

# ELKAY® SPECIFICATIONS

## Explore Fine Fireclay Undermount Sink Models SWUF28179 Series

### GENERAL

Single bowl kitchen farm sink manufactured from fine fireclay with a durable porcelain glaze. This combination of materials provides a finish that is non-porous and resists staining. Undermount.

### DESIGN FEATURES

Bowl Depth: 9-1/4" (235mm).

Material: Fine fireclay with porcelain glaze.

Color Options: Gloss White (WH) or Biscuit (BI).

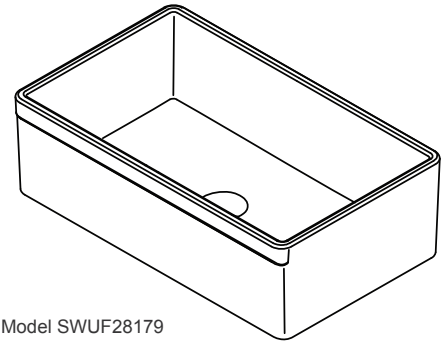
### OTHER

Drain Opening: 3-1/2" (89mm).

Note: All Elkay undermount sinks are designed to affix to the underside of any solid surface countertop.

Installation: Support frame under sink (not furnished) is necessary.

Sink complies with ASME A112.19.2 / CSA B45.1.



Model SWUF28179

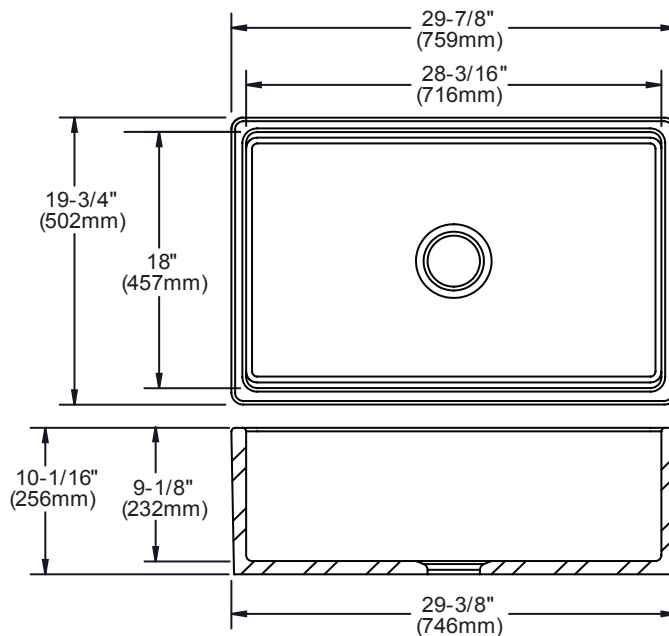
### SINK DIMENSIONS\*

Model Number	Overall			Inside Bowl			Drain Opening	Cutout in Countertop	Minimum Cabinet Size
	L	W	D	L	W	D			
SWUF28179XX	29 <sup>7</sup> / <sub>8</sub> (759mm)	19 <sup>3</sup> / <sub>4</sub> (502mm)	10 <sup>1</sup> / <sub>16</sub> (256mm)	28 <sup>3</sup> / <sub>16</sub> (716mm)	18 (457mm)	9 <sup>1</sup> / <sub>8</sub> (232mm)	3 <sup>1</sup> / <sub>2</sub> (89mm)	Use sink as template	33 <sup>†</sup> (838mm)

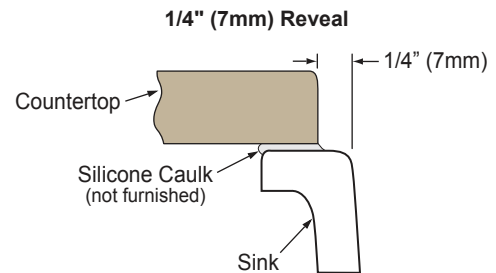
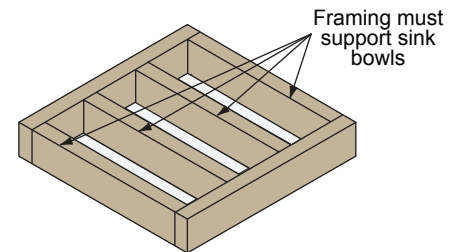
\*Length is left to right. Width is front to back.

†Due to the size and installation method, a custom cabinet may be required.

Due to the manufacturing process, the sink dimensions are approximate and may vary.



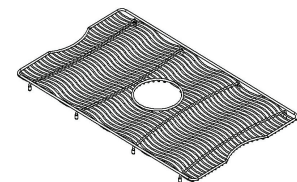
### INSTALLATION PROFILE



Designed to affix to the underside of any solid surface countertop.

### OPTIONAL ACCESSORIES\*

Model Number	Description	Overall			Material/Finish
		L	W	Depth/Thickness	
LK99	Drain	Fits 3-1/2" (89mm) Drain Opening			Polished Stainless Steel
LKD35CW	Drain	Fits 3-1/2" (89mm) Drain Opening			Polymer/Cameo White
LKS35CW	Drain	Fits 3-1/2" (89mm) Drain Opening			Polymer/Cameo White
LKWEBG2817SS	Bottom Grid	26 <sup>1</sup> / <sub>2</sub> (673mm)	16 (406mm)	1 <sup>1</sup> / <sub>4</sub> (32mm)	Polished Stainless Steel



LKWEBG2817SS

In keeping with our policy of continuing product improvement, Elkay reserves the right to change product specifications without notice. Please visit [elkayusa.com](http://elkayusa.com) for most current version of Elkay product specification sheets.

This specification describes an Elkay product with design, quality and functional benefits to the user. When making a comparison of other producers' offerings, be certain these features are not overlooked.