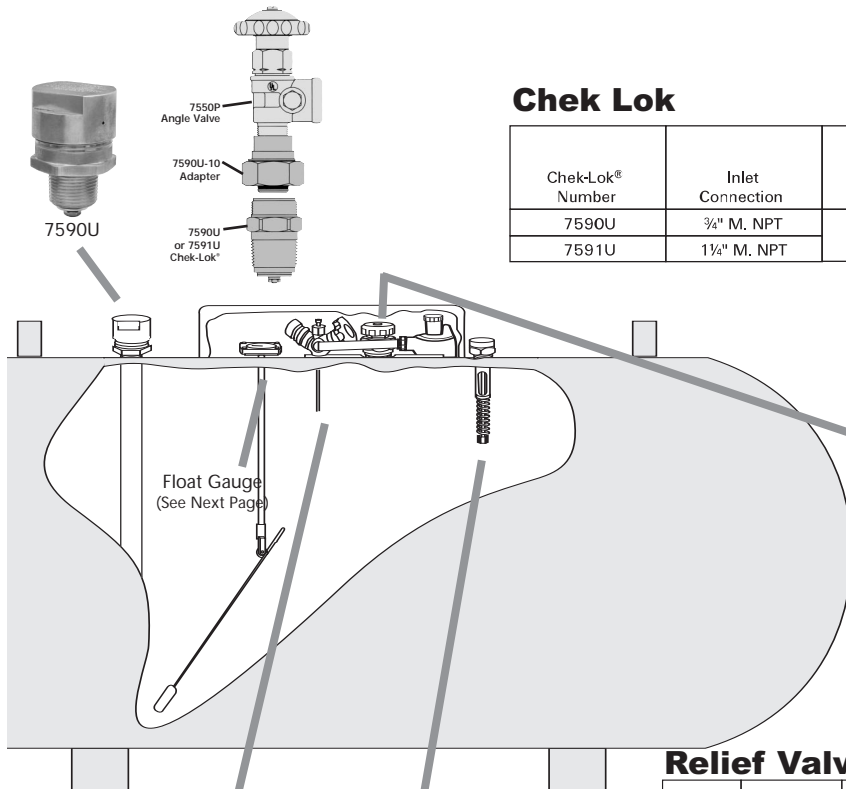


ASME Tank Refurbish

Make sure you are thoroughly trained before you attempt any ASME tank maintenance. Improper conditions or procedures can cause accidents resulting in property damage and personal injury.

Tank configuration shown is appropriate for tanks built since the mid-1970's. If yours does not match, please call the Gas Equipment Company location nearest you and we will be glad to help.



Chek Lok

Chek-Lok® Number	Inlet Connection	Outlet Connection	Approximate Closing Flow, Liquid GPM (Propane)	Adapters
7590U	¾" M. NPT	1½" UNF	20	7590U-10
7591U	1½" M. NPT		35	7590U-20



Filler Valve

Part Number	ACME Hose Connection	Tank Connection M. NPT
7647SC	1¾"	¾"
7579	1¾"	1¼"
3174-9P	Cap	
3174-93L	Cap w/ Lanyard	

Filler Valve Repair Kits:
 For 7579: 7579-80
 Contains: Gaskets, seat disc and retainer assembly and spring.
 For 7647: 7647-80
 Filler Valve Washers Pkg. of 25 A2697-20R

Relief Valves

Part Number	Start To Discharge Setting PSIG	Container Connection M. NPT	Flow Capacity SCFM/Air		Suitable for Tanks w/Surface Area Up To:	Rain Caps
			UL (At 120% of Set Pressure)	ASME (At 120% of Set Pressure)		
7583G	250	¾"	1980	1806	80 Sq. Ft.	7583-40X
8684G		1"	2620	2565	113 Sq. Ft.	8684-40
8685G		1¼"	4385	4035	212 Sq. Ft.	7583-40X
3132G			4130	—	200 Sq. Ft.	3132-54

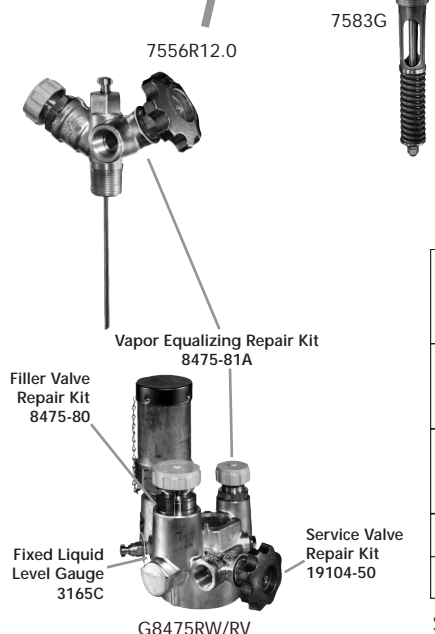
To calculate approximate outside surface area (OSSA) in Square Feet:
 NOTE: Values to be in Feet
 1. Cylindrical container with hemispherical heads:
 Area = Overall length X outside diameter X 3.1416
 2. Cylindrical container with semi-ellipsoidal heads:
 Area = (Overall length + .3 outside diameter) X outside diameter X 3.1416
 3. Spherical container: Area = Outside diameter squared x 3.1416

Approximate OSSA For Tanks with hemispherical heads
250 gal = 60 S.F.
320 gal = 75 S.F.
500 gal = 98 S.F.
1000 gal = 173 S.F.

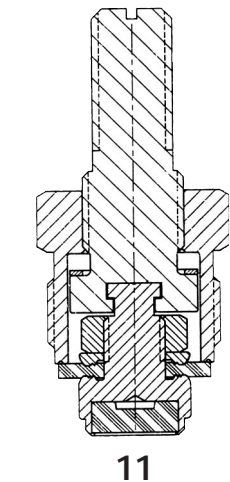
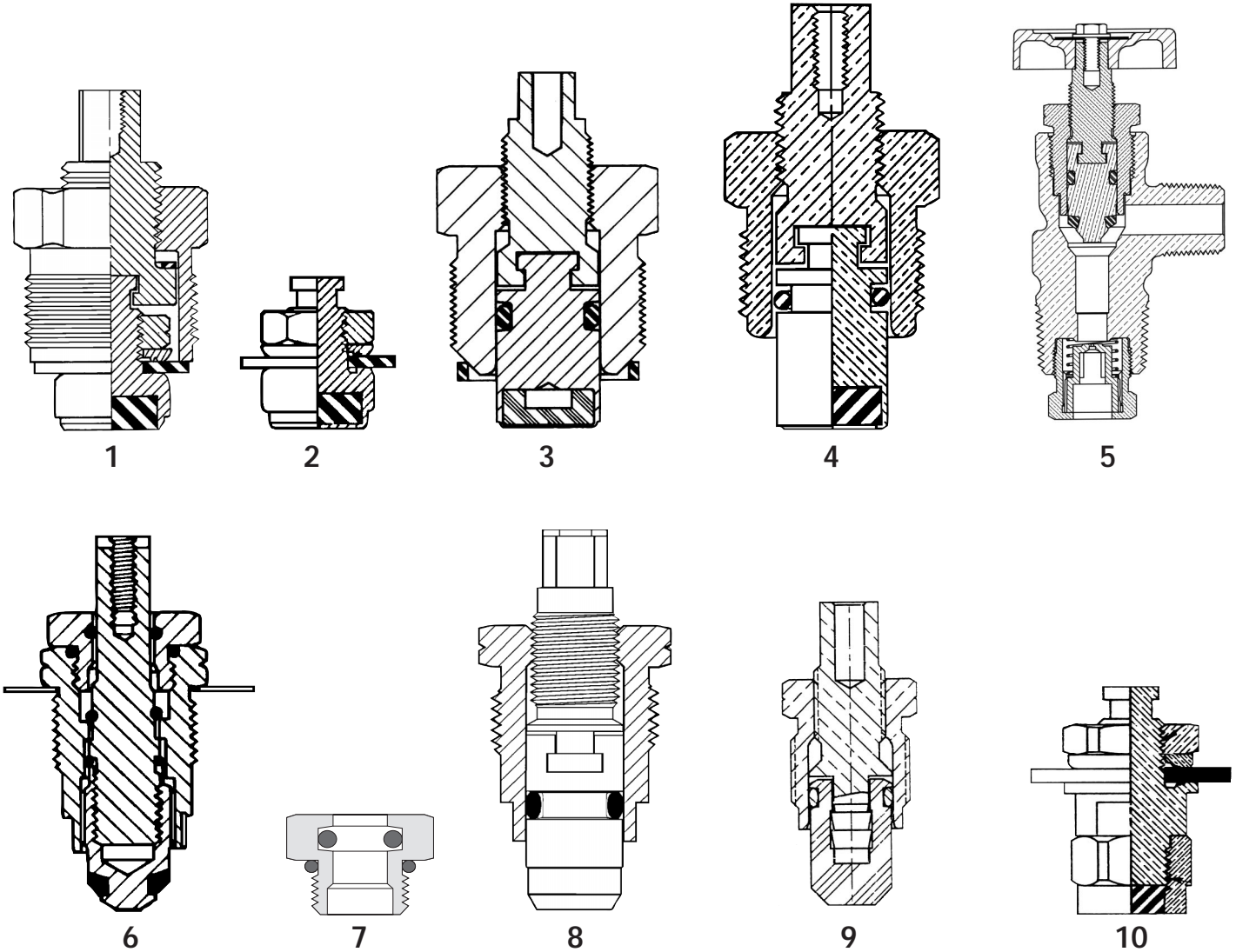
Multivalves

Part Number	Container Connection	Service Connection	Filling Connection	Vapor Equalizing Connection	Float Gauge Flange Opening	Fixed Liquid Level Vent Valve Style	Pressure Relief Valve Setting	For Use In Containers w/Surface Area Up To:
G8475RV	2 ½" F. NPT	F. POL (CGA 510)	1¾" M. ACME	1 ¼" M. ACME	Fits "JUNIOR" Size	Knurled	250 PSIG	83 sq. ft. Above ground
G8475RW			1¾" M. ACME					276 sq. ft. Underground
7556R12.0	¾" M. NGT		N/A		N/A		N/A	192 sq. ft. Above ground
8593AR16.0	1 ½" M. NPT		1¾" M. ACME		N/A		N/A	639 sq. ft. Underground

Service Valve Repair Kit for G8475RV, RW -7556R, 8593A — 19104-50 —
 Contains: MultiBonnet assembly, handwheel, nameplate, and self-tapping screw.
 Service Valve Repair Kit Prior to 1962 — 8100-50 — Contains: Bonnet assembly.
 Service Valve Repair Kit for 1470, 1480 Series, 2593/K, 2594/K Series —3100-81K —
 Contains: Bonnet and stem assembly



Underground Multivalve



11

Service Valve Repair Kits			
Figure No.	Part No.	Description	Fits Valve
1	3100-80A	Bonnet	RegO 3100 & 7100 Series
2	3100-80B	Seat	RegO 3100 & 7100 Series
3	3100-81K	Conversion assembly. Converts 3100-80A from diaphragm to "O" Ring Seal.	
4	8100-50	Bonnet	RegO 8100 Series
5	19101-50	Bonnet	RegO 9100 Series Forklift
6	19104-50	Bonnet	RegO 9100 Series
7	19104-80	Packing for 19104-50 multibonnet	
8	19100-50B	Bonnet	RegO 9100 Series
9	903-50	Bonnet	RegO 900 Series
10	7128-5	Dia. Assy	Old style 2400 & 2500 series multivalve
11	7130BR-1	Bonnet	John Deere OEM

Inlet Nipple Replacement Kits for LV4403 Series Regulators manufactured before 1999 and LV5503 Series Regulators manufactured before 2001				
Kit Number	For Use On		Inlet Connection	Orifice
2503-12-80	LV5503C9		CGA 510 (POL)	7/32"
2503-16-80	LV5503B9			1/4"
4403-16-80	LV4403SR9V9 LV4403SR96	LV4403TR9V9 LV4403TR96		
B4403-16-80	LV4403N4 LV4403SR4 LV4403TR9	LV4403UR4 LV4403V4 LV4403Y4VI	1/2"	#28 Drill
B4403-20-80	LV4403B4 LV4403B46	LV4403B46R LV4403C4		
C4403-20-80	LV4403B66	LV4403B66R	3/4"	

Inlet Nozzle Replacement Kits for LV4403 Series Regulators manufactured after 1999 and LV5503 Series Regulators manufactured after 2001				
Kit Number	For Use On		Inlet Connection	Orifice Size
4403-16-80	LV4403SR9 LV4403SR96 LV4403TR9	LV4403TR96 LV4403UR9 LV4403V9	F. POL	1/4"
B4403-16-80	LV4403SR4 LV4403TR4 LV4403UR4	LV4403Y4 LV4403Y46R LV5503B4 LV5503BG4	1/2"	
B4403-20-80	LV4403B4 LV4403B46	LV4403B46R LV44036C4		3/4"
C4403-16-80	LV5503B6		1/4"	
C4403-20-80	LV4403B66 LV4403B66R		#28 Drill	
C-5503-18-80	LV5503B8 LV5503Y6	LV5503Y8		9/32"

Multivalves - Bonnet Assemblies		
Part Number	Kit Number	Kit Contents
6532D Series 6533D Series 6542D Series 6543D Series	903-50	Bonnet; stem & seat disc assembly; large handwheel; self-tapping screw
	903-51	Bonnet; stem & seat disc assembly; large handwheel; self-tapping screw
6532A Series 6533A Series 6542A Series 6543A Series 6555D Series 7556V Series 8555D Series 8555DL Series	19100-50B	Bonnet; stem and o-ring assembly; handwheel; self-tapping screw
	19104-50	Complete MultiBonnet assembly-bonnet assembly; handwheel; nameplate; self-tapping screw
6532R Series 6533R Series 6542R Series 6543R Series 6555R Series 7556R Series G8475R Series 8555R Series 8593AR16.0 Series 9101R Series	19104-80	Upper packing with seal rings - For MultiBonnet only

Cylinder and Service Valves		
Part Number	Kit Number	Kit Contents
901 Series 903 Series 9106CO	903-50	Bonnet; stem and disc assembly; large handwheel; self-tapping screw
	903-51	Bonnet; stem and disc assembly; small handwheel; self-tapping screw
9101 Series 9107K8A	19100-50B	Bonnet; stem and disc assembly; small handwheel; self-tapping screw
	19104-50	Complete MultiBonnet assembly-bonnet assembly; handwheel; nameplate; self-tapping screw
3100 Series (Obsolete) 7100 Series (Obsolete)	3100-81K Conversion Kit	Bonnet and stem assembly; gasket (Conversion Assembly)
	3100-80A	Diaphragm; bonnet and stem assembly
	3100-80B	Diaphragm assembly, back seat; washer
9101P5 P5H	19100-50B	Bonnet; stem and seat disc assembly; large handwheel; self-tapping screw
	19101-50	Bonnet; stem and seat disc assembly; small handwheel; self-tapping screw

Charging Manifolds		
Part Number	Kit Number	Kit Contents
7177 Control Valve	7177-50	Diaphragm; gasket; o-ring; seat disc; washer
7188 Master Cylinder	7188-50	Hydraulic fluid; o-rings; piston; spring; trip latch

Check Connectors		
Part Number	Kit Number	Kit Contents
7141M	7141M-50	Check assembly; gasket; o-ring; retaining ring

Duoport and Multiport Relief Valve Manifolds		
Part Number	Kit Number	Kit Contents
8542G AA8542 Series	8540-50	Bleeder valve assemblies; packing gland; set screw; washer; gasket; key
A/AA8560 Series A/AA8570 Series	8560-50	Bleeder valve assemblies; seat ring assemblies; pressure seal rings; packing gland; jam ring; washer; gasket

Multi Purpose and Transfer Valves		
Part Number	Kit Number	Kit Contents
A8016D Series A8017D Series A8018D Series	A8016B-50	Gaskets; jam ring; o-ring; pressure seal rings; seat disc; washer
A8017DH A8018DH	A8017BH-20R	Bonnet stem and seat disc assembly; gasket

Multivalves - Filler Valve		
Part Number	Kit Number	Kit Contents
6532 Series 6533 Series 6542 Series 6543 Series 8555 Series* <small>*(Mfd. Oct. 1990 or before)</small> 8555DL Series	6542B-50 w/ upper body	Gaskets; spring; spring guide; stem and seat disc assembly; upper body
	6542B-80 w/o upper body	Gaskets; spring; spring guide; stem and seat disc assembly
6555 Series 8555 Series* <small>*(Mfd. after Oct. 1990)</small>	8555-50 w/ upper body	Gaskets; spring; spring guide; stem and seat disc assembly; upper body
	8555-80 w/o upper body	Gaskets; spring; spring guide; stem and seat disc assembly
G8475 Series 8596AR16.0	8475-50 w/ upper body	Gaskets; seat disc & retainer assembly; spring; upper body
	8475-80 w/o upper body	Gaskets; seat disc & retainer assembly; spring

Multivalves - Vapor Equalizing		
Part Number	Kit Number	Kit Contents
7556V Series G8475 Series 8593AR16.0	8475-51A	Body; gaskets; spring; stem and seat disc assembly
	8475-81A	Gaskets; spring; stem and seat disc assembly

Filler Valves		
Part Number	Kit Number	Kit Contents
7547 Series (Obsolete)	7547B-80	Gaskets; spring; seat disc & retainer assembly
6579 7579	7579-50 w/ upper body	Gaskets; seat disc & retainer assembly; spring; upper body
	7579-80 w/o upper body	Gaskets; seat disc & retainer assembly; spring
7647 Series	7647B-80	Gaskets; spring; seat disc & retainer assembly

Filling Connectors		
Part Number	Kit Number	Kit Contents
7193K-10B	7193K-50	7193K-51 assembly; adjusting screw; nut; spring; tee
	7193K-51	Check body and disc assembly; gasket nipple tailpiece nipple; slip washer

Quick Acting Hose End Valves		
Part Number	Kit Number	Kit Contents
A7707 Series A7708 Series	A7707-50	Gaskets; groove pin; jam ring
	A7707-75	Bonnet assembly; packing; seat disc & retainer; stem; washers

Quick Acting Valves		
Part Number	Kit Number	Kit Contents
7554L Series	7554L-20	Bonnet Assembly
7554S Series	7554S-20	
7901 Series	7901T-50	Bonnet Assembly; gasket lever
	7901T-80	Gasket; o-ring; seat retainer assembly
A7553A	A7553A-50	Gaskets; o-ring; roll pin; seat disc; spring; stem assembly

Springs Kits for Manual Internal Valves		
Part Number	Kit Number	Kit Contents
A3212A Series A3212R Series A3212 RT Series	A3212R- K105 A3212R-175 A3212RK- 250	O-ring; ID plate; spring
A3213A Series A3213T Series	A3213A- K150 A3213A- K200 A3213A- K300 A3213A- K400	

Manual Internal Valves		
Part Number	Kit Number	Kit Contents
A3209A	A3209A-50	Bearing; cam; gasket; main seat disc assembly; retaining ring; seal o-ring; seat disc
A3209R050 A3209R080	A3209R-50	
A3210A065	A3210A-50	
A3212A Series	A3212A-50	Bearing; cam; gasket; o-rings; seat disc; stem packing
A3212R Series A3212RT Series	A3212R-50	
A3213A Series A3213T Series	A3213A-50	
A3217F Series	A3217F-50	
	A3217F-80 O-Ring Flange	Cotter pin; dust seal; inner & outer stem bearing; jam ring; main & pilot seat disc; poppet seal o-ring; retaining ring; roll pins (2); seat o-ring; stem o-ring; stem seals (3); upper & lower flange seal o-ring; wear button
	A3217F-80G Gasket Flange	Dust seal; inner stem bearing; jam ring; lower flange seal gasket; main seat disc; outer stem bearing; pilot seat disc; poppet seal o-ring; retaining ring; roll pin (2) seat o-ring; stem o-ring; stem seals (3); upper flange seal gasket; wear button
A3219F Series	A3219F-80 O-Ring Flange	Bumper; cotter pins (3); dirt seal; inner & outer stem bearing; lever release spring; main seat disc; poppet seat disc; pivot pin locknut; poppet bearing; seal gland gasket; seat seal o-ring; stem jam ring; stem o-ring; stem seal rings (3); stop screw; upper & lower flange seal o-ring
	A3219F-80G Gasket Flange	Bumper; cotter pins (3); dirt seal; inner & outer stem bearing; lever release spring; main seat disc; poppet seat disc; pivot pin locknut; poppet bearing; seal gland gasket; seat seal o-ring; stem jam ring; stem o-ring; stem seal rings (3); stop screw; upper & lower flange seal o-ring

Shut Off Valves		
Part Number	Kit Number	Kit Contents
TA7034LP TA7034P	TA7034-50	Gaskets; jam ring; o-ring; pressure seal rings; seat disc; washer
A7505AP A7506AP	A7505-50 7505A-20	Complete bonnet assembly
TA7505AP TA7506AP	TA7034-50	Gaskets; jam ring; o-ring; pressure seal rings; seat disc; washer
A7507AP A7508AP	A7507-50 7507A-20	Complete bonnet assembly
TA7507AP	TA7507-50	Gaskets; jam ring; o-ring; pressure seal rings; seat disc; washer
A7509BP A7510BP	A7509-50 7509B-20	Complete bonnet assembly
TA7509BP TA7510BP	TA7509B-50	Gaskets; jam ring; o-ring; pressure seal rings; seat disc; washer
A7511AP A7511FP A7512AP A7512FP	A7511-50 7511A-20	Complete bonnet assembly
TA7511AP TA7511FP TA7512AP TA7512FP	TA7511A-50	Gaskets; jam ring; o-ring; pressure seal rings; seat disc; washer
A7513AP A7513FP A7514AP A7514FP	A7513-50	Complete bonnet assembly
A7513AP A7514AP	7513A-20	
A7513FP A7514FP	A7513F-20	
TA7513AP TA7513FP TA7514AP TA7514FP	TA7513A-50	Gaskets; jam ring; o-ring; pressure seal rings; seat disc; washers
A7517AP A7517FP A7518AP A7518FP	A7515-50 A7515-20	Gaskets; jam ring; o-ring; pressure seal rings; roll pin; seat disc; washers Complete bonnet assembly
TA7517AP TA7517FP TA7518AP TA7518FP	TA7515A-50	Gaskets; jam ring; o-ring; pressure seal rings; roll pin; seat disc; washers
A7704 A7705 A7706	7705-50	Flange packing; friction washer; gaskets; seat disc
TA7894P	TA7894-50	Gaskets; jam ring; o-ring; pressure seal rings; seat disc; washer

Flomatic Valves		
Part Number	Kit Number	Kit Contents
A7884 A7883F A7884F	A7883F-50	Stem assembly kit, bleeder assembly, cylinder cap screws, upper and lower piston cap screws, lock washers, filters, springs, block vee packing, X-seal, gaskets, O-rings, retaining ring, insert roll pin, screw, seal, cap
A7883F	A7883F-80	Retaining ring, seat disc, insert, block vee packing, filters, x-seals, cylinder cap screws, O-rings, gaskets
A7884F	A7884F-80	
A7883F	A7883F-150	X-seal, seat disc, gaskets
A7884F	A7884F-150	

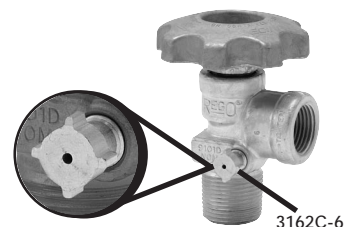
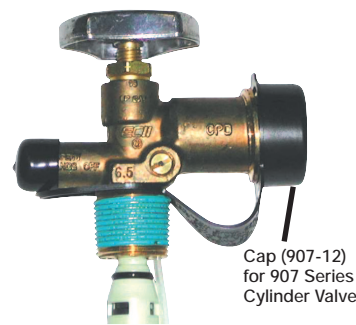
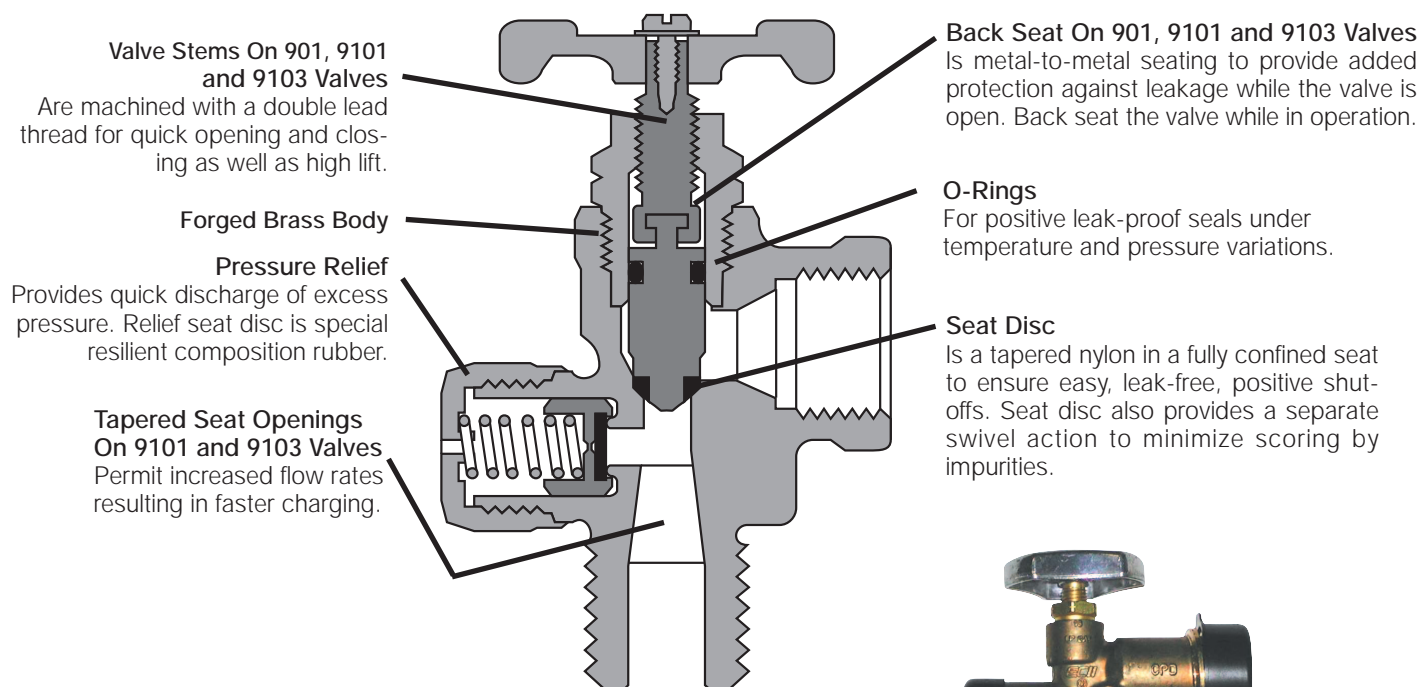
Vapor Return Valves		
Part Number	Kit Number	Kit Contents
7573A	7573A-81	Gaskets; spring; seat disc & retainer assembly

Pull-Away Couplings		
Part Number	Kit Number	Kit Contents
A2141A6 A2141A6L	A2141A6-50 A2141A6M	O-ring Male coupling
A2141A8 A2141A8L	A2141A8-50 A2141A8M	O-ring Male coupling
A2141A10	A2141A10-50	O-ring
	A2141A10M	Male coupling
A2141A16	A2141A16-50	O-ring
	A2141A16M	Male coupling

Transfer Valves		
Part Number	Kit Number	Kit Contents
7550P 7550PX 7555P	7550-15	Bonnet; retainer assembly; cap flange packing; bushing
A7550P A7550PX A7555P	A7550-15	Bonnet; stem; seat disc retainer assembly; flange packing; bushing; cap

Repair Kits - Service Valves

Make sure you are thoroughly trained before you attempt any ASME tank maintenance. Improper conditions or procedures can cause accidents resulting in property damage and personal injury.

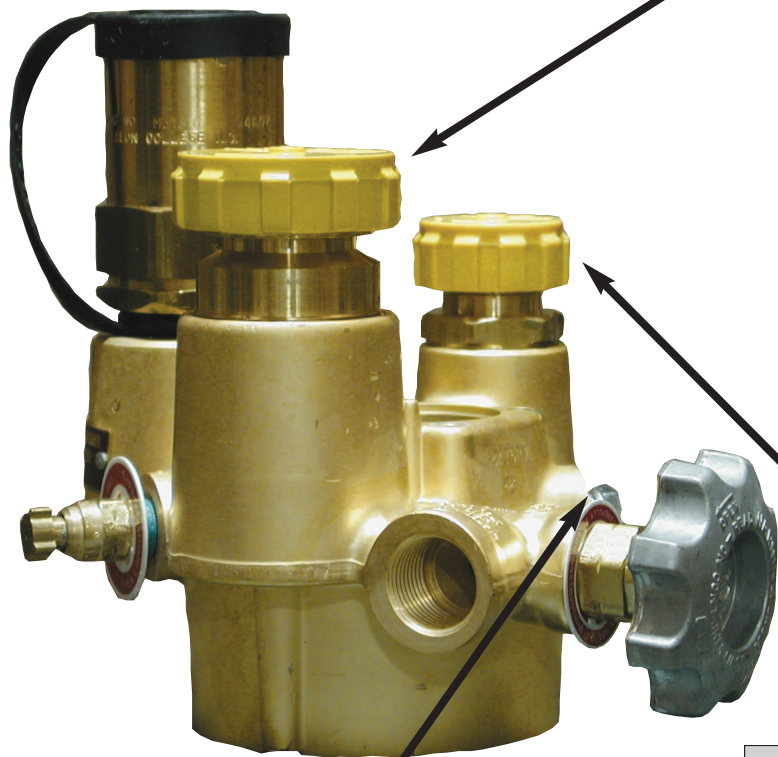


Cylinder and Service Valves		
Part Number	Kit Number	Kit Contents
901 Series 903 Series 9106CO	903-50	Bonnet; stem and disc assembly; large handwheel; self-tapping screw
	903-51	Bonnet; stem and disc assembly; small handwheel; self-tapping screw
9101 Series 9107K8A	19100-50B	Bonnet; stem and disc assembly; small handwheel; self-tapping screw
	19104-50	Complete MultiBonnet assembly-bonnet assembly; handwheel; nameplate; self-tapping screw
3100 Series (Obsolete) 7100 Series (Obsolete)	3100-81K Conversion Kit	Bonnet and stem assembly; gasket (Conversion Assembly)
	3100-80A	Diaphragm; bonnet and stem assembly
	3100-80B	Diaphragm assembly, back seat; washer
9101P5 P5H	19100-50B	Bonnet; stem and seat disc assembly; large handwheel; self-tapping screw
	19101-50	Bonnet; stem and seat disc assembly; small handwheel; self-tapping screw

WARNING: Under normal conditions, the useful safe service life of a pressure relief valve is 10 years from the original date of manufacture. However, the safe useful life of the valve may be shortened and replacement required in less than 10 years depending on the environment in which the valve lives. Inspection and maintenance of pressure relief valves is very important. Failure to properly inspect and maintain pressure relief valves could result in personal injuries or property damage.

Repair Kits - Multivalves, Filler, & Vapor Valves

Make sure you are thoroughly trained before you attempt any ASME tank maintenance. Improper conditions or procedures can cause accidents resulting in property damage and personal injury.

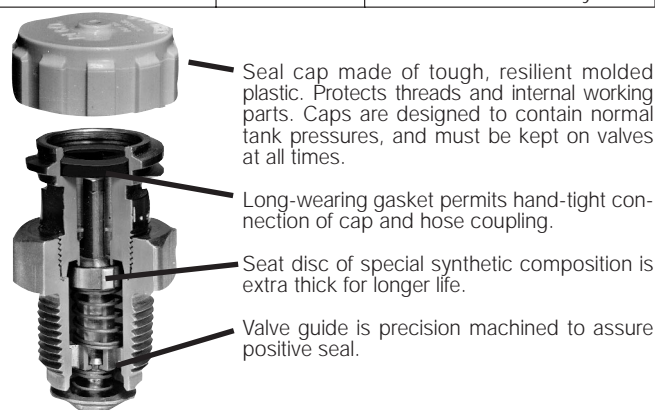


Multivalves - Filler Valve		
Part Number	Kit Number	Kit Contents
6532 Series 6533 Series 6542 Series 6543 Series 8555 Series* <small>*(Mfd. Oct. 1990 or before)</small> 8555DL Series	6542B-50 w/ upper body	Gaskets; spring; spring guide; stem and seat disc assembly; upper body
	6542B-80 w/o upper body	Gaskets; spring; spring guide; stem and seat disc assembly
6555 Series 8555 Series* <small>*(Mfd. after Oct. 1990)</small>	8555-50 w/ upper body	Gaskets; spring; spring guide; stem and seat disc assembly; upper body
	8555-80 w/o upper body	Gaskets; spring; spring guide; stem and seat disc assembly
G8475 Series 8596AR16.0	8475-50 w/ upper body	Gaskets; seat disc & retainer assembly; spring; upper body
	8475-80 w/o upper body	Gaskets; seat disc & retainer assembly; spring

Multivalves - Vapor Equalizing		
Part Number	Kit Number	Kit Contents
7556V Series G8475 Series 8593AR16.0	8475-51A	Body; gaskets; spring; stem and seat disc assembly
	8475-81A	Gaskets; spring; stem and seat disc assembly

Vapor Return Valves		
Part Number	Kit Number	Kit Contents
7573A	7573A-81	Gaskets; spring; seat disc & retainer assembly

Multivalves - Service Valves		
Part Number	Kit Number	Kit Contents
6532D Series 6533D Series 6542D Series 6543D Series	903-50	Bonnet; stem & seat disc assembly; large handwheel; self-tapping screw
	903-51	Bonnet; stem & seat disc assembly; small handwheel; self-tapping screw
6532A Series 6533A Series 6542A Series 6543A Series 6555D Series 7556V Series 8555D Series 8555DL Series	19100-50B	Bonnet; stem and o-ring assembly; handwheel; self-tapping screw
6532R Series 6533R Series 6542R Series 6543R Series 6555R Series 7556R Series G8475R Series 8555R Series 8593AR16.0 Series 9101R Series	19104-50	Complete MultiBonnet assembly-bonnet assembly; handwheel; nameplate; self-tapping screw
	19104-80	Upper packing with seal rings - For MultiBonnet only

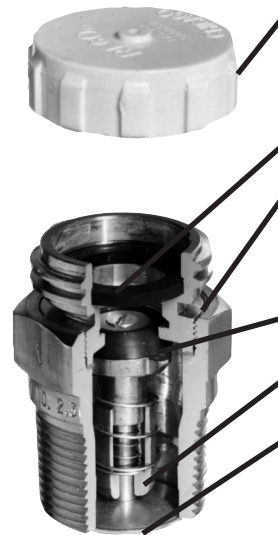


WARNING: Under normal conditions, the useful safe service life of a pressure relief valve is 10 years from the original date of manufacture. However, the safe useful life of the valve may be shortened and replacement required in less than 10 years depending on the environment in which the valve lives. Inspection and maintenance of pressure relief valves is very important. Failure to properly inspect and maintain pressure relief valves could result in personal injuries or property damage.

Repair Kits - Multivalves, Filler, & Vapor Valves (con't.)

Filler Valves		
Part Number	Kit Number	Kit Contents
7547 Series (Obsolete)	7547B-80	Gaskets; spring; seat disc & retainer assembly
6579 7579	7579-50 w/ upper body	Gaskets; seat disc & retainer assembly; spring; upper body
	7579-80 w/o upper body	Gaskets; seat disc & retainer assembly; spring
7647 Series	7647B-80	Gaskets; spring; seat disc & retainer assembly

Spare Gasket Ordering Information	
ACME	Part Number
1 1/4"	A2797-20R
1 3/4"	A2697-20R
2 1/4"	A3184-8R
3 1/4"	A3194-8R



Seal cap made of tough, resilient molded plastic. Protects threads and internal working parts. Caps are designed to contain normal tank pressures, and must be kept on valves at all times.

Long-wearing gasket permits hand-tight connection of cap and hose coupling.

Safety groove is designed to shear below the ACME thread, leaving the valve seats closed and unaffected if the delivery truck pulls away with the hose connected.

Seat disc of special synthetic composition is extra thick for longer life.

Valve guide is precision machined to assure positive seal.

Exclusive swing-away lower back check valve for extra fast filling is provided on Models 6579 and 6587. Differs from conventional design by swiveling to a vertical position when opened.

Obsolete Multivalve Repair Parts					
Multivalve Part No.	Replaced by	Container Connection	Repair Kits		
			Service Valve	Filler Valve	Vapor Equalizing
1470LV, 1480V, 1470W, 1480W	G8475RV, G8475RW	2-1/2"M.	3100-80A, bonnet-diaphragm-stem 3100-80B, diaphragm, washer 3100-81K, conversion, bonnet assy.	1475-80, kit	2418-51, assy.
2180	8555 for 200# Cyl, 6543 for 420# Cyl	3/4"	no repair parts available, replace due to age		
2418	G8475RV	2-1/2"F.	7128-5, diaphragm assy	n/a	2418-51, assy.
2465, 2486	G8475RV	2-1/2"F.	7128-5, diaphragm assy	n/a	
2550	G8475RV	2-1/2"M.	7128-5, diaphragm assy	n/a	2418-51, assy.
2555 Series	6532, 6533, 6542, 6543	3/4", 1"	replace due to age		
2557 Series	no replacement	1-1/2"	no repair parts available		
2577	6532, 6533, 6542, 6543	3/4", 1"	no repair parts available, replace due to age		
2580, 2581	8555D/8555R	3/4"	no repair parts available		
2593, 2594	8593AR16.0	1-1/2"	3100-80A, bonnet-diaphragm-stem 3100-80B, diaphragm, washer 3100-81K, conversion, bonnet assy.	1475-80, kit	2418-51, assy.
2593K, 2594K	8593AR16.0 not a direct replacement	1-1/2"	3100-80A, bonnet-diaphragm-stem 3100-80B, diaphragm, washer 3100-81K, conversion, bonnet assy.	1475-80, kit	2418-51, assy.
6477A	n/a	2-1/2"M.	8100-50, bonnet assy., handwheel	8475-50, -80	8475-51A, kit
6532D, 6533D, 6542D, 6543D		3/4", 1"	903-50 (lg), 903-51 (sm), kits	6542-50, -80	
7555	8555D/R	3/4"	replace due to age		
7556 mfg before 1962		3/4"	8100-50, bonnet assy., handwheel		
G8475 mfg before 1962		2-1/2"F.	8100-50, bonnet assy., handwheel	8475-50, -80	8475-51A, kit
8477 mfg before 1962	G8475RV	2-1/2"F.	8100-50, bonnet assy., handwheel	8475-50, -80	8475-51A, kit
8484 mfg before 1962	no replacement*		8100-50, bonnet assy., handwheel		8475-51A, kit
8484A	no replacement*		19100-50B/19104-50, kit		8475-51A, kit
8555 mfg before 1962	8555D/R		no repair parts available, replace due to age		
8555S			903-50 (lg), 903-51 (sm), kits	6542B-50, -80	
8593K, 8594K mfg before 1962	8593AR16.0		8100-50, bonnet assy., handwheel	8475-50, -80	8475-51A, kit
8594	8593AR16.0		8100-50, bonnet assy., handwheel		
8594/K mfg after 1962	8593AR16.0		19100-50B/19104-50, kit	8475-50, -80	8475-51A, kit

*Tanks equipped with obsolete 8484 & 8484A series valve can be retained in service. Please call your local GEC Branch for information.