

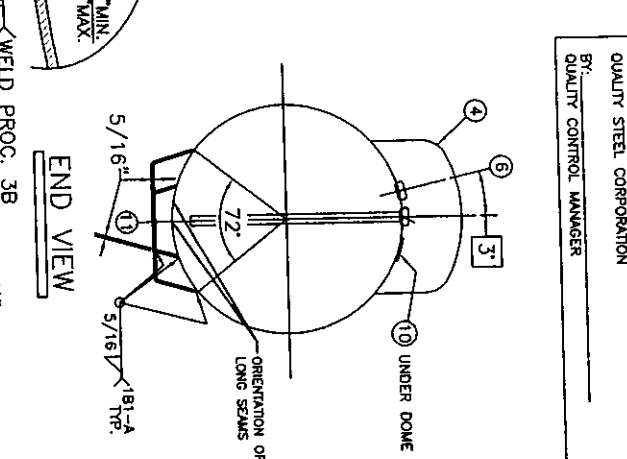
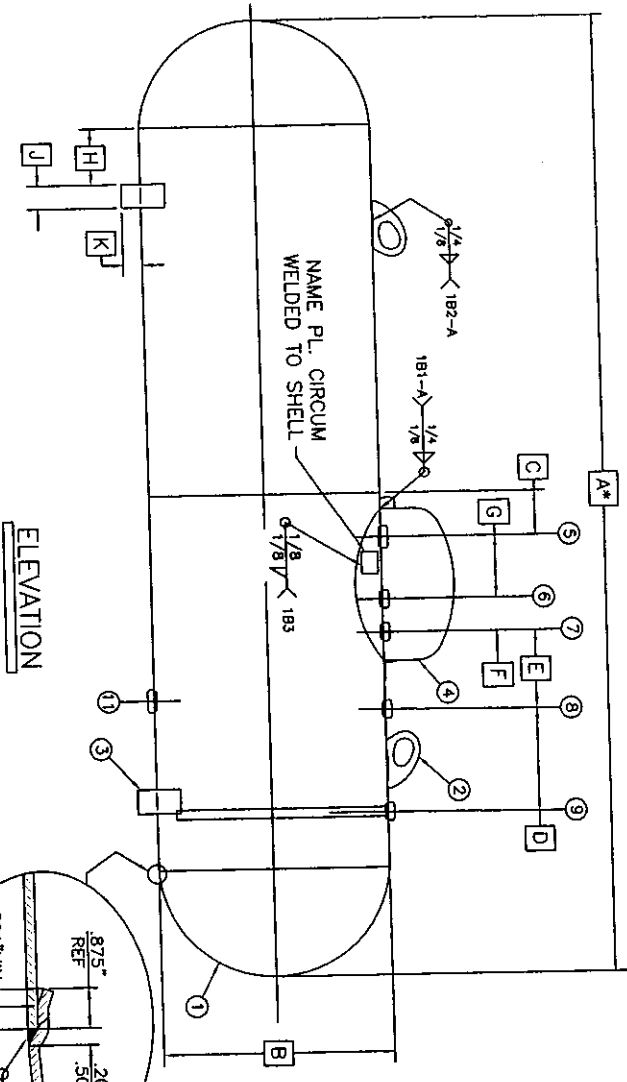
THIS IS TO CERTIFY THAT THIS VESSEL IS CONSTRUCTED, TESTED, INSPECTED AND MARKED TO INDICATE COMPLIANCE WITH THE MOST CURRENT EDITIONS AND ADDENDUMS OF THE ASME BOILER AND PRESSURE CODE, SECT. VIII, DIV. 1 QUALITY STEEL CORPORATION

BY: _____ QUALITY CONTROL MANAGER

VESSEL SPECIFICATION

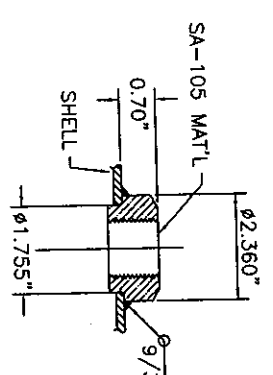
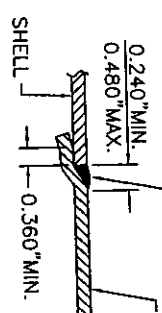
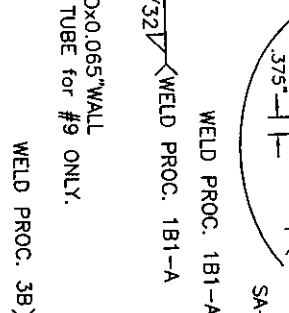
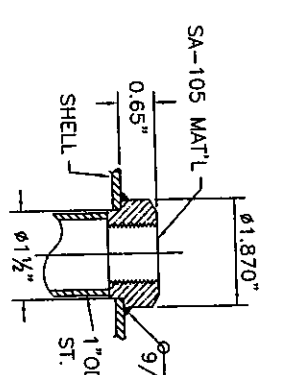
ASME SECT. VIII, DIV. 1
2004 EDITION
AND 2006 ADDENDUM

DESIGN CODE	ASME SECT. VIII, DIV. 1 2004 EDITION AND 2006 ADDENDUM
CODE STAMP: "U"	U.L. LISTED
DESIGN CONDITION	WAMP INT. 250 PSIG DESIGN TEMP. 125 F MAX. M.D.M.T. -207 @ 250 PSIG X-RAY RT-2 HYDRO TEST 125 PSIG CONR. ALLOW. NIL IMPACT TESTING NOT REQD PER UG-2010
INSUR	CUSTOMER OTHER: NA
VESSEL MATERIAL	HEADS SA-414C OR SA-285C SHELL SA-414C PIPE CARBON STEEL FLGS SA-105 LIFT LUGS P-1 REG. BRKT SA-36 LEGS SA-36 NAME PL SA-240 STAINLESS STEEL HINGE & HASP ASTM A-569
SURF FIN.	EXPCT PRIMER AND A USER/HAZ TOP COAT WITH RUST INHIBITORS FOR USE WITH U.O. CONTENTS: PETROLEUM GAS
VESSEL DATA	APPROX WEIGHT: 1000 GAL CAP. 1800# OPERATING WEIGHT: 6500# HYDRO TEST WEIGHT: 10150#



DETAIL LONGITUDINAL JOINT

PART. NO.	AQ-7
CAP. GAL.	1000
A	15'-10"
B	40.5"ID
C	5"
D	22"
E	10"
F	3.75"
G	8.75"
H	3"
J	3"
K	2"



HEAD THK.	.201"
SHELL THK.	.240"
SURFACE AREA SQ. FT.	172.0

*DIMEN. "A" CAN BE +4" AND -0"
ALL OTHERS ±1/2"

- NOTES:
- LONGIT. SEAM FULL PENETRATION W/MT1 (a) HEAD TO SHELL SEAM SPOT RT. W/MT1(0)(5)(b)
 - VESSEL TO BE USED FOR NON CORROSIVE SERVICE ONLY.

NO.	DESCRIPTION	ITEM NO.
1	VALVES U.L. APPROVED & W/RT CRN	04-041
2	HEMISPHERICAL HEAD	06-001
3	LIFT LUG	06-001
4	SUPPORT	06-001
5	DOME CONVR ASSY	02-137
6	1 1/4" 3000# ST FLG	03-022
7	FOR FILLER VALVE	03-020
8	FOR MULTIVALVE	03-020
9	1" 3000# STER. FLG FOR UO. LEVEL GAUGE	03-021
10	1 1/4" 3000# ST FLG FOR SAFETY RELIEF VALVE	03-022
11	BRKT FOR REGULATOR MNT WITH STEEL PLUGS (OPN)	06-004

QUALITY STEEL CORP
2914 U.S. HWY 61 / P.O. BOX 248
CLEVELAND, MS 38732-0248

DRAWN BY: K. DALE
DATE: 22-Nov-06
SCALE: NTS
DWG. NO.: 1000 GAS TANK