



Submittal Data Information

Hydro-Sep™

101-137

Effective: October 5, 2009

Supersedes: May 30, 2009

Job: _____ Engineer: _____ Contractor: _____ Rep: _____

ITEM NO.	MODEL NO.

Features

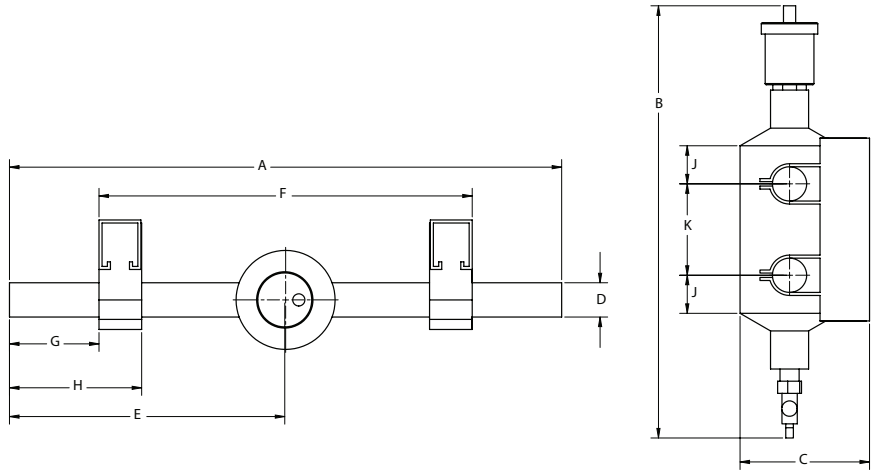
- Small space saving design
- Rugged all copper construction
- Suitable for use with oxygenated water heating systems
- Blow down port for sediment removal
- High quality, industry standard automatic Taco Hy-Vent®
- Wall mounting brackets

Materials of Construction

Body Copper
 Drain valve body Brass
 Air vent body Brass
 Engineered plastics
 BUNA N
 Teflon®

Specifications

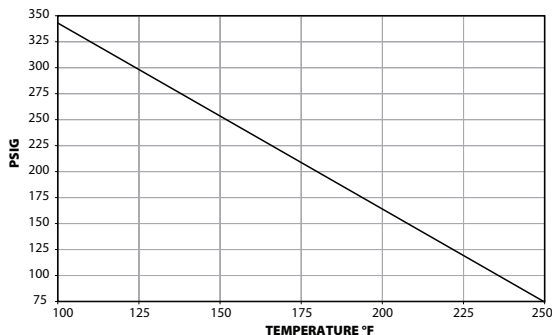
Connections 1" and 1-1/4" Copper Sweat
 Max. Flow 1" (11 GPM)
 1-1/4" (15 GPM)
 Media Water or Glycol up to 50%
 Max. Pressure 350 PSIG
 Max. Temperature 240° F



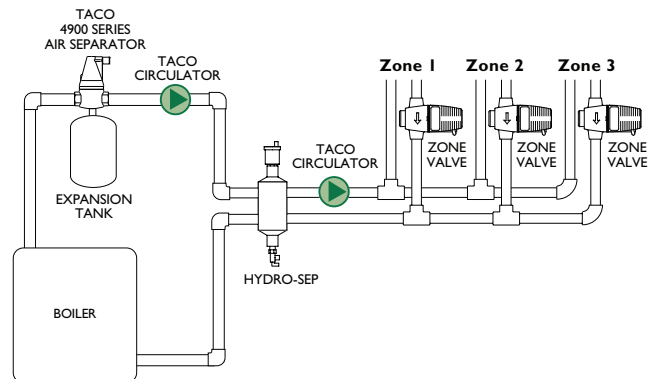
	Model Number HSEP 100-I	Model Number HSEP 125-I
A	18-1/8"	21-1/8"
B	15-1/2"	22-3/16"
C	3-1/2"	4"
D	1.124" - 1.127" OD x .050" Wall	1.375" - 1.377" OD x .055" Wall
E	9-1/16"	10-9/16"
F	12-1/4"	13-1/4"
G	3"	4"
H	4-1/2"	5-1/2"
J	1-1/4"	2-3/4"
K	3"	4"

Dimensions provided for reference only and are subject to change

Pressure/Temperature Chart



Typical Installation



Taco, Inc., 1160 Cranston Street, Cranston, RI 02920 | Tel: (401) 942-8000 | FAX: (401) 942-2360
 Taco (Canada), Ltd., 8450 Lawson Road, Suite #3, Milton, Ontario L9T 0J8 | Tel: (905) 564-9422 | FAX: (905) 564-9436
 Visit our web site: www.TacoComfort.com | Printed in USA | ©2015 Taco, Inc.

