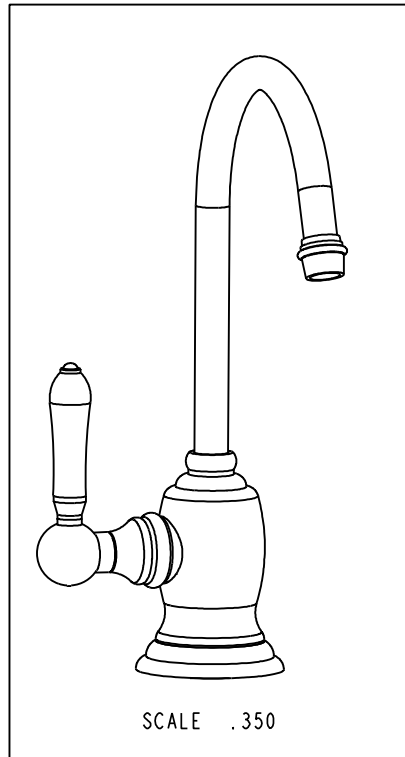


NOTES:

- (N1) 1. FIT / FORM / FUNCTION SHALL FOLLOW PS-E.008.
- 2. APPLY LOCTITE 680.
- 3. CUT AND SHORTEN O-RING BY .13" TO .20" IN LENGTH BEFORE INSTALLING.
- 4. SLIT O-RING BEFORE INSTALLING.
- 5. APPLY LOCTITE 242.
- (N6) 6. CONNECT CLEAR AND RED TUBINGS TOGETHER AND WATER TEST WHOLE UNIT.
- 7. BAG 5-035 IN A SEPARATE BAG.
- (N8) 8. REWORK CARTRIDGE ASSY IF THE HANDLE DOES NOT RETURN TO THE 'OFF' POSITION AUTOMATICALLY AFTER WATER TESTING
- 9. INSTALLATION TORQUE: 8-14 LB-FT.
- 10. INSTALLATION TORQUE: 30 FT- LB.
- 11. LUBRICATE SPRING WITH DOW CORNING III.
- 12. PRE-CRIMPED THESE PARTS TOGETHER. SEE INSTALLATION INSTRUCTION.
- 13. APPLY THIN FILM OF DOW CORNING III.

**14** **INSTALLATION TORQUE 10-14 LB-IN**



**BILL OF MATERIAL (CURRENT LEVEL)**

| ITEM | PT/ASSY | DESCRIPTION                               | TYPE     | QTY. |
|------|---------|---|----------|------|
| 1    | 12716   | ESCUTCHEON                                | PART     | 1    |
| 2    | 50704   | WATER DISP. BODY H (TRAD)                 | PART     | 1    |
| 3    | 50714   | WATER DISP. CAR.T HOLDER                  | PART     | 1    |
| 4    | 50705   | WATER DISP BODY CAP                       | PART     | 1    |
| 5    | 50706   | WATER DISP SPOUT RET RING                 | PART     | 1    |
| 6    | 50713   | SPOUT, WATER DISP. (TRAD.)                | PART     | 1    |
| 7    | 50712   | WATER DISP SPOUT SHELL                    | PART     | 1    |
| 8    | 91382   | O-RING, #2- 012, TEFLON,                  | PART     | 1    |
| 9    | 91217   | O-RING, #2-020, EPDM, 65-75 DURO, NSF 61  | PART     | 1    |
| 10   | 91017   | O-RING, #2- 012, EPDM, 65-75 DURO, NSF 61 | PART     | 2    |
| 11   | 50068   | INSERT, HOSE                              | PART     | 3    |
| 12   | 91378   | TUBE, HIGH TEMP, .250 OD X 4 FT           | PART     | 1    |
| 13   | 91376   | TUBE, RED, .250 OD X 4 FT                 | PART     | 1    |
| 14   | 50066   | COMPRESSION RING, 1/2                     | PART     | 3    |
| 15   | 50768   | RETAINER PLATE                            | PART     | 1    |
| 16   | 91377   | TUBE, BLUE, .250 OD X 4 FT                | PART     | 1    |
| 17   | 50770   | NIPPLE                                    | PART     | 1    |
| 18   | 10174   | NUT, QUICK CONNECT                        | PART     | 1    |
| 19   | 91383   | O-RING, #2- 014, TEFLON, NSF 61           | PART     | 1    |
| 20   | 5-035   | COUPLING & INSERT ASM                     | ASSEMBLY | 1    |
| 21   | 98043   | TAG LABEL, HOT WATER WARNING              | PART     | 1    |
| 22   | 92016   | SCRW, 10-24 X 3/4 SKT HD FLT PT SS        | PART     | 2    |
| 23   | 91100   | O-RING, #2-006, EPDM, 65-75 DURO          | PART     | 3    |
| 24   | 91394   | O-RING, #2-132, EPDM, 65-75 DURO          | PART     | 1    |
| 25   | 5-061   | ADAPTER/CARTRIDGE ASSY                    | ASSEMBLY | 1    |
| 26   | 50708   | WATER DISP HDL BONNET (TRAD)              | PART     | 1    |
| 27   | 12589   | WATER DISP LEVER HUB (TRAD)               | PART     | 1    |
| 28   | 92000   | SCREW 8 - 32 X 1/8 SS                     | PART     | 1    |
| 29   | 92192   | SCRW, 10-32 X 5/8 SKT HD CUP PT SS        | PART     | 1    |
| 30   | 91374   | RED IDENTIFIER                            | PART     | 1    |
| 31   | 12583   | LEVER HANDLE                              | PART     | 1    |

12

12

12

|                   |                                  |             |         |
|-------------------|----------------------------------|-------------|---------|
| TESTING           | -                                | -           | -       |
| ASSEMBLY          | -                                | -           | -       |
| PLATING           | -                                | -           | -       |
| POLISHING         | -                                | NEXT ASSY   | USED ON |
| MACHINING         | -                                | APPLICATION |         |
| TOOLING FIXTURE # | REMOVE ALL BURRS AND SHARP EDGES |             |         |

|                                |                   |
|--------------------------------|-------------------|
| UNITS ARE: INCHES [MM]         |                   |
| TOLERANCES ARE:                |                   |
| FRACTIONS DECIMALS             | ANGLES            |
| ±1/16"                         | .X ±.1 [2.5]      |
|                                | .XX ±.06 [1.5]    |
| (X.XXX) DENOTES CRITICAL DIMS. |                   |
| ALL THREADS ARE CRITICAL       |                   |
| DRAWN                          | VINAY 09/23/16    |
| CHECKED                        | RAVINDRA 09/23/16 |
| APPROVED                       | V. VU 09/23/16    |

**BRASSTECH** 2001 CARNEGIE AVE.  
SANTA ANA, CA 92705  
(949) 417-5207  
INCORPORATED

**HOT WATER DISP, LEVER TRAD**

DWG NO. **1030-5613** REV **A**

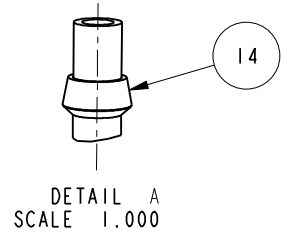
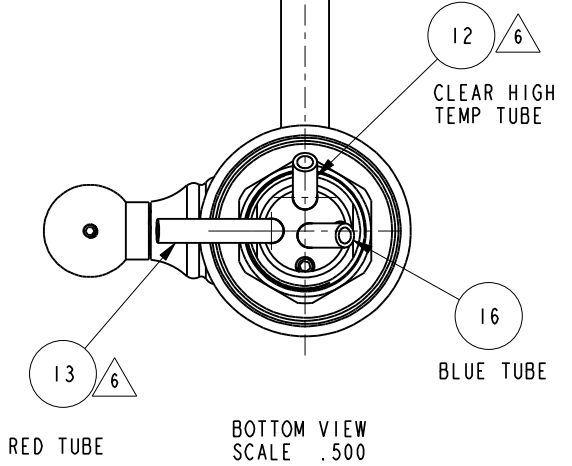
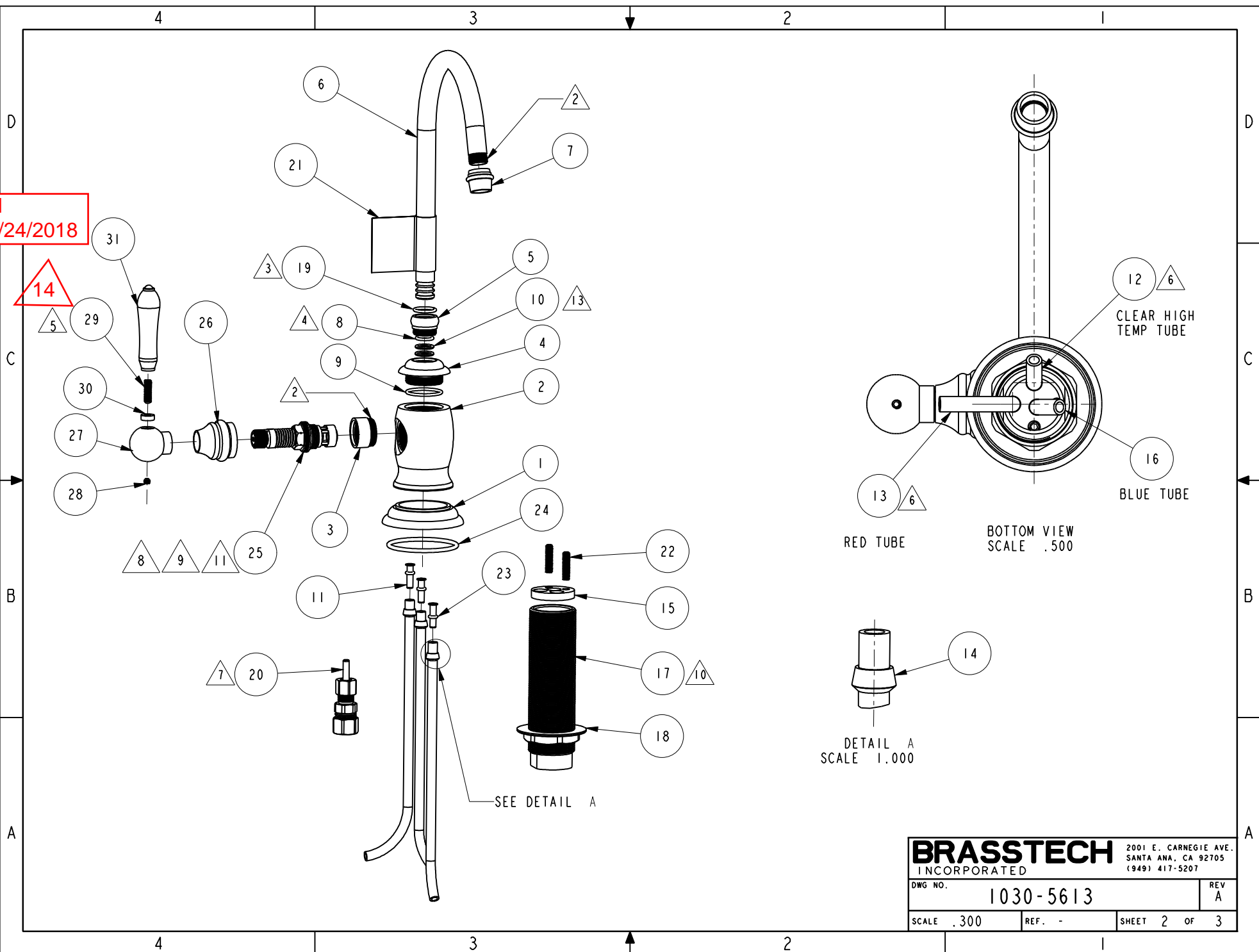
SCALE .350 REF. - SHEET 1 OF 3

COPYRIGHT 2005 BRASSTECH, INC. THESE DRAWINGS AND THE DESIGNS DEPICTED HEREIN ARE THE PROPRIETARY PROPERTY OF BRASSTECH. ANY USE OR REPRODUCTION IS SUBJECT TO THE EXPRESS APPROVAL OF BRASSTECH. UNAUTHORIZED USE IS STRICTLY PROHIBITED. ALL RIGHTS RESERVED.

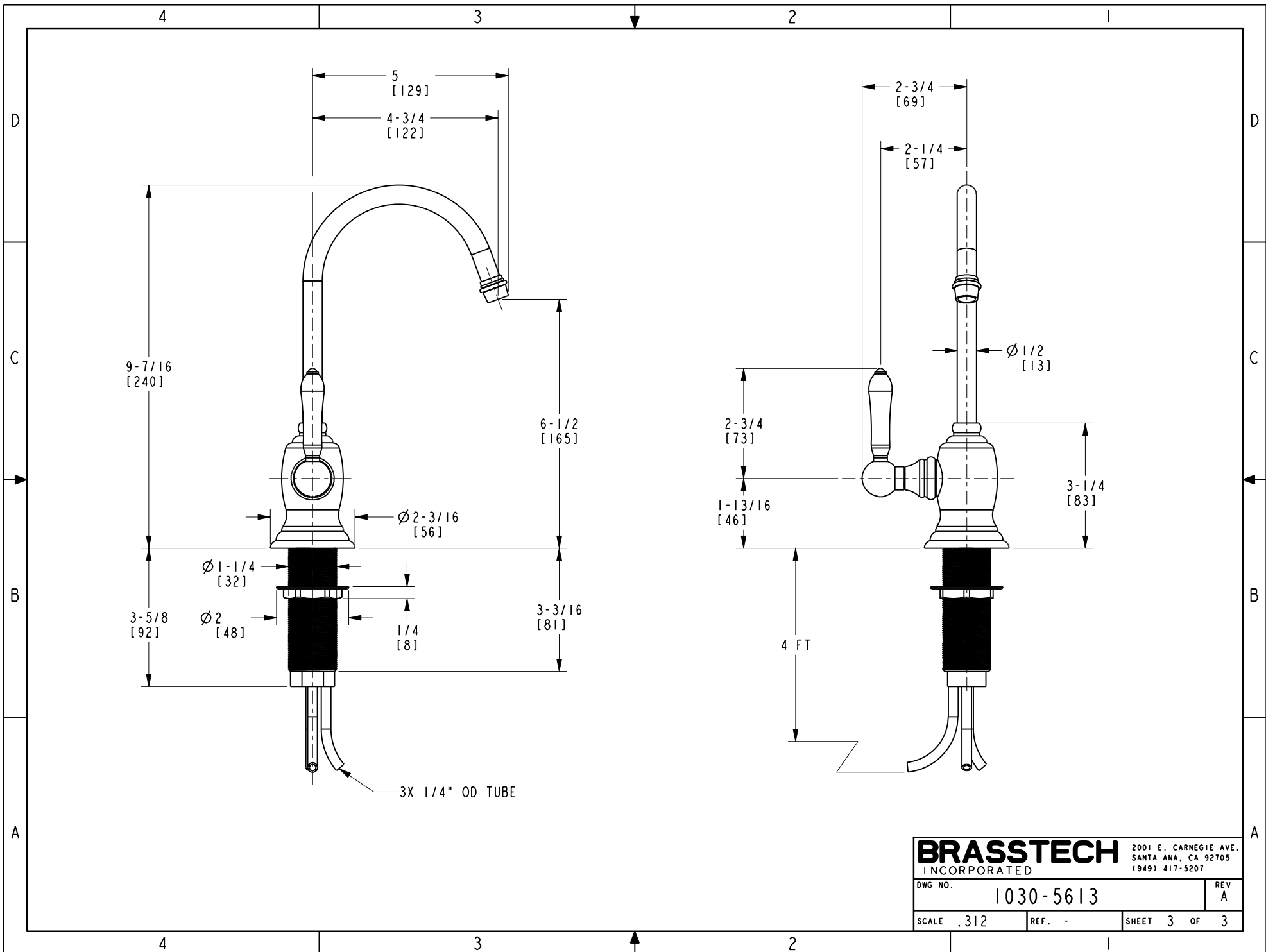
| -    | A   | EN-3240     | 01/05/17 | V.V.     |
|------|-----|-------------|----------|----------|
| -    | -   | EN-2980i    | 10/04/16 | J.A.     |
| ZONE | REV | DESCRIPTION | DATE     | APPROVED |

JM  
04/24/2018

14



|                                  |           |  |   |
|----------------------------------|-----------|--|---|
| <b>BRASSTECH</b><br>INCORPORATED |           | 2001 E. CARNEGIE AVE.<br>SANTA ANA, CA 92705<br>(949) 417-5207 |   |
| DWG NO.                          | 1030-5613 | REV  | A |
| SCALE                            | .300      | REF.   | - |
| SHEET 2                          |           | OF 3   |   |



|                  |           |  |        |
|------------------|-----------|--|--------|
| <b>BRASSTECH</b> |           | 2001 E. CARNEGIE AVE.<br>SANTA ANA, CA 92705<br>(949) 417-5207 |        |
| DWG NO.          | 1030-5613 | REV  | A      |
| SCALE            | .312      | REF.   | -      |
|                  |           | SHEET  | 3 OF 3 |