



INSTALLATION & MAINTENANCE MANUAL

EXALT Solo 110-155-199 & EXALT Combi 155-199

⚠ NOTICE

- Customer must register unit within thirty (30) days of installation in order to gain warranty coverage. See Warranty Card for details.
- Leave all documentation received with appliance with the owner for future reference.

⚠ WARNING

- To maintain the safety & longevity of your appliance, read and follow the maintenance schedule information throughout this manual.
- If the information in this manual is not followed exactly, a fire or explosion may result causing substantial property damage, serious injury, or death.
- **WHAT TO DO IF YOU SMELL GAS**
 - Do not try to light any appliance
 - Do not touch any electrical switch; do not use any phone in your building.
 - Immediately call your gas supplier from a neighbor's phone. Follow the gas supplier's instructions.
 - If you cannot reach your gas supplier, call the fire department.

FOR YOUR SAFETY

- Do not store or use gasoline or other flammable vapors and liquids in the vicinity of this or any other appliance.
- Installation and service must be performed by a qualified installer, service agency or the gas supplier.



INTENTIONALLY LEFT BLANK

TABLE OF CONTENTS

| | |
|---|-----------|
| PRODUCT AND SAFETY INFORMATION | XI |
| CHAPTER 1 - PRE-INSTALLATION REQUIREMENTS | 1 |
| 1.1. EXALT Boilers - Code Compliance..... | 1 |
| 1.1.1 Code Restrictions | 1 |
| 1.1.2 Operating Restrictions | 1 |
| 1.2. Determining Product Location..... | 2 |
| 1.3. Boiler Freeze Protection Feature | 2 |
| 1.4. Boiler Replacement | 2 |
| 1.5. Recommended Clearances | 3 |
| 1.6. Residential Garage Installations | 3 |
| CHAPTER 2 - COMBUSTION AIR & VENTING | 5 |
| 2.1. Combustion Air Contamination | 5 |
| 2.2. Ventilation and Combustion Air Requirements - Direct Vent..... | 6 |
| 2.3. Ventilation and Combustion Air Requirements - Category IV..... | 6 |
| 2.4. Methods of Accessing Combustion Air Into A Space - Category IV..... | 7 |
| 2.4.1. Indoor Combustion Air | 7 |
| 2.4.2. Outdoor Combustion Air..... | 7 |
| 2.4.3. Combination of Indoor and Outdoor Combustion Air..... | 8 |
| 2.5. Combustion Air and Vent Piping | 8 |
| 2.6. Removal of an Existing Boiler from a Common Vent System..... | 9 |
| 2.7. Carbon Monoxide Detector Installation | 10 |
| 2.8. Commonwealth of Massachusetts Installation Requirements..... | 10 |
| 2.8.1 Installation of Carbon Monoxide Detectors..... | 10 |
| 2.8.2 Approved Carbon Monoxide Detectors | 10 |
| 2.8.3 Signage..... | 11 |
| 2.8.4 Inspection | 11 |
| 2.8.5 Manufacturer Requirements - Gas Equipment Venting System Provided..... | 11 |
| 2.8.6 Manufacturer Requirements - Gas Equipment Venting System Not Provided | 11 |
| CHAPTER 3 - UNIT PREPARATIONS | 13 |
| 3.1. Handling Instructions | 13 |
| 3.2. Wall Mounting Installation | 13 |
| 3.3. Accessories..... | 13 |
| 3.4. Wall Mounting Guidelines | 14 |
| 3.5. Stud Walls - Installation..... | 14 |
| 3.6. Wall Bracket Installation - Solid Walls | 14 |
| 3.7. Boiler Mounting..... | 14 |








TABLE OF CONTENTS

| | |
|--|-----------|
| CHAPTER 4 - BOILER PIPING | 15 |
| 4.1. General Piping Requirements..... | 15 |
| 4.2. Pressure Relief Valve | 15 |
| 4.3. Boiler Air Vent..... | 16 |
| 4.4. Low Water Cutoff Device | 16 |
| 4.5. Additional Limit Control..... | 17 |
| 4.6. Backflow Preventer..... | 17 |
| 4.7. EXALT Solo Boiler System Piping..... | 17 |
| 4.7.1 Expansion Tank and Makeup Water..... | 18 |
| 4.7.2 Diaphragm Expansion Tank | 18 |
| 4.7.3 Closed-Type Expansion Tank..... | 18 |
| 4.7.4 Circulator | 19 |
| 4.7.5 Sizing Primary Piping | 19 |
| 4.7.6 Domestic Hot Water System Piping | 19 |
| 4.7.7 System Piping - Zone Circulators | 19 |
| 4.7.8 System Piping - Zone Valves | 19 |
| 4.7.9 System Piping - Through Boiler..... | 19 |
| 4.7.10 System Piping - Radiant Heating..... | 19 |
| 4.7.11 System Piping - Special Application | 21 |
| 4.7.12 System Piping - Multiple Units Installation..... | 21 |
| 4.8. EXALT Combi Boiler System Piping..... | 21 |
| 4.8.1 Expansion Tank and Makeup Water..... | 22 |
| 4.8.2 Diaphragm Expansion Tank | 22 |
| 4.8.3 Circulator | 22 |
| 4.8.4 Sizing Primary Piping | 23 |
| 4.8.5 System Piping - Zone Circulators..... | 23 |
| 4.8.6 System Piping - Zone Valves..... | 23 |
| 4.8.7 System Piping - Through Boiler..... | 23 |
| 4.8.8 System Piping - Radiant Heating..... | 23 |
| 4.8.9 System Piping - Special Application | 23 |
| 4.9. Optional System Piping and Cascading | 23 |
| CHAPTER 5 - EXALT COMBI UNITS - DOMESTIC PIPING | 27 |
| 5.1. Domestic Piping Pressure Relief Valve | 27 |
| 5.1.1 Standard Installation..... | 27 |
| 5.1.2 Pressure Relief Valve - Standard Installations | 27 |
| 5.1.3 Pressure Relief Valve Discharge Piping..... | 27 |
| 5.2. Thermal Expansion..... | 28 |
| 5.3. Water Hammer | 29 |

TABLE OF CONTENTS

| | | |
|--|---|-----------|
| 5.4. | Vacuum Breaker | 29 |
| 5.5. | Hydro-Block..... | 29 |
| 5.6. | General Piping | 29 |
| 5.7. | Thermostatic Mixing Valve | 29 |
| CHAPTER 6 - INSTALLING VENT/COMBUSTION AIR & CONDENSATE DRAIN | | 37 |
| 6.1. | Installing Vent and Combustion Air..... | 37 |
| 6.2. | Installing Condensate Drain Assembly into EXALT Solo Units..... | 37 |
| CHAPTER 7 - GAS PIPING..... | | 39 |
| 7.1. | Gas Supply Piping Connection..... | 39 |
| 72 | Natural Gas | 40 |
| 721 | Pipe Sizing..... | 40 |
| 722 | Supply Pressure Requirements | 40 |
| 73. | Propane Gas | 41 |
| 731 | Pipe Sizing..... | 41 |
| 732 | Supply Pressure Requirements | 41 |
| CHAPTER 8 - WIRING..... | | 45 |
| 8.1. | Internal Wiring..... | 45 |
| 8.1.1 | General Requirements | 45 |
| 8.1.2 | Fuse Locations..... | 45 |
| 8.2. | External Wiring | 48 |
| 8.2.1 | General Requirements | 48 |
| 8.2.2 | Line Voltage Connections..... | 48 |
| 8.3. | External Wiring - EXALT Solo Units | 48 |
| 8.3.1 | Circulator Wiring | 48 |
| 8.3.2 | Low Voltage Connections | 49 |
| 8.3.3 | Thermostat Wiring..... | 49 |
| 8.3.4 | Outdoor Sensor Wiring..... | 49 |
| 8.3.5 | Domestic Hot Water Wiring..... | 49 |
| 8.3.6 | Additional Boiler Limits | 49 |
| 8.3.7 | External Modulation Control | 50 |
| 8.3.8 | System Sensor Wiring..... | 50 |
| 8.3.9 | Cascade Wiring - Optional | 50 |
| 8.3.10 | Modbus..... | 50 |
| CHAPTER 9 - CTRLMAX OPERATION..... | | 51 |
| 9.1. | CTRLMax Navigation..... | 51 |
| 9.2. | CTRLMax Menu Structure | 52 |

TABLE OF CONTENTS

| | | |
|--------|---|----|
| 9.3. | Home Screen | 53 |
| 9.4. | Status Line Messages | 54 |
| 9.5. | Main Menu | 55 |
| 9.6. | EZ Setup | 55 |
| 9.7. | Heating EZ Setup  | 56 |
| 9.7.1 | Select CH Demand (No outdoor sensor connected) | 56 |
| 9.7.2 | Select CH Demand (Outdoor sensor connected) | 57 |
| 9.8. | Domestic Hot Water EZ Setup  - EXALT Solo Units | 58 |
| 9.9. | Domestic Hot Water EZ Setup  - EXALT Combi Units | 59 |
| 9.10. | Altitude Setup | 59 |
| 9.11. | EZ Setup Reset  | 60 |
| 9.12. | Display EZ Setup  | 60 |
| 9.13. | CH/DHW Operation  | 61 |
| 9.14. | Boiler Information  | 61 |
| 9.14.1 | Information Items | 62 |
| 9.14.2 | Lockout Screen | 63 |
| 9.14.3 | Manual Reset Lockouts | 64 |
| 9.14.4 | Automatic Reset Blocking Lockouts | 65 |

CHAPTER 10 - START-UP PREPARATION 67

| | | |
|--------|---|----|
| 10.1. | Boiler System Fluid Requirements | 67 |
| 10.1.1 | Boiler Fluid pH Level 6.0 to 8.0 | 67 |
| 10.1.2 | Boiler Fluid Hardness Less Than 7 Grains | 67 |
| 10.1.3 | Chlorinated Water | 67 |
| 10.1.4 | Flush Boiler to Remove Sediment | 67 |
| 10.1.5 | Cleaning of Old Boiler/System: | 67 |
| 10.1.6 | Cleaning of New Boiler/System: | 67 |
| 10.1.7 | Check and Test Antifreeze | 68 |
| 10.1.8 | Use of Antifreeze in the Boiler System | 68 |
| 10.2. | Filling the Boiler System | 69 |
| 10.3. | EXALT Combi Water Heater - Water Requirements | 69 |
| 10.3.1 | Filling the Domestic Circuit | 69 |
| 10.4. | Check Low Water Cut-Off Device | 69 |
| 10.5. | Check For Gas Leaks | 70 |

TABLE OF CONTENTS

| | | |
|--|---|-----------|
| 10.6. | Check Thermostat Circuit..... | 70 |
| 10.7. | Inspect Condensate Drain Assembly | 70 |
| CHAPTER 11 - START-UP PROCEDURES..... | | 71 |
| 11.1. | Final Checks Before Start-Up..... | 71 |
| 11.2. | EXALT Start-Up..... | 71 |
| 11.3. | Check the EXALT and System | 71 |
| 11.3.1 | Check Boiler Piping | 71 |
| 11.3.2 | Check Vent and Combustion Air Piping..... | 71 |
| 11.3.3 | Check Gas Piping | 71 |
| 11.3.4 | Verify Flame Pattern and Combustion | 73 |
| 11.3.5 | Measure Input - Natural Gas Only..... | 74 |
| 11.3.6 | Test High Temperature Limit..... | 74 |
| CHAPTER 12 - OUTDOOR RESET CONTROL..... | | 75 |
| 12.1. | Mounting the Outdoor Sensor | 75 |
| 12.2. | Wiring the Sensor | 75 |
| CHAPTER 13 - EXTERNAL MODULATING CONTROL..... | | 77 |
| 13.1. | Wiring the Modulating Controller | 77 |
| 13.2. | CTRLMax Programming | 77 |
| 13.3. | Programming of External Modulating Control..... | 77 |
| CHAPTER 14 - CHECK-OUT PROCEDURES..... | | 79 |
| CHAPTER 15 - INSTALLATION RECORD | | 81 |
| CHAPTER 16 - MAINTENANCE SCHEDULES | | 83 |
| 16.1. | Service Technician | 83 |
| 16.2. | Owner Maintenance | 83 |
| CHAPTER 17 - MAINTENANCE PROCEDURES | | 84 |
| 17.1. | Service Technician Maintenance Procedures..... | 84 |
| 17.2. | Reported Problems | 84 |
| 17.3. | Check Surrounding Area | 84 |
| 17.4. | Inspect Burner Area..... | 84 |
| 17.5. | Check System Piping | 84 |
| 17.6. | Clean Condensate Drain Assembly | 84 |
| 17.7. | Check Ventilation Air Openings | 85 |
| 17.8. | Inspect Vent and Combustion Air Piping | 85 |
| 17.9. | Check Boiler System | 85 |
| 17.10. | Check Expansion Tank..... | 85 |

TABLE OF CONTENTS

| | | |
|---|--|------------|
| 17.11. | Check Boiler Relief Valve | 85 |
| 17.12. | Inspection of Ignitor..... | 85 |
| 17.13. | Check Ignition Cable and Ground Wiring | 86 |
| 17.14. | Check Control Wiring..... | 86 |
| 17.15. | Check Control Settings..... | 86 |
| 17.16. | Perform Start-up and Checkout Procedures | 86 |
| 17.17. | Check Burner Flame..... | 86 |
| 17.18. | Check Flame Signal | 86 |
| 17.19. | Check Combustion Levels | 87 |
| 17.20. | Check Flue Gas Temperature..... | 87 |
| 17.21. | Clean Heat Exchanger..... | 87 |
| 17.22. | Check Carbon Monoxide Detectors | 87 |
| 17.23. | Review With Owner | 87 |
| 17.24. | Torque Specifications Table | 87 |
| CHAPTER 18 - REPLACEMENT PARTS | | 88 |
| CHAPTER 19 - PRODUCT SPECIFICATIONS..... | | 101 |

INDEX OF ILLUSTRATIONS AND TABLES

| | |
|---|----|
| Fig. 1 - All Combustion Air from Adjacent Indoor Spaces through Indoor Combustion Openings..... | 7 |
| Fig. 2 - All Combustion Air from Outdoors Through One Permanent Air Opening | 7 |
| Fig. 3 - All Combustion Air from Outdoors Through Ventilated Attic..... | 8 |
| Fig. 4 - All Combustion Air from Outdoors Through Horizontal Ducts | 8 |
| Fig. 5 - Accessories | 13 |
| Fig. 6 - EXALT Pressure Relief Valve, Drain Valve, T&P Gauge Installation | 15 |
| Fig. 7 - Piping Component Legend | 16 |
| Fig. 8 - EXALT Solo Near Boiler Piping - Hydraulic Separator | 17 |
| Fig. 9 - Near Boiler Piping - Closely Spaced Tees | 18 |
| Fig. 10 - 3 Boiler Cascade, 1 System Pump, 1 CH Pump and 1 DHW Pump | 20 |
| Fig. 11 - EXALT Combi Near Boiler Piping - Hydraulic Separator..... | 21 |
| Fig. 12 - EXALT Combi Near Boiler Piping -Timesaver Manifold | 22 |
| Fig. 13 - EXALT Combi System Piping - Zoning w Valves..... | 24 |
| Fig. 14 - EXALT Combi - System Piping - Multi Zone Valve - Single Circulator..... | 25 |
| Fig. 15 - EXALT Combi - System Piping - Single Zone with Single Circulator | 26 |
| Fig. 16 - Standard Installation of the Domestic Pressure Relief Valve | 27 |
| Fig. 17 - EXALT Combi - Hydro-block Flow Diagram..... | 28 |
| Fig. 18 - EXALT Combi Domestic Piping - Single Zone System with Single System/Boiler Circulator ... | 30 |
| Fig. 19 - Multiple Zones - Panel Wiring with Circulators..... | 31 |
| Fig. 20 - EXALT Combi System Piping - Multiple Zones - Panel Wiring with Valves..... | 32 |
| Fig. 21 - EXALT Solo System Piping - Multi Zone Valves - Single Circulator | 33 |
| Fig. 22 - EXALT Solo System Piping - Single Zone System - Single Circulator | 34 |
| Fig. 23 - EXALT Solo - Cascade Piping | 35 |
| Fig. 24 - Condensate Drain Assembly | 38 |
| Fig. 25 - Recommended Gas Supply Piping | 39 |
| Fig. 26 - Gas Valve / Venturi Assembly - EXALT Solo 110 | 42 |
| Fig. 27 - Gas Valve / Venturi Assembly - EXALT Solo/Combi 155 | 42 |
| Fig. 28 - Gas Valve / Venturi Assembly - EXALT Solo/Combi 199 | 43 |
| Fig. 29 - CTRLMax Control Module Fuse Location | 45 |
| Fig. 30 - EXALT Solo Boiler Factory Wiring | 46 |
| Fig. 31 - EXALT Combi Boiler Factory Wiring | 47 |
| Fig. 32 - Terminal Strip Location | 48 |
| Fig. 33 - Low Voltage Connections | 49 |
| Fig. 34 - CTRLMax User Interface | 51 |
| Fig. 35 - Throttle Screw Location..... | 73 |
| Fig. 36 - EXALT Solo Jacket Components..... | 88 |
| Fig. 37 - EXALT Combi Jacket Components..... | 89 |
| Fig. 38 - EXALT Solo 110 Internal Components..... | 90 |

INDEX OF ILLUSTRATIONS AND TABLES

| | |
|---|-----|
| Fig. 39 - EXALT Solo 155 Internal Components..... | 91 |
| Fig. 40 - EXALT Combi 155 Internal Components | 92 |
| Fig. 41 - EXALT Solo 199 Internal Components | 93 |
| Fig. 42 - EXALT Combi 199 Internal Components..... | 94 |
| Fig. 43 - EXALT Solo 110 Burner Components..... | 95 |
| Fig. 44 - EXALT Solo/Combi 155 Burner Components | 96 |
| Fig. 45 - EXALT Combi 199 Burner Components | 97 |
| Fig. 46 - EXALT Control & Display Enclosures | 98 |
| Fig. 47 - EXALT Combi Hydro-block | 99 |
| Fig. 48 - Front View EXALT Solo 110..... | 102 |
| Fig. 49 - Right Side View EXALT Solo 110 | 103 |
| Fig. 50 - Front View EXALT Solo 155..... | 104 |
| Fig. 51 - Right Side View EXALT Solo 155 | 105 |
| Fig. 52 - Front View EXALT Solo 199..... | 106 |
| Fig. 53 - Right Side View EXALT Solo 199 | 107 |
| Fig. 54 - Front View EXALT Combi 155 | 108 |
| Fig. 55 - Right Side View EXALT Combi 155 | 109 |
| Fig. 56 - Front View EXALT Combi 199..... | 110 |
| Fig. 57 - Right Side View EXALT Combi 199..... | 111 |
| | |
| Graph 1 - EXALT Solo - Pressure Loss Through Boiler | 112 |
| Graph 2 - EXALT Combi - Pressure Loss Through Boiler..... | 112 |
| | |
| Table 1 - Natural Gas Venturis | 40 |
| Table 2 - Gas Piping Sizing - Natural Gas | 40 |
| Table 3 - Propane Conversion Venturis | 41 |
| Table 4 - Outdoor Reset Preset Selections | 57 |
| Table 5 - Throttle Screw Adjustment..... | 73 |
| Table 6 - Acceptable Combustion Levels..... | 74 |

PRODUCT AND SAFETY INFORMATION

IMPORTANT SAFETY INFORMATION FOR THE HOMEOWNER AND THE INSTALLER

This manual contains important information with respect to the installation, starting up and maintenance of the appliance.

This manual must be provided to the Homeowner, who will keep it in a safe place for future reference.

Ideal accepts no liability for any damage, injury, or loss of life resulting from incorrect installation, alteration of any factory supplied parts, or the use of parts or fittings not specified by Ideal. If there is a conflict or doubt about the proper installation of the unit or any factory supplied replacement parts please contact Ideal Technical Support.

DEFINITIONS

The following terms are used throughout this manual to bring attention to the presence of potential hazards or to important information concerning the product.

DANGER

Indicates the presence of a hazardous situation which, if ignored, will result in substantial property damage, serious injury, or death.

WARNING

Indicates a potentially hazardous situation which, if ignored, can result in substantial property damage, serious injury, or death.

CAUTION

Indicates a potentially hazardous situation which, if ignored, can result in minor property damage, or injury.

NOTICE

Indicates special instructions on installation, operation or maintenance, which are important to the equipment but not related to personal injury hazards.

BEST PRACTICE

Indicates recommendations made by Ideal for the installers, which will help to ensure optimum operation and longevity of the equipment.

DANGER

- Do not use this appliance if any part has been under water. Immediately call a qualified service technician to inspect the appliance and to replace any part of the control system which has been under water.
- Avoid electrical shock when servicing the appliance, by disconnecting the electrical supply prior to performing maintenance.
- Failure to comply with these instructions will result in substantial property damage, serious injury, or death.

WARNING

- What to do if you smell gas:
 - Do not try to light any appliance
 - Do not touch any electrical switch; do not use any phone in your building.
 - Immediately call your gas supplier from a neighbor's phone. Follow the gas supplier's instructions.
 - If you cannot reach your gas supplier, call the fire department.
- Do not store or use gasoline or other flammable vapors and liquids in the vicinity of this or any other appliance.
- Prior to installing this product, the qualified installer must read all instructions included in this manual and all accompanying manuals/ documents with this appliance.
- All installation steps required in these manuals must be performed in the proper order given.
- This product must be maintained / serviced and inspected annually by a qualified service technician.
- A byproduct of any gas fired appliance is carbon monoxide. Ideal follows the recommended advice of CPSC and requires the installation of a minimum of two (2) carbon monoxide detectors with an alarm and battery back-up if hard wired; one in the mechanical room where the boiler is located and another installed in the area outside each sleeping area for all installations. Consult the local authority having jurisdiction for any additional carbon monoxide detector requirements in your area. See *Section 2.8 on page 10* for additional carbon monoxide detector requirements in Massachusetts.
- Failure to comply with these instructions can result in substantial property damage, serious injury, or death.

PRODUCT AND SAFETY INFORMATION

⚠ DANGER

HOT WATER CAN SCALD!

Water temperature over 125°F can cause severe burns instantly or death from scalds.



- Children, disabled and elderly are at highest risk of being scalded.
 - ⌚ Never leave them unattended in or near shower, bathtub or sink.
 - ⌚ Never allow small children to use a hot water faucet or draw their own bath.
- To avoid any potential scald hazard or if codes require specific water temperatures at the hot water faucet, the installer must:
 - ⌚ Install a thermostatic mixing valve at this appliance and ensure it is working properly AND
 - ⌚ Set the domestic hot water temperature to the lowest temperature which satisfies your hot water needs.
 - ⌚ Feel and adjust water temperature before bathing or showering.
 - ⌚ Water drained from the system drain valves may be extremely hot.

TO AVOID INJURY:

- Make sure all connections are tight.
- Direct water flow away from any person.
- Failure to comply with these instructions will result in substantial property damage, serious injury, or death.

⚠ WARNING

Bacteria can develop in the domestic water system if certain minimum water temperatures are not maintained. Failure to maintain at least 140°F [60°C] domestic hot water temperature or use the Antilegionella function can result in bacteria development, which can result in serious injury, or death.

⚠ WARNING

- Should overheating occur or if the gas supply fails to shut off, turn OFF the manual gas control valve external to the appliance.
- Do not add cold make up water when the appliance is hot. Thermal shock can potentially cause cracks in the heat exchanger.
- Failure to comply with these instructions can result in substantial property damage, serious injury, or death.

⚠ WARNING

Protection must be taken against excessive pressure!

TO PROTECT AGAINST EXCESSIVE PRESSURE:

- Verify that a field supplied 150 psi pressure relief valve is installed in the recommended location for Combi models using the domestic hot water function (DHW Side).
- Verify the 30 psi relief valve supplied is installed in the location provided (CH Side). In installations where the CH pressure exceeds 30 psi, a 50 psi relief valve (not included) can be installed in lieu of the 30 psi relief valve.
- To avoid injury, install the relief valves in compliance with local code requirements.

Failure to comply with these instructions can result in substantial property damage, serious injury, or death.

CAUTION

- It is prohibited to carry out any modifications to the appliance without prior written consent from Ideal.
- Faulty parts must only be replaced by genuine Ideal factory parts.
- Failure to comply with these instructions can result in minor property damage, or injury.

NOTICE

The EXALT appliance is supplied with an acoustic dampening foam rubber insert located in the appliance air inlet. **DO NOT** remove this on installation.

- *The homeowner is only permitted to carry out the basic set-up operations (EZ Setup) after he has received all relevant instructions from the installer. Any other set-up must be carried out by a qualified installer.*
- *In case of any anomaly, please call your qualified service technician.*
- *Make sure to reference the unit's model number and serial number from the rating label when inquiring about service or troubleshooting.*
- *Ideal reserves the right to change the technical characteristics, components and features of its products without prior notice. Check for an updated version of this manual at www.idealusa.com.*

CHAPTER 1 - PRE-INSTALLATION REQUIREMENTS

1.1. EXALT Boilers - Code Compliance

The EXALT units must be installed by a qualified installer in accordance with the following:

- All applicable local, state, national and provincial codes, ordinances, regulations and laws.
- For installations in Massachusetts, code requires the EXALT to be installed by a licensed plumber or gas fitter, and if antifreeze is utilized, the installation of a reduced pressure back-flow preventer device is required in the boiler's cold water fill or make up water supply line.
- For installation in Massachusetts, all direct vented appliances must comply with the guidelines as outlined in *Section 2.8 on page 10*.
- The National Fuel Gas Code (NFPA54/ ANSI Z 223.1).
- National Electric Code (ANSI/NFPA 70).
- For installations in Canada - Installation Code for Gas Burning Equipment (CAN/CSA B149.1), Canadian Electrical Code Part 1 (CSA C22.1).
- Standards for Controls and Safety Devices for Automatically Fired Boilers (ANSI/ASME CSD-1), when required.

NOTICE

The EXALT gas manifold and gas controls meet the safe lighting and other performance requirements as specified in ANSI Z21.13.

Where recommendations in this manual differ from local or national codes, the local or national codes take precedence.

1.1.1 Code Restrictions

The single wall heat exchanger in the EXALT Combi water heater complies with National Standard Plumbing Code, provided that:

- Boiler water (including additives) is practically non-toxic, having toxicity rating or class of 1, as listed in Clinical Toxicology of Commercial Products, and
- Boiler water pressure is limited to maximum 30 psig by approved relief valve.

Single wall heat exchangers are permitted under the Uniform Plumbing Code - Paragraph L3.2. and L3.3 if they satisfy all of the following requirements.

- The heat transfer medium is potable water or contains only substances which are recognized as safe by the U.S. Food and Drug Administration.
- The pressure of the heat transfer medium is maintained less than the normal minimum operating pressure of the potable water system.

- The equipment is permanently labeled to indicate that only additives recognized as safe by the FDA shall be used in the heat transfer medium.

Other heat exchanger designs may be permitted where approved by the Administrative Authority.

1.1.2 Operating Restrictions

- Maximum EXALT Combi DHW outlet temperature is 149°F, when mixing valve is installed.
- Maximum boiler water temperature rating is 210°F.
- Maximum DWH working pressure is 150 psig.
- Maximum boiler (CH) working pressure is 50 psig.
- Water quality limitations (based on E.P.A National Secondary Drinking Water Regulations):
 - ⌊ Chloride, less than 150 ppm or mg/l
 - ⌊ pH value min. 6, max. 8
 - ⌊ Total hardness 3 - 7 grains/gallon or 50-120 ppm or mg/l.
 - ⌊ Total Dissolved Solids (TDS), less than 120 ppm or mg/l.
 - ⌊ Iron less than 0.3 ppm or mg/l.
 - ⌊ Aluminum, less than 0.2 ppm or mg/l.
 - ⌊ Copper, less than 1 ppm or mg/l.
 - ⌊ Manganese, less than 0.05 ppm or mg/l.
 - ⌊ Zinc, less than 5 ppm or mg/l.

BEST PRACTICE

In hard water areas (more than 7 grains of hardness) soften the cold domestic supply water to the appliance to prevent scaling.

NOTICE

- *Any water conditioning system must be installed and maintained in accordance with manufacturer's specifications.*
- *Do not install the EXALT Combi in any application if the boiler piping contains non-oxygen barrier tubing or if the boiler piping is considered an "open system". Exposing the internal circulator to oxygen contamination will lead to premature failure and denial of the warranty.*

1.2. Determining Product Location

NOTICE

The EXALT is certified for indoor, conditioned space installations ONLY.

Before locating the EXALT check for convenient locations to:

- Heating system piping
- Venting
- Gas supply piping
- Electrical service

Ensure the EXALT location allows the combustion air/vent piping to be routed directly through the building and terminate properly outside with a minimum amount of length and bends.

Ensure the area chosen for the installation of the EXALT is free of any combustible materials, gasoline, or other flammable liquids.



WARNING

Failure to remove or maintain the area free of combustible materials, gasoline, or other flammable liquids or vapors can result in substantial property damage, serious injury, or death.

Ensure the EXALT and its controls are protected from dripping or spraying water during normal operation or service.

The EXALT should be installed in a location so that any water leaking from the boiler, piping connections, or relief valve will not cause damage to the surrounding area or any lower floors in the structure.

1.3. Boiler Freeze Protection Feature

The CTRLMax boiler management system has a freeze protection feature built in. This feature monitors the boiler water temperature and responds as follows when no call for heat is present:

- 46°F [8°C] Pump outputs configured to respond to a CH1 Call are enabled.
- 42°F [6°C] Pump outputs configured to respond to a CH1 or CH2 Call are enabled, Burner operates at low fire.
- 60°F [15°C] Freeze protection ends. Burner & all pumps turn off after completing CH Post Pump Time.

CAUTION

- The boiler freeze protection feature is disabled during a hard lockout. The burner will not fire, but the circulators will operate.
- The boiler freeze protection feature is designed to protect the boiler, not the heating system. The boiler should be installed in a primary/secondary piping arrangement if it is installed in an unheated space or exposed to water temperatures of 46°F or less. Refer to *Chapter 4* for primary/secondary piping and *Chapter 10* for antifreeze guides.
- Failure to comply can result in minor property damage, or injury.

1.4. Boiler Replacement

If the EXALT is replacing an existing boiler, the following items should be checked and corrected prior to installation:

- Boiler piping leaks and corrosion.
- Proper location and sizing of the expansion tank on the boiler heating loop.
- The existing vent system is appropriate for the EXALT and it is correctly installed. Refer to the EXALT Vent Supplement for the vent system requirements.
- Amount and quality of propylene glycol within the system, if applicable.

CHAPTER 1 - PRE-INSTALLATION REQUIREMENTS

1.5. Recommended Clearances

The EXALT is approved for zero clearance to combustibles, excluding vent and boiler piping.

- Boiler piping must be a minimum 1/4 inch from combustible materials.
- Reference the EXALT Vent Supplement for vent pipe clearance requirements.

BEST PRACTICE

It is recommended that the following clearances be maintained for serviceability:

- Top boiler jacket - 24 inches [610 mm].
- Front - 24 inches [610 mm].
- Bottom boiler piping - 24 inches [610 mm].
- Rear - 0 inches
- Sides - 6 inches [153 mm]

NOTICE

When maintaining less than recommended service clearances, some product labeling, including the rating label, may become hidden and unreadable.



- If the recommended clearances listed above cannot be maintained or the enclosure in which the boiler is installed is less than 70 cubic feet, the space must be ventilated.

See Section 2.2 on page 6.

- When installing the EXALT in a confined space, sufficient air must be provided to allow, under normal operating conditions, proper air flow around the product to maintain ambient temperatures within safe limits to comply with the National Fuel Gas Code (NFPA 54 / ANSI Z223.1)
- Failure to comply with these instructions can result in substantial property damage, serious injury, or death.

1.6. Residential Garage Installations

When installing the EXALT in a residential garage, the following special precautions per NFPA 54/ANSI Z223.1 must be taken:

- Mount the unit a minimum 18 inches [458 mm] above the floor level of the garage. Ensure the burner and ignition devices / controls are no less than 18 inches [458 mm] above the floor level.
- Locate or protect the unit in a manner so it cannot be damaged by a moving vehicle.

INTENTIONALLY LEFT BLANK

2.1. Combustion Air Contamination

WARNING

If the EXALT combustion air inlet is located in an area likely to cause or contain contamination, or if products which could contaminate the air cannot be removed, the combustion air must be repiped and terminated at another location. Contaminated combustion air will damage the unit and its burner system, and can result in substantial property damage, serious injury, or death.

DANGER

- Do not operate the EXALT if the combustion air inlet is located near a laundry room or pool facility. These areas will always contain hazardous contaminants.
- Pool, laundry, common household, and hobby products often contain fluorine or chlorine compounds. When these chemicals pass through the burner and vent system, they can form strong acids. These acids will corrode the heat exchanger, burner components, and vent system, causing serious damage and possible flue gas spillage or water leakage into the surrounding area.
- Please read the information listed below. If contaminating chemicals are located near the area of the combustion air inlet, the installer must pipe the combustion air inlet to an area free of these chemicals, as indicated in Chapter 6 on page 39.
- Failure to comply with these instructions will result in substantial property damage, serious injury, or death.
- The EXALT boiler is classified as a Category IV appliance. This utilizes uncontaminated indoor or outdoor air for appliance combustion. A direct vent installation uses the outdoor air. Air supply, combustion chamber, heat exchanger and evacuation of POC (products of combustion) for this type of appliance is sealed with respect to the room in which the appliance is installed.

- An in-direct installation uses uncontaminated indoor air for appliance combustion.
- When the air for combustion is taken from the room air grilles must be installed by the contractor. The air grilles should be sized in accordance with ANSI Z223.1/ NFPA54 and/or Natural Gas and Propane Installation Code CAN/CSA B149.1.
- The grille providing air when taking air directly from the room should be clearly labelled; "AIR SUPPLY, DO NOT COVER OR RESTRICT. FAILURE TO PROVIDE ADEQUATE AIR FOR COMBUSTION COULD RESULT IN SERIOUS INJURY, OR DEATH."

Potential contaminating products

- Spray cans containing chloro/fluorocarbons
- Permanent Wave Solutions
- Chlorinated wax
- Chlorine based swimming pool chemicals / cleaners
- Calcium Chloride used for thawing ice
- Sodium Chloride used for water softening
- Refrigerant leaks
- Paint or varnish removers
- Hydrochloric acid / muriatic acid
- Cements and glues
- Antistatic fabric softeners used in clothes dryers
- Chlorine-type bleaches, detergents, and cleaning solvents found in household laundry rooms
- Adhesives used to fasten building products and other similar products

Areas likely to contain these products

- Dry cleaning / laundry areas and establishments
- Beauty salons
- Metal fabrication shops
- Swimming pools and health spas
- Refrigeration Repair shops
- Photo processing plants
- Auto body shops
- Plastic manufacturing plants
- Furniture refinishing areas and establishments
- New building construction
- Remodeling areas
- Garages with workshops

CHAPTER 2 - COMBUSTION AIR & VENTING

2.2. Ventilation and Combustion Air Requirements - Direct Vent

A Direct Vent appliance utilizes uncontaminated outdoor air piped directly to the appliance for combustion.

For Direct Vent installations involving only the EXALT, in which the minimum service clearances are maintained as listed in *Section 1.5 on page 3*, no ventilation openings are required, but may be necessary to equalize the air pressure with the outside.

For Direct Vent installations involving only the EXALT, in which the minimum service clearances are not maintained as listed in *Section 1.5 on page 3*, the space / enclosure must provide two openings for ventilation. The openings must be sized to provide 1 square inch of free area per 1,000 BTUH of boiler input. The openings shall be placed 12 inches from the top of the space and 12 inches from the floor of the space.

For installations in which the EXALT shares the space with air movers (exhaust fan, clothes dryers, fireplaces, etc.) and other combustion equipment (gas or oil) the space must be provided with adequate air openings to provide ventilation and combustion air to the equipment. To properly size the ventilation / combustion air openings, the installer must comply with the National Fuel Gas Code (NFPA 54 / ANSI Z223.1) for installations in the U.S. or CAN/CSA B149.1 for installations in Canada.



The space must be provided with ventilation / combustion air openings properly sized for all make-up air requirements (exhaust fans, clothes dryers, fireplaces, etc.) and the total input of all appliances located in the same space as the EXALT, excluding the input of a Direct Vent EXALT which uses combustion air directly from the outside, thus additional free area for the openings is not required. Failure to provide or properly size the openings can result in substantial property damage, serious injury, or death.

2.3. Ventilation and Combustion Air Requirements - Category IV

A Category IV appliance utilizes uncontaminated indoor or outdoor air surrounding the appliance for combustion.

BEST PRACTICE

In order to reduce the potential risks associated with indoor contaminants (see list in Section 2.1 on page 5), flammable vapors and tight housing construction with little or no infiltration air, it is recommended to pipe uncontaminated combustion air directly from the outdoors to the appliance. This practice also promotes higher system efficiency by reducing heated indoor air from being exhausted from the house and replaced by cold infiltration air into the house.

For installations in which the EXALT shares the space with air movers (exhaust fan, clothes dryers, fireplaces, etc.) and other combustion equipment (gas or oil) the space must be provided with adequate air openings to provide ventilation and combustion air to the equipment. To properly size the ventilation / combustion air openings, the installer must comply with the National Fuel Gas Code (NFPA 54 / ANSI Z223.1) for installations in the U.S. or CAN/CSA B149.1 for installations in Canada.



The space must be provided with ventilation / combustion air openings properly sized for all make-up air requirements (exhaust fans, clothes dryers, fireplaces, etc.) and the total input of all appliances, including the EXALT when located in the same space. Failure to provide or properly size the openings can result in substantial property damage, serious injury, or death.

CHAPTER 2 - COMBUSTION AIR & VENTING

2.4. Methods of Accessing Combustion Air Into A Space - Category IV

2.4.1. Indoor Combustion Air

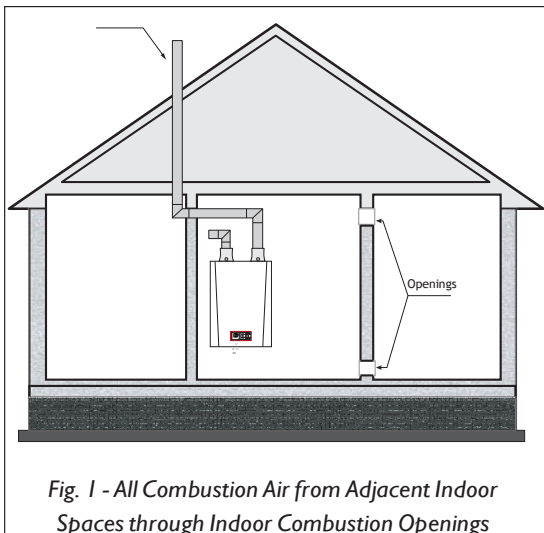
NOTICE

- The methods listed in this chapter for accessing Indoor Combustion Air assume that the infiltration rate is adequate and not less than .40 ACH.
- For infiltration rates less than .40 ACH, reference the National Fuel Gas Code (NFPA 54 / ANSI Z223.1) for additional guidance.
- Indoor combustion air vent supply must be installed with a minimum equivalent vent length of 10 feet. Refer to Vent Supplement for further guidance.

Opening Size and Location

Openings used to connect indoor spaces shall be sized and located in accordance with the following, see Fig. 1 below :

- *Combining spaces on the same story.* Each opening shall have a minimum free area of 1 sq. in./1000 Btu/hr of the total input rating of all gas utilization equipment in the space, but not less than 100 sq. inches. One opening shall commence within 12 inches of the top, and one opening shall commence within 12 inches of the bottom of the enclosure. The minimum dimension of air openings shall be not less than 3 inches.



- *Combining spaces in different stories.* The volumes of spaces in different stories shall be considered as communicating spaces where such spaces are connected by one or more openings in doors or floors having a total minimum free area of 2 sq. in./1000 Btu/hr of total input rating of all gas utilization equipment.

2.4.2. Outdoor Combustion Air

BEST PRACTICE

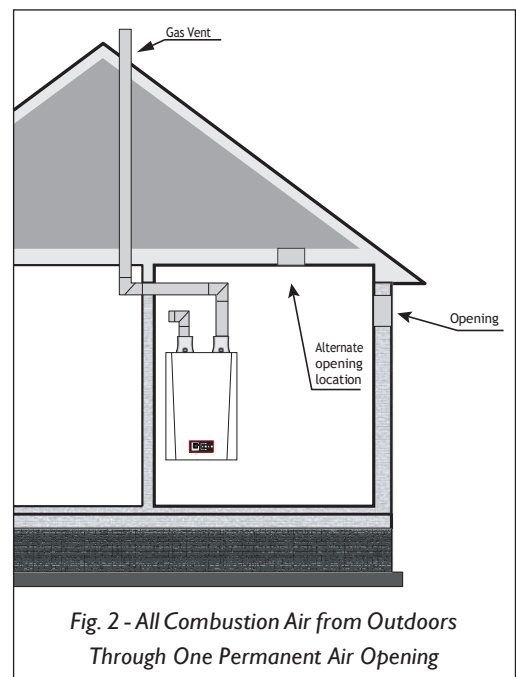
Isolating the combustion appliance room from the rest of the building and bringing in uncontaminated outside air for combustion and ventilation is always preferred.

Opening Size and Location

The minimum dimension of air openings shall be not less than 3 inches

Openings used to supply combustion and ventilation air shall be sized and located in accordance with the following:

- *One Permanent Opening Method .* One permanent opening, commencing within 12 in. of the top of the enclosure, shall be provided as shown in Fig. 2 below. The equipment shall have clearances of at least 1 inch from the sides and 6 in. from the front of the appliance. The opening shall directly communicate with the outdoors or shall communicate through a vertical or horizontal duct to the outdoors or spaces that freely communicate with the outdoors and shall have a minimum free area of the following:
 - 1sq. in./3000 Btu/hr of the total input rating of all equipment located in the enclosures, and
 - Not less than the sum of the areas of all vent connectors in the space.



- **Two Permanent Opening Method.** Two permanent openings, one commencing within 12 in. of the top and one commencing within 12 in. of the bottom of the enclosure, shall be provided. The openings shall communicate directly, or by ducts, with the outdoors or spaces that freely communicate with the outdoors, as follows:
 - Where directly communicating with the outdoors or where communication to the outdoors is through vertical ducts, each opening shall have a minimum free area of 1 sq. in./4000 Btu/hr of total input rating of all equipment in the enclosure. See Fig. 3 below.

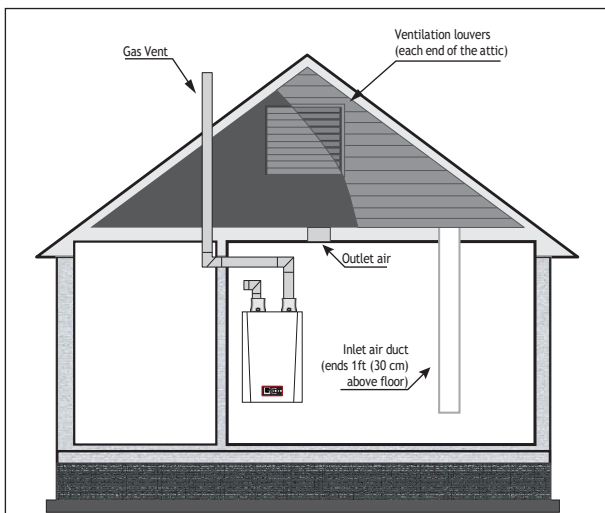


Fig. 3 - All Combustion Air from Outdoors Through Ventilated Attic

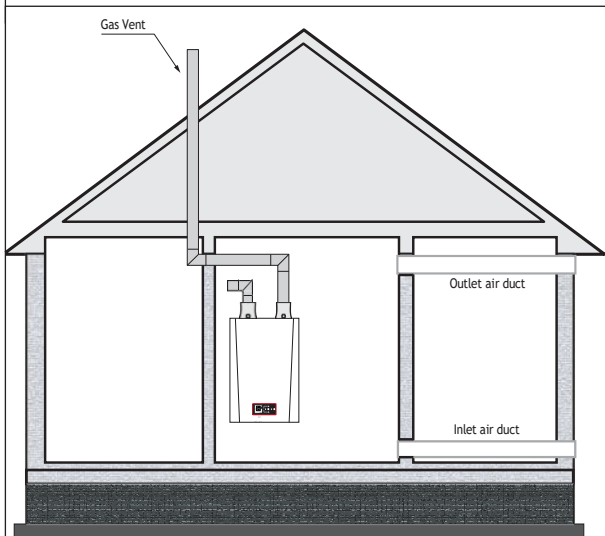


Fig. 4 - All Combustion Air from Outdoors Through Horizontal Ducts

- Where communicating with the outdoors is through horizontal ducts, each opening shall have a minimum free area of not less than 1 sq.in./2000 Btu/hr of total input rating of all equipment in the enclosure. See Fig. 4 below.

2.4.3 Combination of Indoor and Outdoor Combustion Air

Indoor Openings. Where used, openings connecting the interior spaces shall comply with Section 2.4.1 on page 7.

Outdoor Opening(s) Location. Outdoor opening(s) shall be located in accordance with Section 2.4.2 on page 7.

Outdoor Opening(s) Size. Outdoor opening(s) shall be calculated in accordance with the following:

- The ratio of the interior spaces shall be the available volume of all communicating spaces divided by the required volume.
- The outdoor size reduction factor shall be 1 minus the ratio of interior spaces.
- The minimum size of outdoor opening(s) calculated in accordance with the above outdoor air chapter multiplied by the reduction factor. The minimum dimension of air openings shall not be less than 3 in.

2.5. Combustion Air and Vent Piping

The EXALT requires a Category IV venting system, which is designed for pressurized venting and condensate.

The EXALT is certified as a Category IV or Direct Vent (sealed combustion) appliance. A Category IV appliance utilizes uncontaminated indoor or outdoor air surrounding the appliance for combustion. A Direct Vent appliance utilizes uncontaminated outdoor air piped directly to the appliance for combustion.

⚠ DANGER

Do not install the EXALT into a common vent with any other gas or oil appliances. This will cause flue gas spillage or appliance malfunction, which will result in substantial property damage, serious injury, or death.

⚠ DANGER

It is essential that the supply of air for combustion is not blocked or restricted - this could result in serious injury, or death.

BEST PRACTICE

In order to reduce the potential risks associated with indoor contaminants (see list in Section 2.1 on page 5), flammable vapors and tight housing construction with little or no infiltration air, it is recommended to pipe uncontaminated combustion air directly from the outdoors to the appliance. This practice also promotes higher system efficiency by reducing heated indoor air from being exhausted from the house and replaced by cold infiltration air into the house.

DANGER

Verify installed combustion air and vent piping are sealed gas tight and meet all provided instructions and applicable codes, failure to comply will result in serious injury, or death.

WARNING

Failure to properly support the vent system can cause the venting system to fail, resulting in substantial property damage, serious injury, or death.

NOTICE

Install combustion air and vent pipe as detailed in the EXALT Vent Supplement included in the boiler installation envelope. Refer to optional vent kit instructions for additional vent installation instructions.

2.6. Removal of an Existing Boiler from a Common Vent System

BEST PRACTICE

When an existing boiler is removed from a common venting system, the common venting system is likely to be too large for proper venting of the remaining appliances. At the time of removal of an existing boiler, the following steps shall be followed with each appliance remaining connected to the common venting system placed in operation, while the other appliances remaining connected to the common venting system are not in operation.

1. Seal any unused openings in the common venting system.
2. Visually inspect the venting system for proper size and horizontal pitch and determine there is no blockage or restriction, leakage, corrosion and other deficiencies which could cause an unsafe condition.
3. Insofar as is practical:
 - Close all exterior building doors and windows and all doors between the space in which the appliances remaining connected to the common venting system are located and other spaces of the building.
 - Turn on clothes dryers and any appliance not connected to the common venting system.
 - Turn on any exhaust fans, such as range hoods and bathroom exhausts, so they will operate at maximum speed.
 - Do not operate a summer exhaust fan.
 - Close fireplace dampers.
4. Place in operation the appliance being inspected.
 - Follow the lighting instructions.
 - Adjust thermostat so appliance will operate continuously.
5. Test for spillage at the draft hood relief opening after 5 minutes of main burner operation. Use the flame of a match or candle, or smoke from a cigarette, cigar or pipe.
6. After it has been determined that each appliance remaining connected to the common venting system properly vents when tested as outlined above, return doors, windows, exhaust fans, fireplace dampers, and any other gas-burning appliance to their previous condition of use.
7. Any improper operation of the common venting system should be corrected so the installation conforms with the National Fuel Gas Code (NFPA 54 / ANSI Z223.1) for installations in the U.S. or CAN/CSA B149.1 for installations in Canada. When resizing any portion of the common venting system, the common venting system should be resized to approach the minimum size as determined using the appropriate tables in Chapter 13 of the National Fuel Gas Code (NFPA 54 / ANSI Z223.1) for installations in the U.S. or CAN/CSA B149.1 for installations in Canada.

DANGER

Do not install the EXALT into a common vent with any other gas or oil appliances. This will cause flue gas spillage or appliance malfunction, resulting in substantial property damage, serious injury, or death.

CHAPTER 2 - COMBUSTION AIR & VENTING

2.7. Carbon Monoxide Detector Installation

Ideal follows the recommended advice of CPSC and requires the installation of a minimum of two (2) carbon monoxide detectors with an alarm and battery back-up if hard wired; one in the mechanical room where the boiler is located and another installed in the area outside each sleeping area for all installations.

Each carbon monoxide detector shall comply with NFPA 720 and be ANSI/UL 2034 listed and IAS certified.

Consult the local authority having jurisdiction for any additional carbon monoxide detector requirements in your area. See *Section 2.8 on page 10* for additional carbon monoxide detector requirements in Massachusetts.



A byproduct of any gas fired appliance is carbon monoxide. Failure to install carbon monoxide detectors with alarms can result in serious injury, or death.

2.8. Commonwealth of Massachusetts Installation Requirements

For all sidewall horizontally vented gas fueled equipment installed in every dwelling, building or structure used in whole or in part for residential purposes, including those owned or operated by the Commonwealth and where the side wall exhaust vent termination is less than seven (7) feet above finished grade in the area of the venting, including but not limited to decks and porches, the following requirements shall be satisfied:

2.8.1 Installation of Carbon Monoxide Detectors.

1. At the time of installation of the side wall horizontal vented gas fueled equipment, the installing plumber or gasfitter shall observe that a hard wired carbon monoxide detector with an alarm and battery back-up is installed on the floor level where the gas equipment is to be installed.
2. In addition, the installing plumber or gasfitter shall observe that a battery operated or hard wired carbon monoxide detector with an alarm is installed on each additional level of the dwelling, building or structure served by the side wall horizontal vented gas fueled equipment.
3. It shall be the responsibility of the property owner to secure the services of qualified licensed professionals for the installation of hard wired carbon monoxide detectors.
 - a. In the event that the side wall horizontally vented gas fueled equipment is installed in a crawl space or an attic, the hard wired carbon monoxide detector with alarm and battery back-up may be installed on the next adjacent floor level.
 - b. In the event that the requirements of this subdivision can not be met at the time of completion of installation, the owner shall have a period of thirty (30) days to comply with the above requirements; provided, however, that during said thirty (30) day period, a battery operated carbon monoxide detector with an alarm shall be installed.

2.8.2 Approved Carbon Monoxide Detectors.

Each carbon monoxide detector as required in accordance with the above provisions shall comply with NFPA 720 and be ANSI/UL 2034 listed and IAS certified.

2.8.3 Signage

A metal or plastic identification plate shall be permanently mounted to the exterior of the building at a minimum height of eight (8) feet above grade directly in line with the exhaust vent terminal for the horizontally vented gas fueled heating appliance or equipment.

The sign shall read, in print size no less than one half (1/2) inch in size, **“GAS VENT DIRECTLY BELOW. KEEP CLEAR OF ALL OBSTRUCTIONS”**.

2.8.4 Inspection.

The state or local gas inspector of the side wall horizontally vented gas fueled equipment shall not approve the installation unless, upon inspection, the inspector observes carbon monoxide detectors and signage installed in accordance with the provisions of 248 CMR 5.08(2)(a) 1 through 4.

Exemptions

The following equipment is exempt from 248 CMR 5.08(2)(a) 1 through 4:

1. The equipment listed in Chapter 10 entitled “Equipment Not Required To Be Vented” in the most current edition of NFPA 54 as adopted by the Board; and
2. Product Approved side wall horizontally vented gas fueled equipment installed in a room or structure separate from the dwelling, building or structure used in whole or in part for residential purposes.

2.8.5 Manufacturer Requirements - Gas Equipment Venting System Provided.

When the manufacturer of Product Approved side wall horizontally vented gas equipment provides a venting system design or venting system components with the equipment, the instructions provided by the manufacturer for installation of the equipment and the venting system shall include:

1. Detailed instructions for the installation of the venting system design or the venting system components; and
2. A complete parts list for the venting system design or venting system.

2.8.6 Manufacturer Requirements - Gas Equipment Venting System Not Provided.

When the manufacturer of a Product Approved side wall horizontally vented gas fueled equipment does not provide the parts for venting the flue gases, but identifies “special venting systems”, the following requirements shall be satisfied by the manufacturer:

1. The referenced “special venting system” instructions shall be included with the appliance or equipment installation instructions; and
2. The “special venting systems” shall be Product Approved by the Board, and the instructions for that system shall include a parts list and detailed installation instructions.

A copy of all installation instructions for all Product Approved side wall horizontally vented gas fueled equipment, all venting instructions, all parts lists for venting instructions, and/or all venting design instructions shall remain with the appliance or equipment at the completion of the installation.

INTENTIONALLY LEFT BLANK

CHAPTER 3 - UNIT PREPARATIONS

3.1. Handling Instructions

The EXALT is generally easier to handle and maneuver once removed from the shipping carton.

To remove the shipping carton:

NOTICE

Use care not to drop, bump or rotate the boiler upside down, as damage to the boiler will result.

1. Remove any shipping straps.
2. Slide the cardboard sleeve from the unit.
3. Remove the wall mounting template.
4. Remove the accessory boxes.
5. Remove upper and lower cardboard end pieces.
6. Remove the boiler from the cardboard tray.
7. Discard all packing materials and recycle where possible.

The Exalt is supplied with an acoustic dampening foam insert located in the appliance air inlet. DO NOT remove this on any installation. The LP foam (110 and 155 models only) is to be installed in addition to the preinstalled foam when converting to Propane.

3.2. Wall Mounting Installation

The EXALT should be wall mounted using the wall mounting template and bracket provided with the boiler. The EXALT is not designed for floor installation. The EXALT is not to be installed on carpeting



WARNING

The wall used for mounting the EXALT must be vertically plumb and capable of supporting at minimum:

- 119.5 pounds [54 kg] for the EXALT Solo 110
- 141 pounds [64 kg] for the EXALT Solo 155
- 158 pounds [71.5 kg] for EXALT Solo 199
- 165 pounds [75 kg] for EXALT Combi 155
- 183 pounds [83 kg] for EXALT Combi 199

Note. All weights above include EXALT water volumes.

Failure to comply with these requirements can result in substantial property damage, serious injury, or death.

3.3. Accessories

Unpack and check the the list of all accessories as shown in Fig. 5 below.

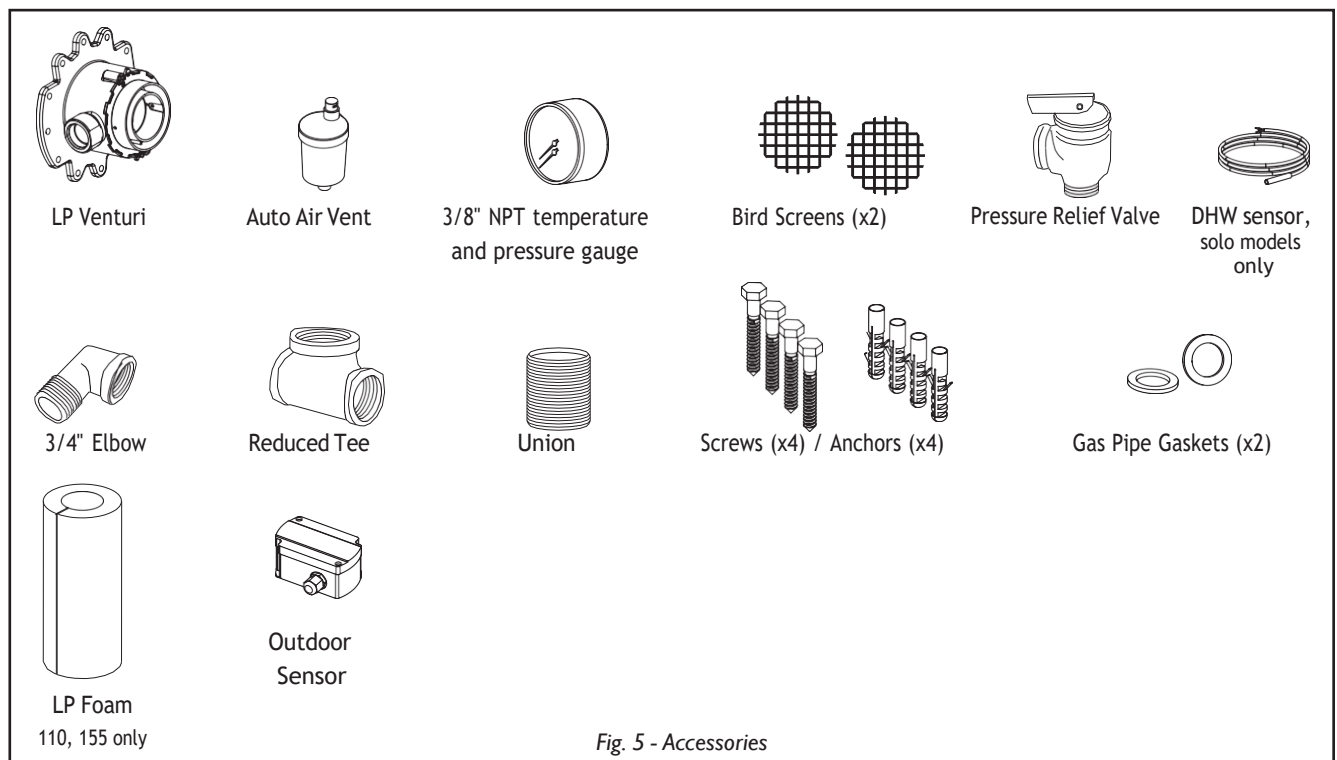


Fig. 5 - Accessories

3.4. Wall Mounting Guidelines

The wall-mounting bracket is designed for stud spacing of approximate 12 inch or 16 inch on centers. For unconventional stud spacing, a solid / secure mounting surface must be provided for installation of the bracket.

1. For applications using wood studs, install the bracket using the lag screws provided with the boiler. Ensure both lag screws are installed securely in the studs.
2. For applications using metal studs, install the bracket to the studs using 3/16" toggle bolts and washers.
3. **DO NOT** mount or attempt to mount the wall bracket to hollow sheet rock or lath walls using anchors. Only install boiler to studs or equivalent wood structure.
4. For applications using solid walls (rock, concrete, brick, cinder block, etc.), install the wall bracket using anchors (double expansion shields) and bolts with washers provided with the boiler.
5. The boiler is too heavy and bulky for a single person to lift and attempt to mount; a minimum of 2 people are required for mounting the boiler.



Use extreme care not to drop the boiler or cause bodily injury while lifting or mounting the boiler onto the wall bracket. Once mounted, verify that the boiler is securely attached to the bracket and wall. Failure to comply with the above guidelines can result in substantial property damage, serious injury, or death.

3.5. Stud Walls - Installation

1. Locate the studs in the general area of the boiler installation.
2. Place the wall-mounting bracket on the wall centering the mounting slots with the stud centers and ensuring the upper edge of the bracket is away from the wall.
3. Level the bracket, while maintaining it's centering with the studs and use a pencil to mark the location of the mounting slots.
4. Remove the bracket from the wall and drill a 1/4" diameter by 3" deep hole in the center of each mark. For applications using metal studs and 3/16" toggle bolts, drill the required clearance hole.
5. Reposition the bracket on the wall and align with the mounting slots/holes. Insert the two lag screws provided (or toggle bolts for metal studs) through the mounting slots/holes and loosely tighten.
6. Level bracket and tighten screws (bolts for metal studs) securely making sure not to over-tighten to avoid damaging drywall or plaster.

3.6. Wall Bracket Installation - Solid Walls

1. Locate the general area of the boiler installation.
2. Place the wall-mounting bracket on the wall ensuring the upper edge of the bracket is away from the wall.
3. Level the bracket and use a pencil to mark the location of the mounting slots on the wall.
4. Remove the bracket from the wall and drill a 5/8" diameter by 1-3/8" deep hole in the center of each mark.
5. Install the provided anchors flush or slightly recessed in the drilled holes with threaded side facing down.
6. Reposition the bracket on the wall and align with the mounting slots/holes. Insert the two bolts with washers through the mounting slots/holes and loosely tighten.
7. Level bracket and tighten bolts securely.

3.7. Boiler Mounting

1. Obtain assistance in lifting the boiler onto the wall bracket.
2. Install the boiler making sure the boiler mounting lip located along the upper edge of the rear jacket panel engages the wall-mounting bracket. Ensure the boiler is seated properly and is secure.

CHAPTER 4 - BOILER PIPING

4.1. General Piping Requirements

- All plumbing must meet or exceed all local, state and national plumbing codes.
- Support all piping using hangers. DO NOT support piping by the unit or its components.
- Use isolation valves to isolate system components.
- Install unions for easy removal of the EXALT from the system piping.



Use a two-wrench method when tightening field piping onto the boiler piping connections. Use one wrench to prevent the boiler connections from turning and the second to tighten field piping. Failure to support the boiler piping connections could damage piping, causing a leak, resulting in substantial property damage, serious injury, or death.

4.2. Pressure Relief Valve

1. The EXALT is supplied with a 30 psi pressure relief valve and must be piped using the PRV connection as shown in Fig. 6 below.

NOTICE

In installations where the CH pressure exceeds 30 psi, a 50 psi relief valve (not included) can be installed in lieu of the 30 psi relief valve.

2. To avoid potential water damage to the surrounding area or potential scalding hazard due to the operation of the relief valve, the discharge piping:
 - Must be connected to the discharge outlet of the relief valve and directed to a safe place of disposal.
 - Length should be as short and direct as possible. The size of the discharge line must not be reduced, maintain the same size as the outlet of the relief valve.
 - Must be directed downward towards the floor at all times. The piping should terminate at least 6 inches [153 mm] above any drain connection to allow clear visibility of the discharge.
 - Must terminate with a plain end, not with a threaded end. The material of the piping must have a serviceable temperature rating of 250°F or greater.
 - Must not be subject to conditions where freezing could occur.
 - Must not contain any shut-off valves or obstructions. No shut-off valve should be piped between the boiler and relief valve.



Failure to comply with the guidelines on installing the pressure relief valve and discharge piping can result in substantial property damage, serious injury, or death.

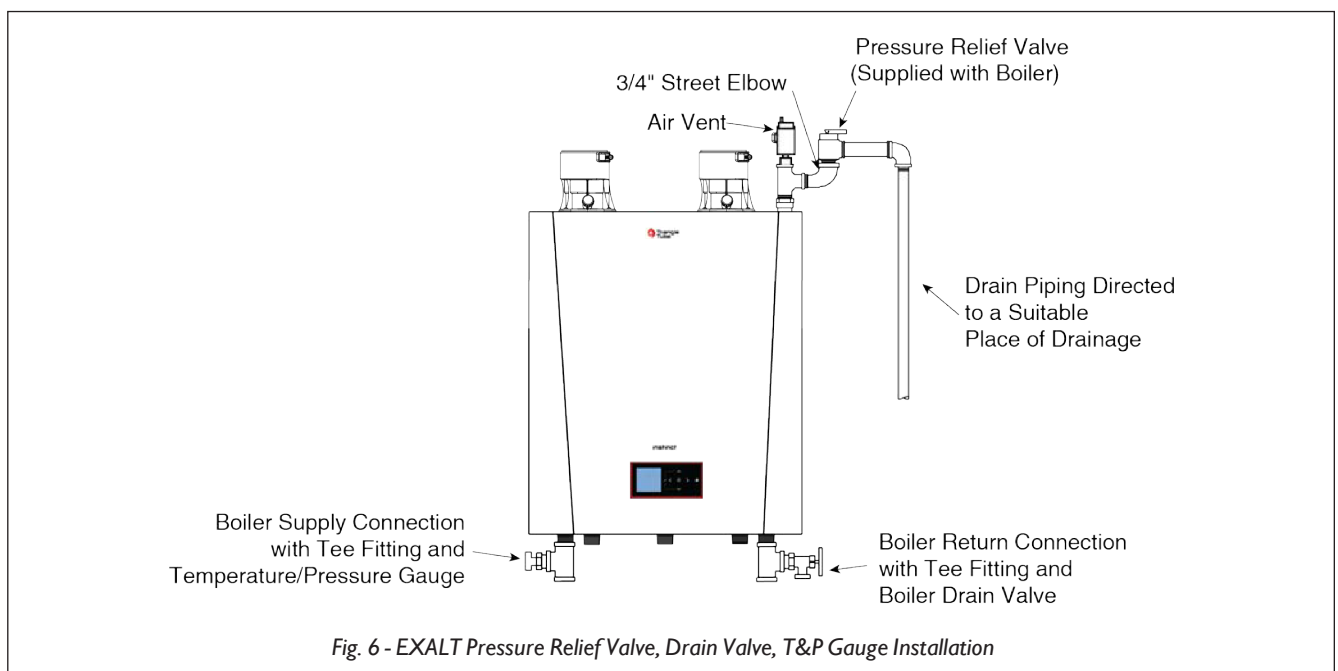


Fig. 6 - EXALT Pressure Relief Valve, Drain Valve, T&P Gauge Installation

CHAPTER 4 - BOILER PIPING

4.3. Boiler Air Vent

NOTICE

This boiler is supplied with a special automatic air vent that will provide reliable operation in purging air from the boiler. The hygroscopic cap supplied with the automatic air vent MUST remain tight at all times on the air vent body. The hygroscopic cap has a membrane which expands upon contact with water and seals the air vent until the membrane dries up due to new air forming in the air vent.

1. Make sure to fully tighten the cap on the air vent during initial installation.
2. Never loosen the hygroscopic cap to allow air to escape the air vent. Air will exit with the cap fully tightened in place.
3. If the hygroscopic cap is not fully tightened, water may leak from the cap. Simply tighten the cap securely.

4.4. Low Water Cutoff Device

- The EXALT is equipped with a factory installed pressure sensor type Low Water Cut Off (LWCO).
- The minimum operating system pressure is 7 psi. In the event that the pressure falls below 7 psi the burner will deactivate until proper pressure has been restored.
- Check local codes if a Low Water Cutoff is required. If so, determine if this device meets their requirements.

NOTICE

The EXALT control system also senses the water temperatures entering and exiting the heat exchanger to provide protection against low water conditions. Where local codes and jurisdiction do not accept a pressure device for low water protection, the jurisdiction may accept this EXALT integral control function as a means of providing low water protection.

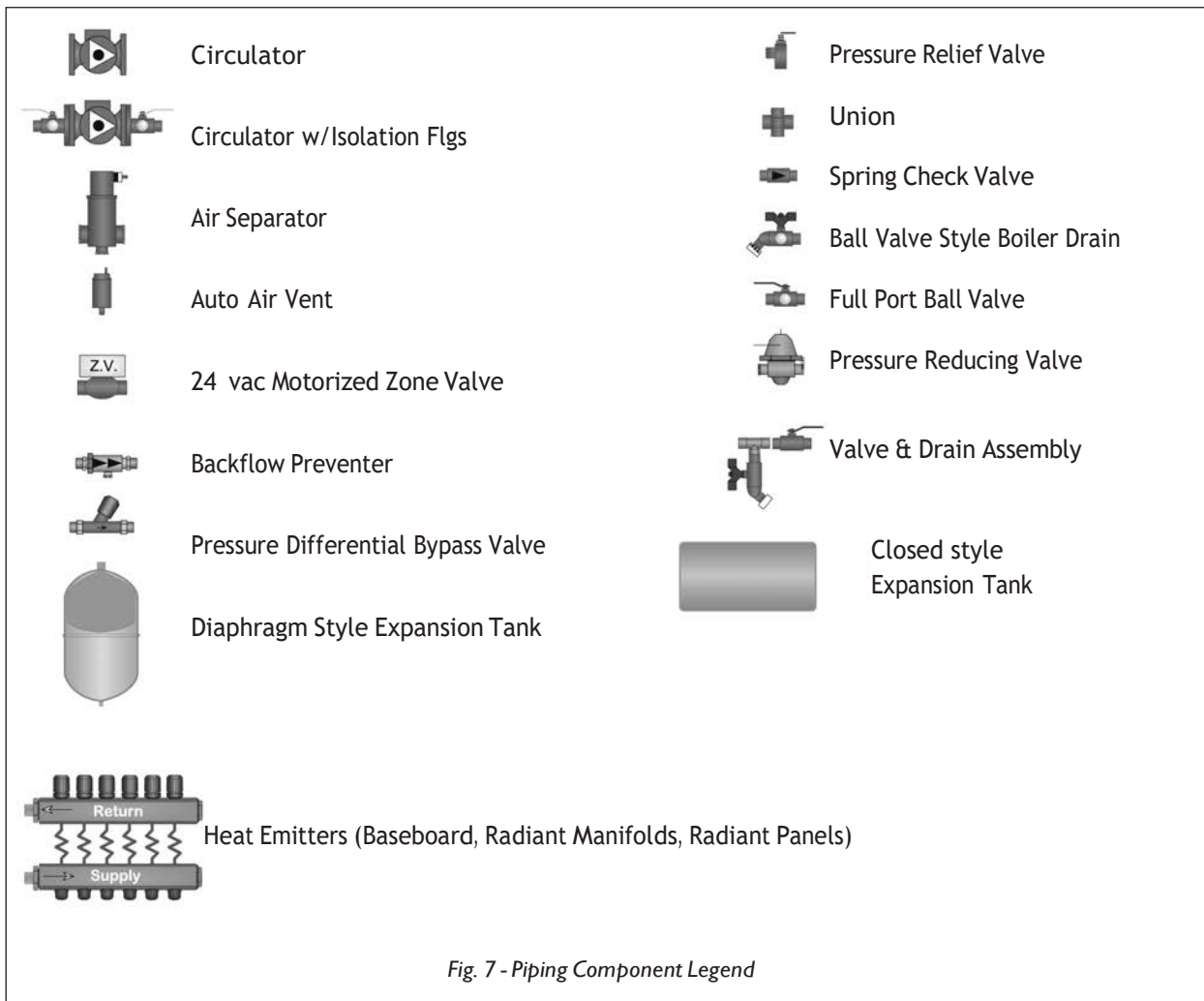


Fig. 7 - Piping Component Legend

CHAPTER 4 - BOILER PIPING

4.5. Additional Limit Control

If a separate Low Water Cut Off (LWCO) is required by the local jurisdiction or when the boiler is installed above the system piping, the following guidelines must be followed:

- The LWCO must be designed for water installations, electrode probe-type is recommended.
- The LWCO must be installed in a tee connection on the boiler supply piping above the boiler.
- Wiring of the LWCO to the EXALT is done directly onto the low voltage terminal strip. Reference Fig. 30 on page 46 for available external limit (manual or auto reset) terminals.

If the installation is to comply with ASME or Canadian requirements, an additional high temperature limit may be required. Consult local code requirements to determine compliance. The limit should be installed as follows:

- Install the limit in the boiler supply piping between the boiler and any isolation valve.
- Consult heat exchanger for maximum temperature set point.
- For wiring of the limit, reference Fig. 30 on page 46. Wire the limit to the manual reset terminals on the low voltage terminal strip. An open manual reset limit will require a manual reset of the control.

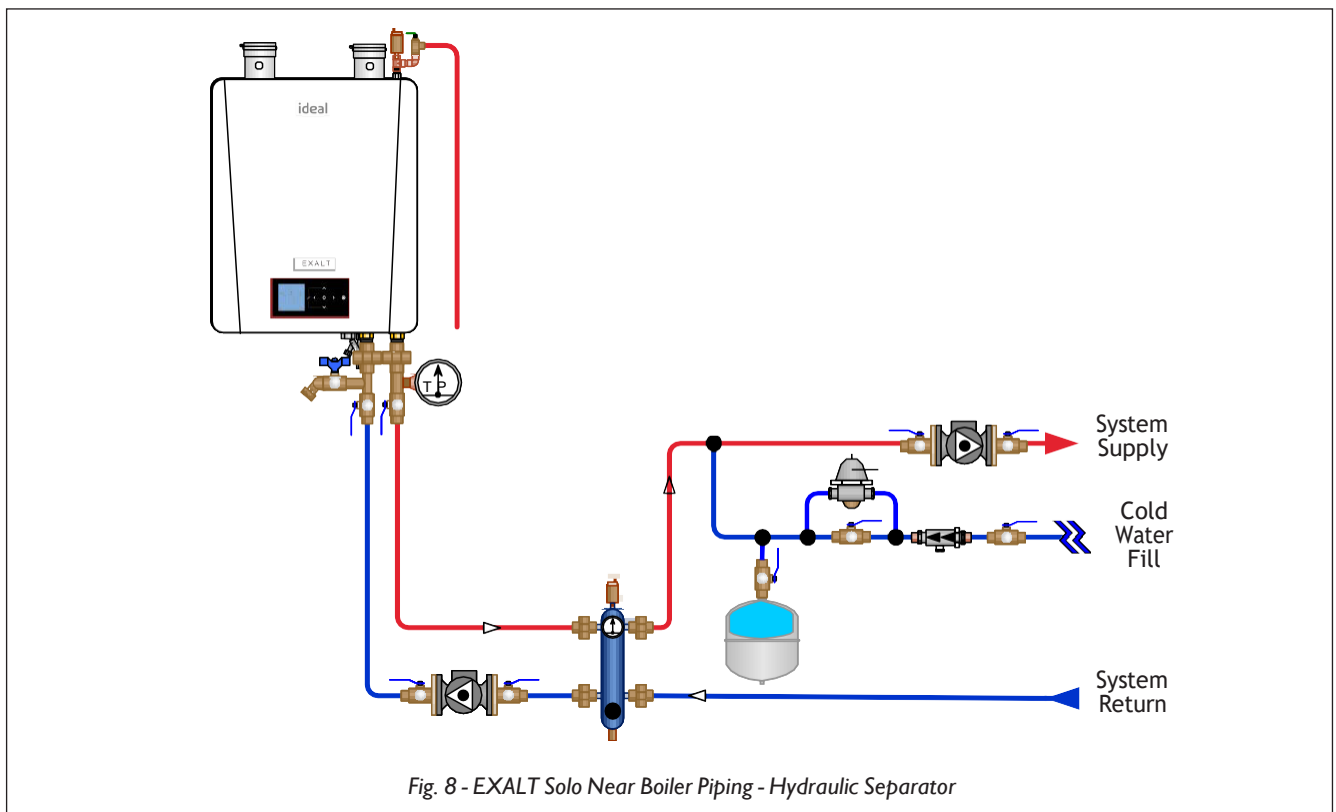
4.6. Backflow Preventer

- Use a backflow preventer valve in the make-up water supply to the unit as required by local codes.

4.7. EXALT Solo Boiler System Piping

BEST PRACTICE

- *It is recommended on all piping applications to utilize a primary/secondary piping arrangement as a means to provide freeze protection of the boiler, which is an integral function of the boiler control. Maintain at least the minimum boiler flow rate shown in the Graphs of Chapter 19 on page 101. For other piping arrangements, contact Ideal Technical Support or consult other approved/recognized design arrangements.*
- *On piping applications utilizing a single zone or other recognized piping design arrangements, it is recommended that the installer uses flow/check valves with weighted seats at or near the EXALT Solo to prevent gravity circulation.*



CHAPTER 4 - BOILER PIPING

4.7.1 Expansion Tank and Makeup Water

Ensure the expansion tank is properly sized for the boiler volume:

- 2 gallons [8 L] for the EXALT Solo 110
- 3 gallons [12 L] for the EXALT Solo 155
- 4 gallons [15 L] for EXALT Solo 199

the system water volume, and the system water temperature.

CAUTION

Undersized expansion tanks will cause system water to be lost through the pressure relief valve and cause additional makeup water to be added to the system. Eventual boiler heat exchanger failure can result due to this excessive makeup water addition.

The expansion tank must be located as shown in *Fig. 8 on page 17 and Fig. 9 below*, when using a primary/secondary piping arrangement or as per recognized design methods. Refer to the expansion tank manufacturer for additional installation details.

Connect the expansion tank to an air separator only if the air separator is located on the suction side (inlet) of the system circulator. Always locate and install the system fill connection at the same location as the expansion tank connection to the system.

4.7.2 Diaphragm Expansion Tank

Always install an automatic air vent on top of the air separator to remove residual air from the system.

4.7.3 Closed-Type Expansion Tank

It is recommended to pitch any horizontal piping upwards toward the expansion tank 1 inch per 5 feet of piping. Use 3/4" piping to the expansion tank to allow air within the system to rise.

NOTICE

DO NOT install automatic air vents on a closed-type expansion tank system. Air must remain in the system and be returned to the expansion tank to provide an air cushion. An automatic air vent would cause air to be vented from the system resulting in a water-logged expansion tank.

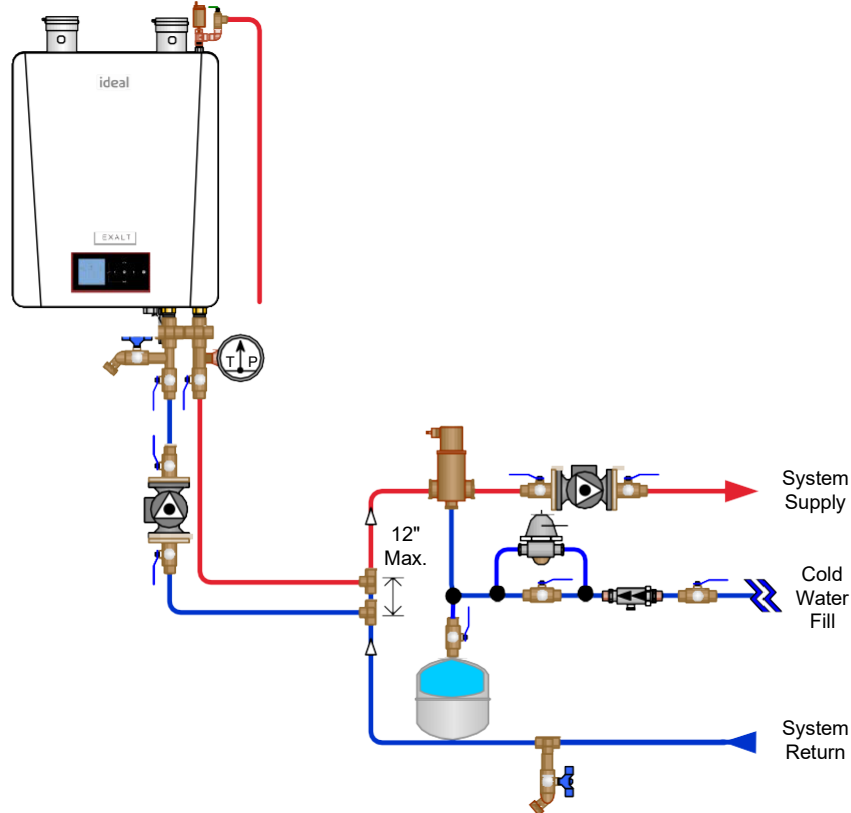


Fig. 9 - Near Boiler Piping - Closely Spaced Tees

4.7.4 Circulator

A circulator with flow check must be utilized with the EXALT Solo. The circulator, when wired directly to the EXALT, will allow for domestic hot water priority and provide circulation for the freeze protection feature of the boiler control. See the Graphs in *Chapter 19 on page 101* for pressure drop and minimum flow rate through the boiler.

4.7.5 Sizing Primary Piping

See *Fig. 8 on page 17 through Fig. 9 on page 18 and Fig. 21 on page 33 through Fig. 22 on page 34*, for recommended piping arrangements based on various applications. Size the piping and system components required in the space heating system using recognized design methods.

4.7.6 Domestic Hot Water System Piping

See *Fig. 21 on page 33 through Fig. 22 on page 34* for recommended piping to a DHW system. This recommended piping configuration ensures priority is given to the production and recovery of DHW.

The piping for DHW is separate from the boiler system piping and does not require a primary / secondary piping configuration.

To wire the DHW circulator to the boiler control module, reference *Chapter 8 on page 45*.

4.7.7 System Piping - Zone Circulators

Connect the EXALT Solo to the system piping as shown in *Fig. 21 on page 33* when zoning with zone circulators. The installer must provide a separate circulator for each zone of space heating.

NOTICE

To ensure an adequate flow rate through the EXALT Solo, the boiler supply and return piping size must be a minimum of 1 inch for the EXALT Solo 110, 1-1/4 inch for the EXALT Solo 155/199.

4.7.8 System Piping - Zone Valves

Connect the EXALT Solo to the system piping as shown in *Fig. 21 on page 33* when zoning with zone valves.

NOTICE

To ensure an adequate flow rate through the EXALT Solo, the boiler supply and return piping size must be a minimum of 1 inch for the EXALT Solo 110, 1-1/4 inch for the EXALT Solo 155/199.

4.7.9 System Piping - Through Boiler

Primary / secondary piping is preferred, but is not required for smaller systems (1 to 3 zones) provided that at least the minimum flow rate through the boiler is maintained at all times. The circulator must be sized to overcome the pressure drop through the system as well as the EXALT Solo. See the Graphs in *Chapter 19 on page 101* for pressure drop and minimum flow rate through the boiler.

Fig. 21 on page 33 illustrates a multiple zone valve system with a single system/boiler circulator. A by-pass loop with a pressure differential valve must be installed on the system piping.

Fig. 22 on page 34 illustrates a single zone system utilizing the boiler circulator as the system circulator.

4.7.10 System Piping - Radiant Heating

The heat exchanger design of the EXALT Solo allows operation in a condensing mode. This feature requires no regulation of the return water temperature back to the boiler in radiant heating applications. The design and construction of the EXALT Solo heat exchanger allows the installation of the boiler on systems with non - oxygen barrier tubing.

NOTICE

The boiler water supply temperature can be maintained by the EXALT Solo, potentially eliminating the need for a mixing system to achieve the desired temperature if all zones of heat require the same temperature setpoint.

It is recommended to install a high temperature limit to ensure that the primary supply temperature does not exceed the maximum allowable temperature for the radiant tubing.

NOTICE

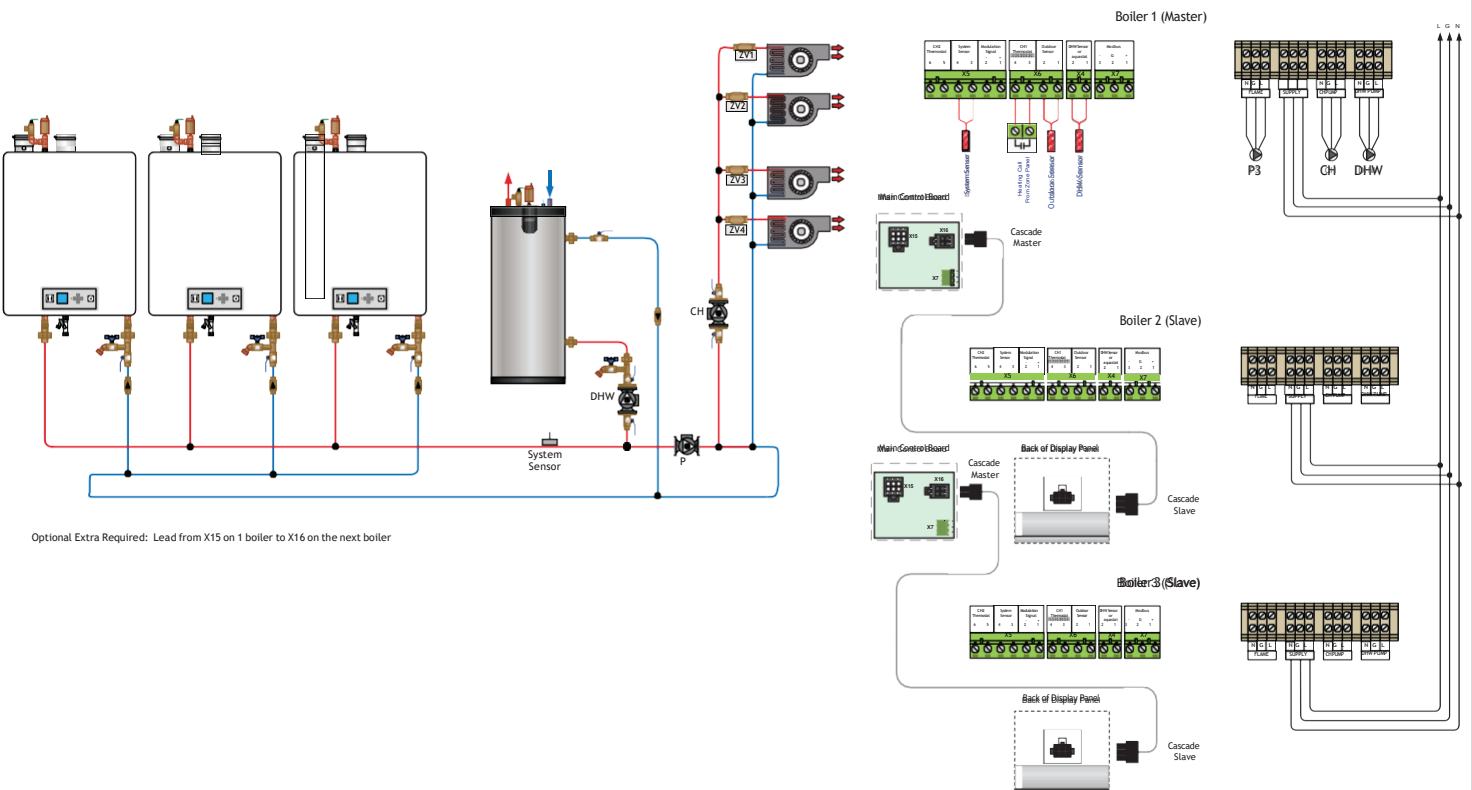
The addition of a high temperature limit is important if the EXALT Solo is connected to a domestic hot water system, which requires a high primary supply water temperature.

Size the system piping and circulator to provide the flow needed for the radiant system.

EXALT SOLO PRESET PUMP CONFIGURATION

| Heat Call | Flame | CH Pump | DHW Pump |
|-----------|-------|---------|----------|
| CH1 | ON | ON | OFF |
| CH2 | ON | ON | OFF |
| DHW | OF | OF | ON |

Note. EXALT Solo is pre-configured for this installation



Optional Extra Required: Lead from X15 on 1 boiler to X16 on the next boiler

Fig. 10-3 Boiler Cascade, | System Pump, | CH Pump and | DHW Pump

NOTICE

To ensure an adequate flow rate through the EXALT Solo, the boiler supply and return piping size must be a minimum of 1 inch for the EXALT Solo 110, 1-1/4 inch for the EXALT Solo 155/199.

4.7.11 System Piping - Special Application

If the boiler is used in conjunction with a chilled water/medium system, the boiler and chiller must be piped in parallel. Install flow/check valves to prevent the chilled medium from entering the boiler.

If the boiler is used to supply hot water to the heating coils of an air handler where they may be exposed to chilled air circulation, install flow/check valves or other automatic devices to prevent gravity circulation of the boiler water during cooling cycles.

4.7.12 System Piping - Multiple Units Installation

Use a balanced manifold system as the primary / secondary connection to the space heating piping.

For the space heating piping, refer to the applications mentioned in this manual or use recognized design methods.

4.8. EXALT Combi Boiler System Piping

BEST PRACTICE

It is recommended on all piping applications to utilize a primary/secondary piping arrangement as a means to provide freeze protection of the boiler, which is an integral function of the boiler control. Maintain at least the minimum boiler flow rate shown in the Graphs of Chapter 19 on page 101. For other piping arrangements, contact Ideal Technical Support or consult other approved/recognized design arrangements.

On piping applications utilizing a single zone or other recognized piping design arrangements, it is recommended that the installer uses flow/check valves with weighted seats at or near the EXALT Combi to prevent gravity circulation.

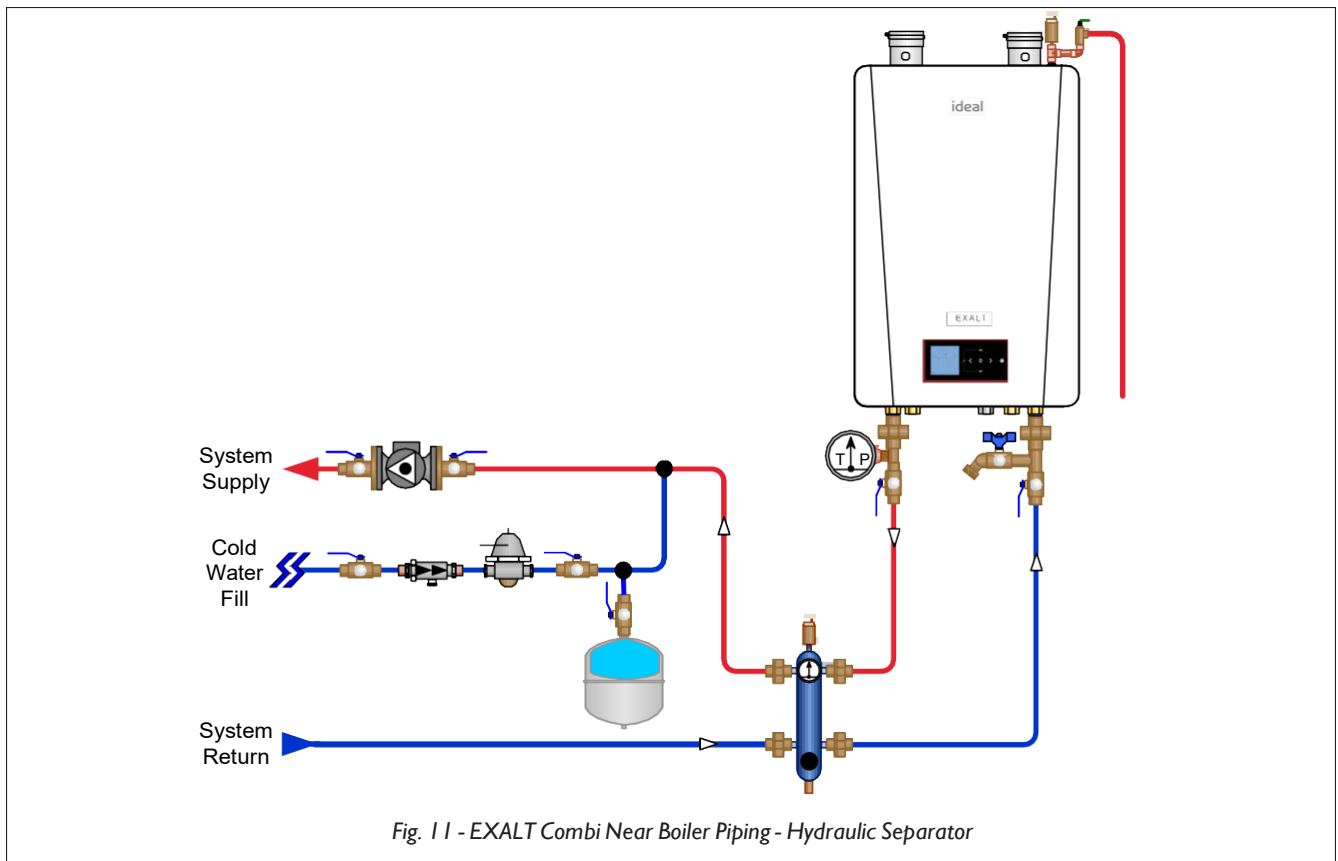


Fig. 11 - EXALT Combi Near Boiler Piping - Hydraulic Separator

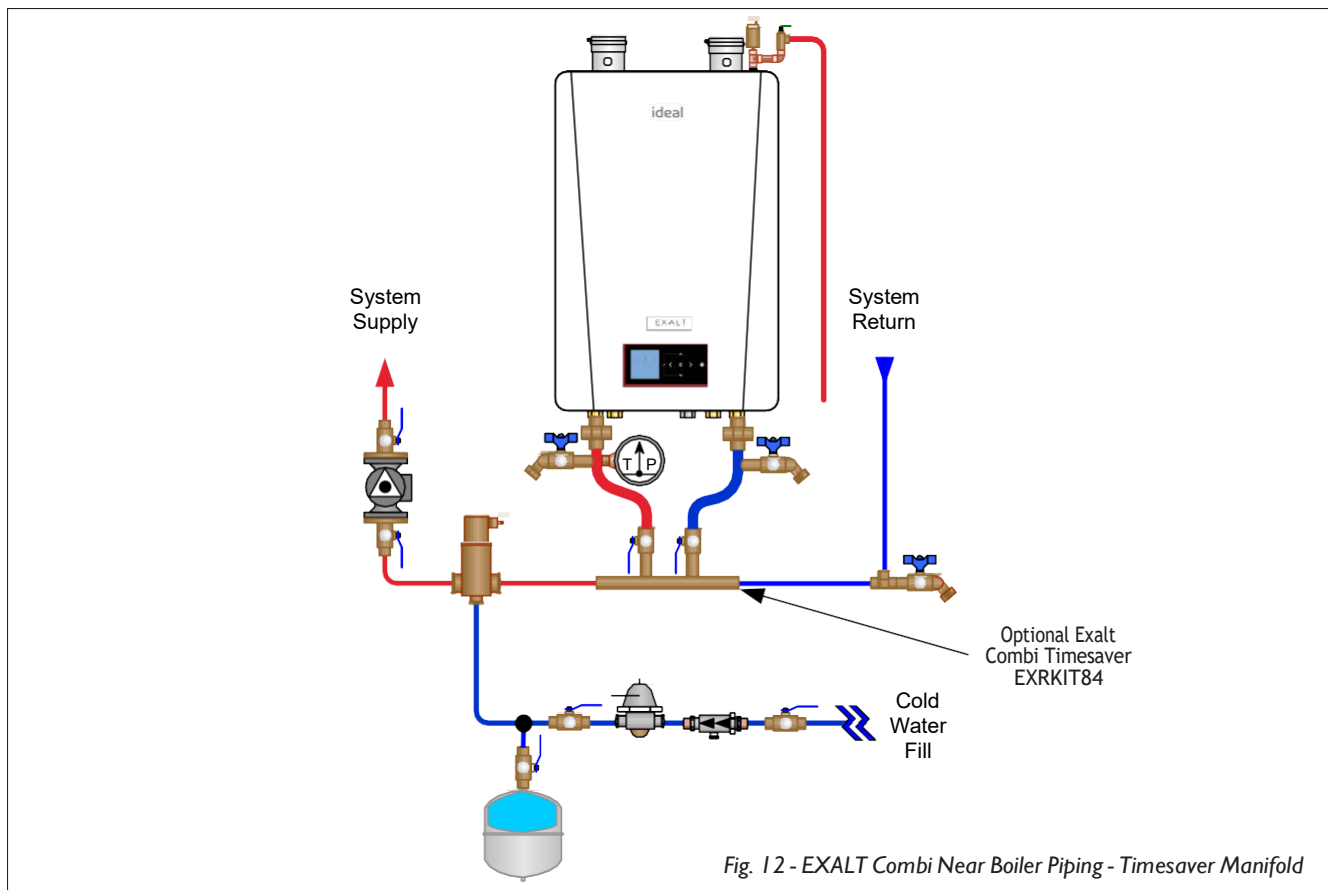


Fig. 12 - EXALT Combi Near Boiler Piping - Timesaver Manifold

4.8.1 Expansion Tank and Makeup Water

Ensure the expansion tank is properly sized for the boiler volume:

- 3 gallons [12 L] for the EXALT Combi 155
- 4 gallons [15 L] for the EXALT Combi 199

the system water volume, and the system water temperature.

CAUTION

Undersized expansion tanks will cause system water to be lost through the pressure relief valve and cause additional makeup water to be added to the system. Eventual boiler heat exchanger failure can result due to this excessive makeup water addition.

The expansion tank must be located as shown in Fig. 11 on page 21 when using a primary/secondary piping arrangement. Refer to the expansion tank manufacturer for additional installation details.

Connect the expansion tank to an air separator only if the air separator is located on the suction side (inlet) of the system circulator. Always locate and install the system fill connection at the same location as the expansion tank connection to the system.

CAUTION

The expansion tank must be located directly on the EXALT Combi return pipe, before the return check valve. Incorrect expansion tank location will cause system water to be lost through the pressure relief valve and cause additional makeup water to be added to the system. Eventual boiler heat exchanger failure can result due to this excessive makeup water addition.

4.8.2 Diaphragm Expansion Tank

Always install an automatic air vent on top of the air separator to remove residual air from the system.

4.8.3 Circulator

The EXALT Combi is supplied with a Boiler circulator that provides circulation for central/space heating (CH) and Domestic Hot Water (DHW) production. See Graph 2 on page 112.

4.8.4 Sizing Primary Piping

See Fig. 11 on page 21 through Fig. 15 on page 26, for recommended piping arrangements based on various applications. Size the piping and system components required in the space heating system using recognized design methods.

4.8.5 System Piping - Zone Circulators

Connect the EXALT Combi to the system piping as shown in Fig. 13 on page 24 when zoning with zone circulators.

The installer must provide a separate circulator for each zone of space heating.

NOTICE

To ensure an adequate flow rate through the EXALT Combi, the boiler supply and return piping size must be a minimum of 1-1/4 inch for the EXALT Combi 155/199.

4.8.6 System Piping - Zone Valves

Connect the EXALT Combi to the system piping as shown in Fig. 13 on page 24 when zoning with zone valves.

NOTICE

To ensure an adequate flow rate through the EXALT Combi, the boiler supply and return piping size must be a minimum of 1-1/4 inch for the EXALT Combi 155/199.

4.8.7 System Piping - Through Boiler

Primary / secondary piping is preferred, but is not required for smaller systems (1 to 3 zones) provided that at least the minimum flow rate through the boiler is maintained at all times. The internal circulator must be able to overcome the pressure drop through the system as well as the EXALT Combi. See the Graphs on page 112 for pressure drop and minimum flow rate through the boiler.

Fig. 13 on page 24 and Fig. 14 on page 25 illustrates a multiple zone valve system with a single system/boiler circulator. A by-pass loop with a pressure differential valve must be installed on the system piping.

Fig. 15 on page 26 illustrates a single zone system utilizing the boiler circulator as the system circulator.

4.8.8 System Piping - Radiant Heating

The heat exchanger design of the EXALT Combi allows operation in a condensing mode. This feature requires no regulation of the return water temperature back to the boiler in radiant heating applications. The design and construction of the EXALT Solo heat exchanger allows the installation of the boiler on systems with non - oxygen barrier tubing.

The boiler water supply temperature can be maintained by the EXALT Combi, potentially eliminating the need for a mixing system to achieve the desired temperature if all zones of heat require the same temperature setpoint.

It is recommended to install a high temperature limit to ensure that the primary supply temperature does not exceed the maximum allowable temperature for the radiant tubing.

NOTICE

The addition of a high temperature limit is important if the EXALT Combi is connected to a domestic hot water system, which requires a high primary supply water temperature.

Size the system piping and circulator to provide the flow needed for the radiant system.

NOTICE

To ensure an adequate flow rate through the EXALT Combi, the boiler supply and return piping size must be a minimum of 1-1/4 inch for the EXALT Combi 155/199.

4.8.9 System Piping - Special Application

If the boiler is used in conjunction with a chilled water/medium system, the boiler and chiller must be piped in parallel. Install flow/check valves to prevent the chilled medium from entering the boiler.

If the boiler is used to supply hot water to the heating coils of an air handler where they may be exposed to chilled air circulation, install flow/check valves or other automatic devices to prevent gravity circulation of the boiler water during cooling cycles.

4.9. Optional System Piping and Cascading

Several additional configurations (cascading, etc.) are possible with EXALT Solo Units, provided an optional wiring kit is used. Please refer to Fig. 10 on page 20 for more information.

EXALT COMBI PRESET PUMP CONFIGURATION

| Heat Call | Flame | CH Pump | DHW Pump |
|-----------|-------|---------|----------|
| CH1 | ON | ON | OFF |
| CH2 | ON | ON | OFF |
| DHW | OFF | ON | ON |

Note. EXALT Combi is pre-configured for this installation

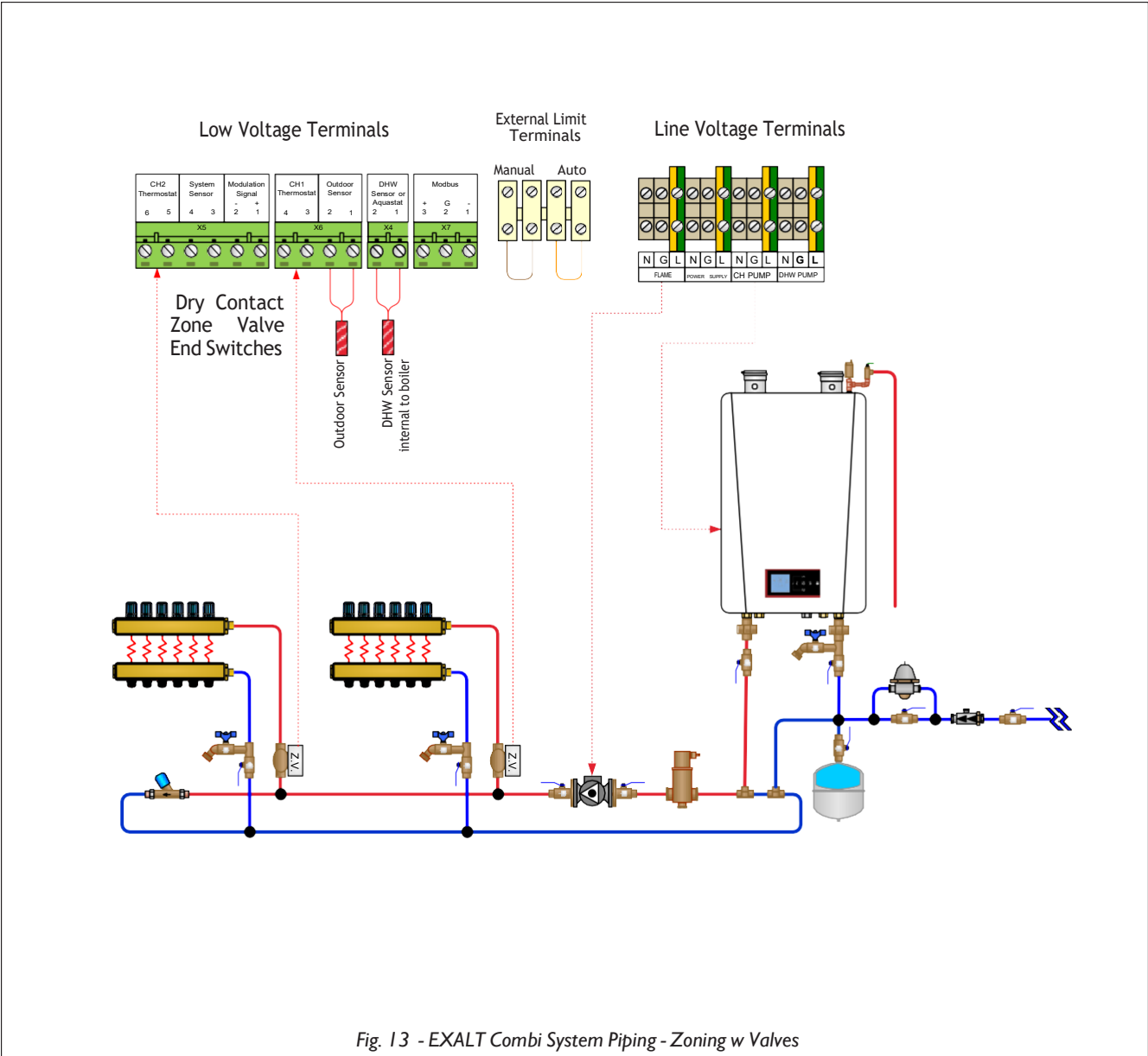


Fig. 13 - EXALT Combi System Piping - Zoning w Valves

EXALT COMBI PRESET PUMP CONFIGURATION

| Heat Call | Flame | CH Pump | DHW Pump |
|-----------|-------|---------|----------|
| CH1 | ON | ON | OFF |
| CH2 | ON | ON | OFF |
| DHW | OFF | ON | ON |

Note. EXALT Combi is pre-configured for this installation

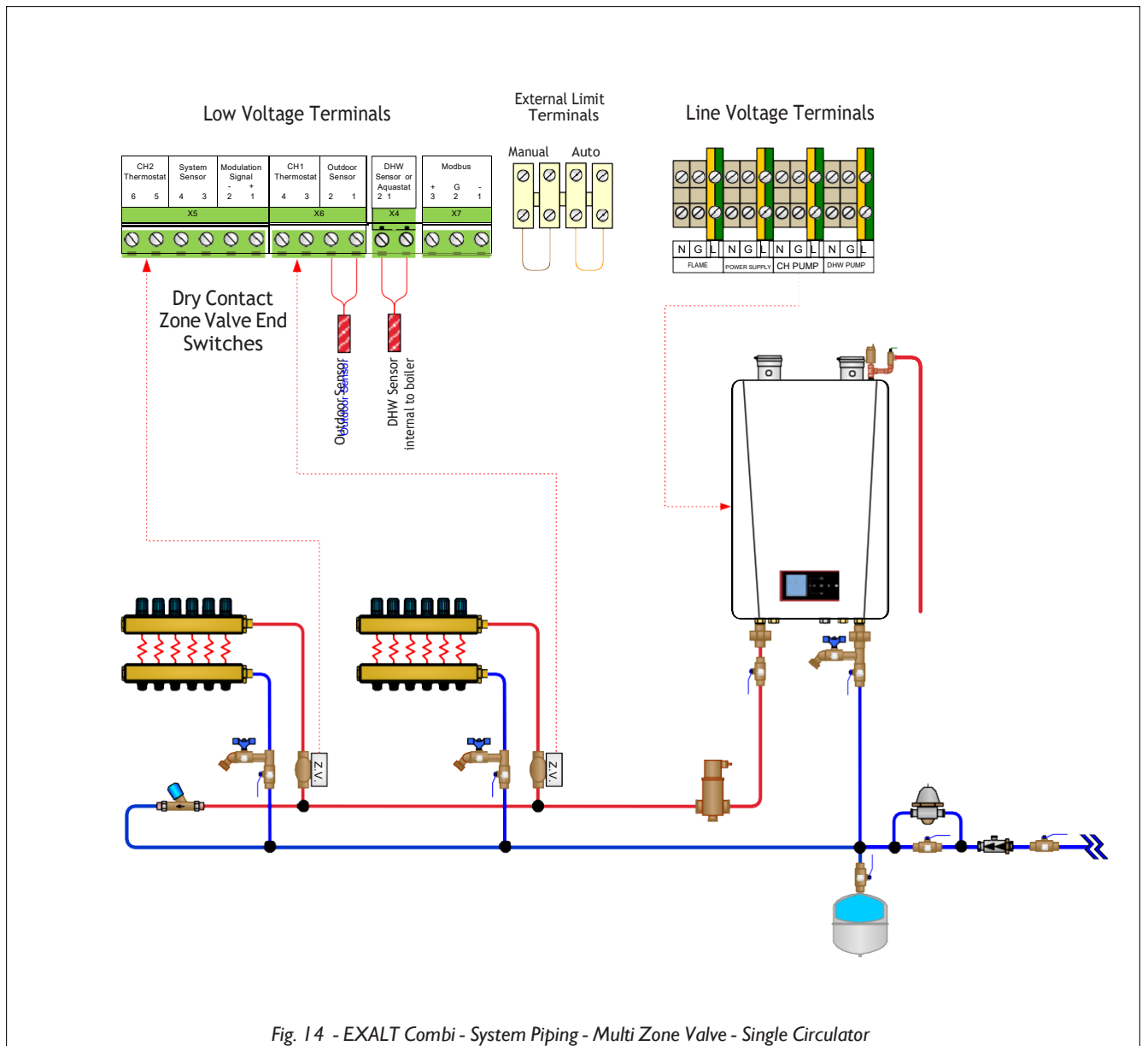


Fig. 14 - EXALT Combi - System Piping - Multi Zone Valve - Single Circulator

CHAPTER 4 - BOILER PIPING

EXALT COMBI PRESET PUMP CONFIGURATION

| Heat Call | Flame | CH Pump | DHW Pump |
|-----------|-------|---------|----------|
| CH1 | ON | ON | OFF |
| CH2 | ON | ON | OFF |
| DHW | OFF | ON | ON |

Note. EXALT Combi is pre-configured for this installation

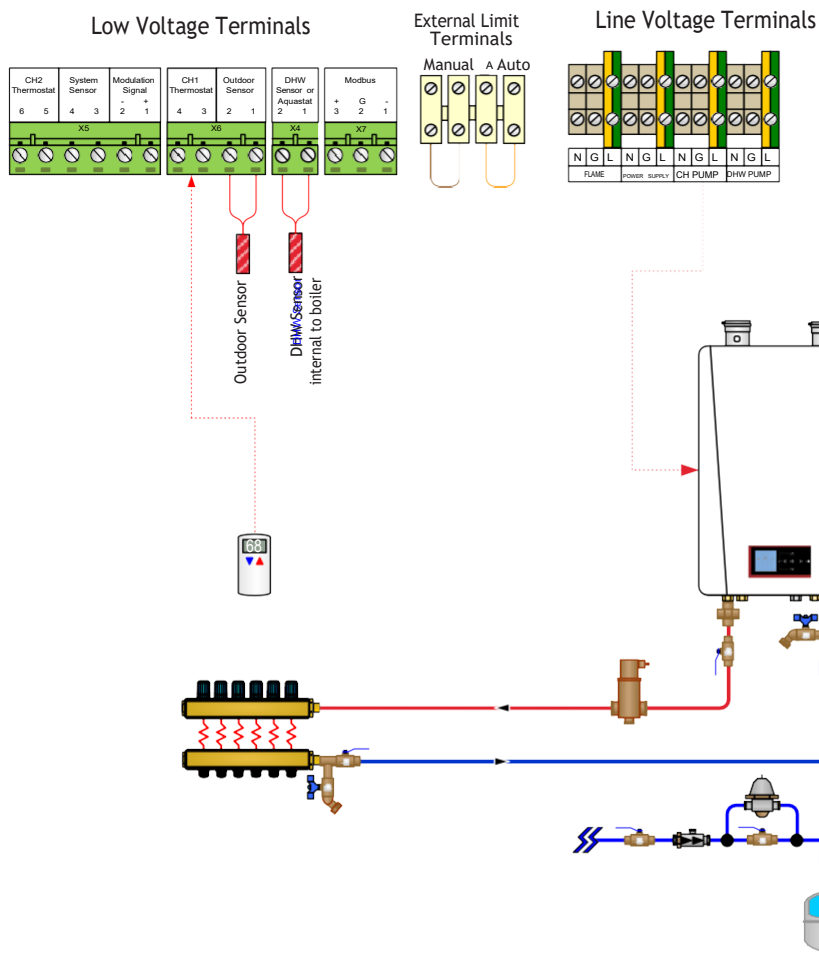


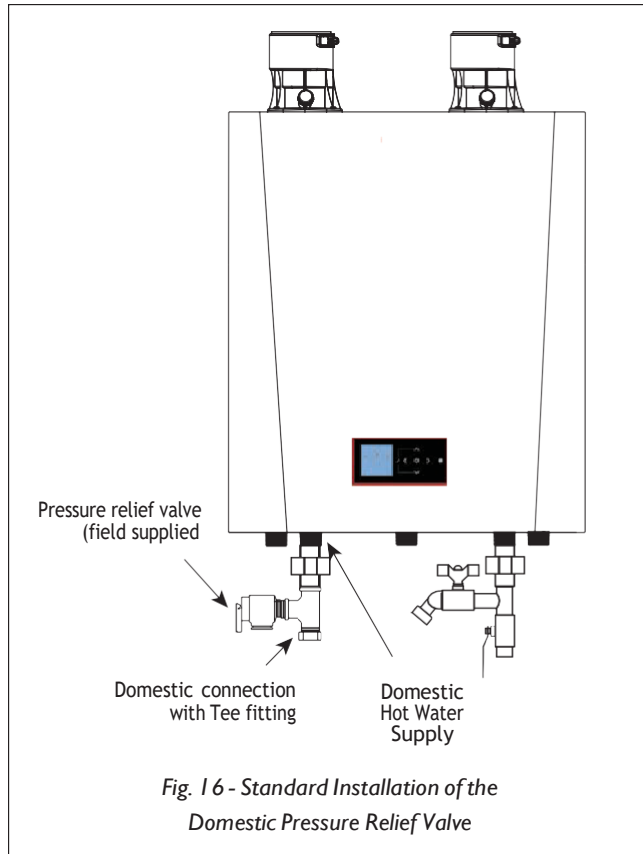
Fig. 15 - EXALT Combi - System Piping - Single Zone with Single Circulator

CHAPTER 5 - EXALT COMBI UNITS - DOMESTIC PIPING

5.1. Domestic Piping Pressure Relief Valve

5.1.1 Standard Installation

Install pressure relief valve onto the domestic piping as shown in Fig 16 below.



5.1.2 Pressure Relief Valve - Standard Installations

The domestic water heater (if utilized) shall have a field supplied pressure relief valve installed within 6" [152mm] of the DHW hot outlet connection with the relief valve spindle installed in the vertical position.

The domestic water heater (if utilized) requires a field supplied pressure relief valve identified with the ASME V or HV symbol and set to relieve at or below 150 psi [10 bar] of domestic water pressure and a minimum relieving capacity of 199,000 Btu/hr with 3/4" NPT threads. For safe operation of the domestic water heater, the relief valve must not be removed from its designated location of installation or plugged.

1. The EXALT is not supplied with a 150 psi [10bar] pressure relief valve and must be piped using a pressure relief valve connected as shown in Fig. 16 on page 27

2. To avoid potential water damage to the surrounding area or potential scalding hazard due to the operation of the relief valve, the discharge piping:
 - Must be connected to the discharge outlet of the relief valve and directed to a safe place of disposal.
 - Length should be as short and direct as possible. The size of the discharge line should not be reduced, maintain the same size as the outlet of the relief valve.
 - Should be directed downward towards the floor at all times. The piping should terminate at least 6 inches [152mm] above any drain connection to allow clear visibility of the discharge.
 - Should terminate with a plain end, not with a threaded end. The material of the piping should have a serviceable temperature rating 250°F [121°C] or greater.
 - Should not be subject to conditions here freezing could occur.
 - Should not contain any shut-off valves or obstructions. No shut off valves should be piped between the appliance and relief valve.



Failure to comply with the guidelines on installing the pressure relief valve and discharge piping can result in substantial property damage, serious injury or death.

5.1.3 Pressure Relief Valve Discharge Piping

Pressure relief valve discharge piping must be:

- Made of material serviceable for temperatures of 250°F or greater.
- Directed so that hot water flows away from all persons.
- Directed to a suitable place for disposal.
- Installed so as to allow complete draining of the pressure relief valve and discharge line.

CHAPTER 5 - EXALT COMBI UNITS - DOMESTIC PIPING

Pressure relief valve discharge piping must not be:

- Excessively long. Using more than 2 elbows or 15 feet of piping can reduce discharge capacity.
- Directly connected to a drain. Terminate discharge piping within 6" from drain. Refer to local codes.
- Plugged, reduced or restricted.
- Subject to freezing.

WARNING

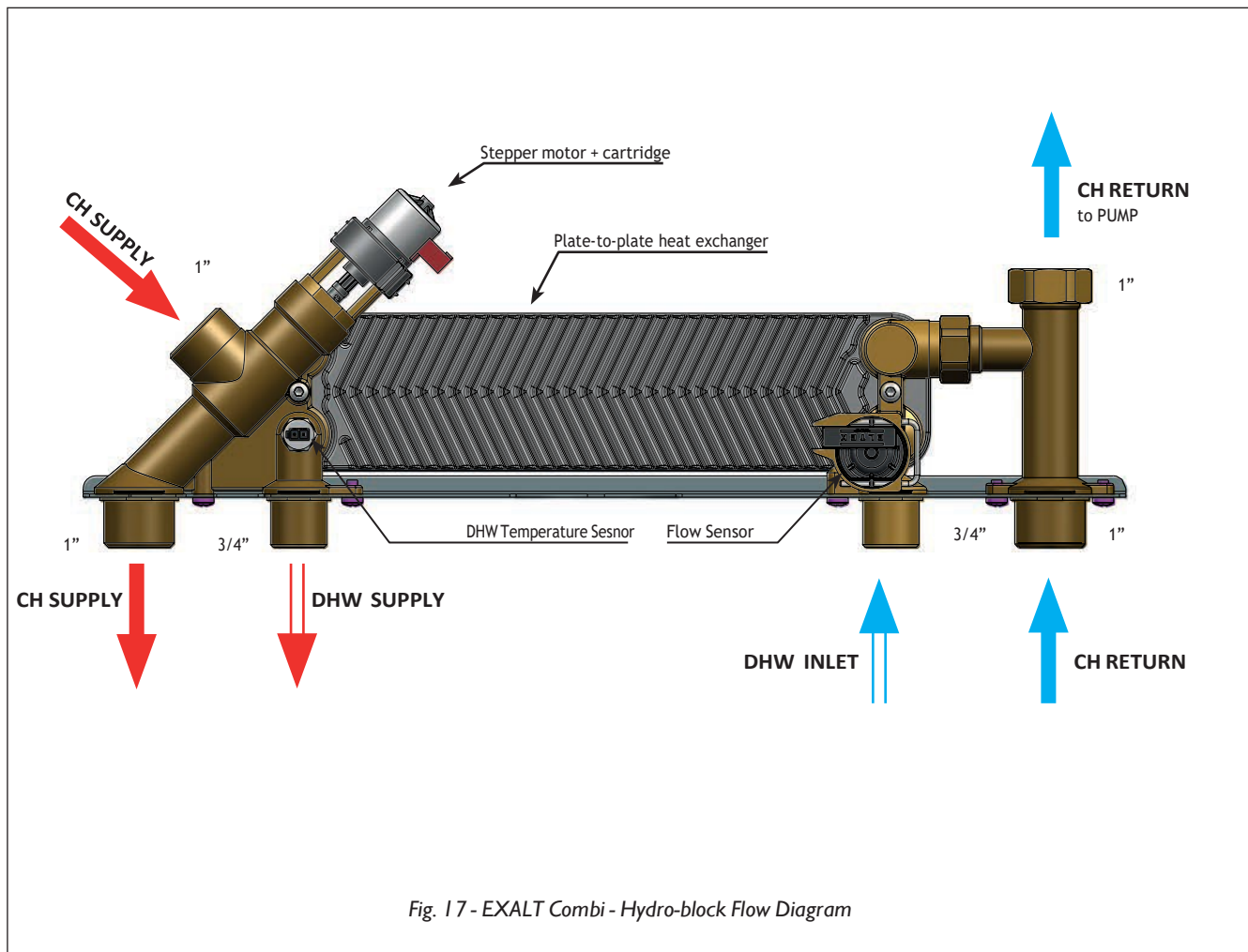
Do not install any valve between pressure relief valve and tank connection or on pressure relief valve discharge piping. Do not plug pressure relief valve or discharge piping. Improper placement and piping of T&P relief valve can cause severe personal injury, death or substantial property damage.

5.2. Thermal Expansion

If a backflow preventer, check valve or pressure reducing valve is piped on cold water supply piping of water heater, install an expansion tank on cold water supply line to prevent thermal expansion from repeatedly forcing open pressure relief valve.

NOTICE

The pressure relief valve is not intended for constant duty, such as relief of pressure due to repeated normal thermal expansion. Correct this condition by installing a properly sized expansion tank in the domestic water system. Refer to expansion tank manufacturer's installation instructions for proper sizing.



CHAPTER 5 - EXALT COMBI UNITS - DOMESTIC PIPING

5.3. Water Hammer

Dishwashers, clothes washers and fast-closing positive shut-off valves incorporated in the system all contribute to creating water shock. Install a water hammer arrester to prevent damage to pipes and appliances. See device manufacturer's instructions for application and installation.

NOTICE

Water hammering within the domestic piping system can cause premature failure of the domestic circuit of the boiler. This type of failure is NOT covered under warranty.

5.4. Vacuum Breaker

Installing a vacuum breaker on the domestic cold water inlet will prevent damage to the domestic circuit if a negative pressure is developed in the domestic supply line. See manufacturer's instructions for application and installation of the vacuum breaker.

5.5. Hydro-Block

The domestic circuit provides domestic hot water through a hydro-block. It is made of a plate-to-plate heat exchanger and connections to the primary and domestic piping. Water heated in the primary circuit (central heating) flows into the plate-to-plate heat exchanger, which in turn heats the domestic water flowing through it in its own circuit. Refer to *Fig. 17 on page 28* for flow diagram.

5.6. General Piping

- For domestic water piping diagrams, see *Fig. 17 on page 28*.
- All plumbing must meet or exceed all local, state and national plumbing codes.
- Use pipe dope or tape suitable for potable water systems.
- Use isolation valves to isolate system components.

- Use dielectric unions or couplings to protect hot and cold water fittings from corrosion when connecting dissimilar materials such as copper and galvanized iron pipe.
- When the water supply pressure is higher than 70 psig, it is recommended to install a pressure reducing valve on cold water supply line to prevent water loss through T&P relief valve.

5.7. Thermostatic Mixing Valve

A thermostatic mixing valve must be installed in the DHW circuit.

The operating range of the thermostatic mixing is 85°F [30°C] to 150°F [65°C].

For applications with a domestic recirculation loop, the recirculation pump should be controlled by an aquastat. The maximum recommended setting of the aquastat is 10°F lower than the thermostatic mixing valve setting.

If any adjustment needs to be made to the valve's temperature setpoint, refer to the manufacturer's instructions included with the valve.



For proper operation of the thermostatic mixing valve and to prevent potential scalding hazards, the recirculation loop should be controlled by an aquastat. DO NOT use continuous recirculation.

Failure to comply with this instruction will result in serious injury, or death.

CHAPTER 5 - EXALT COMBI UNITS - DOMESTIC PIPING

EXALT COMBI PRESET PUMP CONFIGURATION

| Heat Call | Flame | CH Pump | DHW Pump |
|-----------|-------|---------|----------|
| CH1 | ON | ON | OFF |
| CH2 | ON | ON | OFF |
| DHW | OFF | ON | ON |

Note. EXALT Combi is pre-configured for this installation

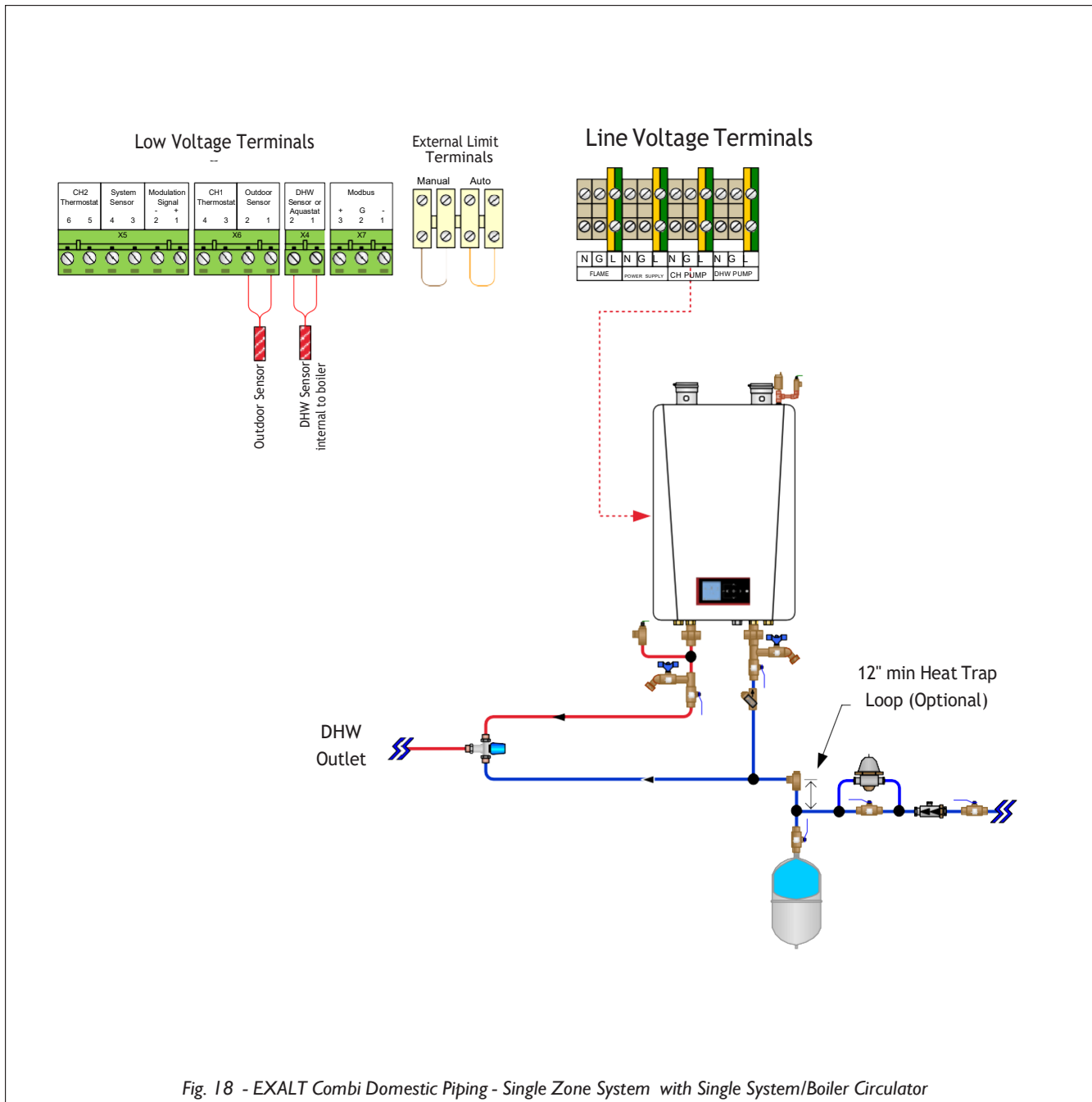


Fig. 18 - EXALT Combi Domestic Piping - Single Zone System with Single System/Boiler Circulator

CHAPTER 5 - EXALT COMBI UNITS - DOMESTIC PIPING

EXALT COMBI PRESET PUMP CONFIGURATION

| Heat Call | Flame | CH Pump | DHW Pump |
|-----------|-------|---------|----------|
| CH1 | ON | ON | OFF |
| CH2 | ON | ON | OFF |
| DHW | OFF | ON | ON |

Note. EXALT Combi is pre-configured for this installation

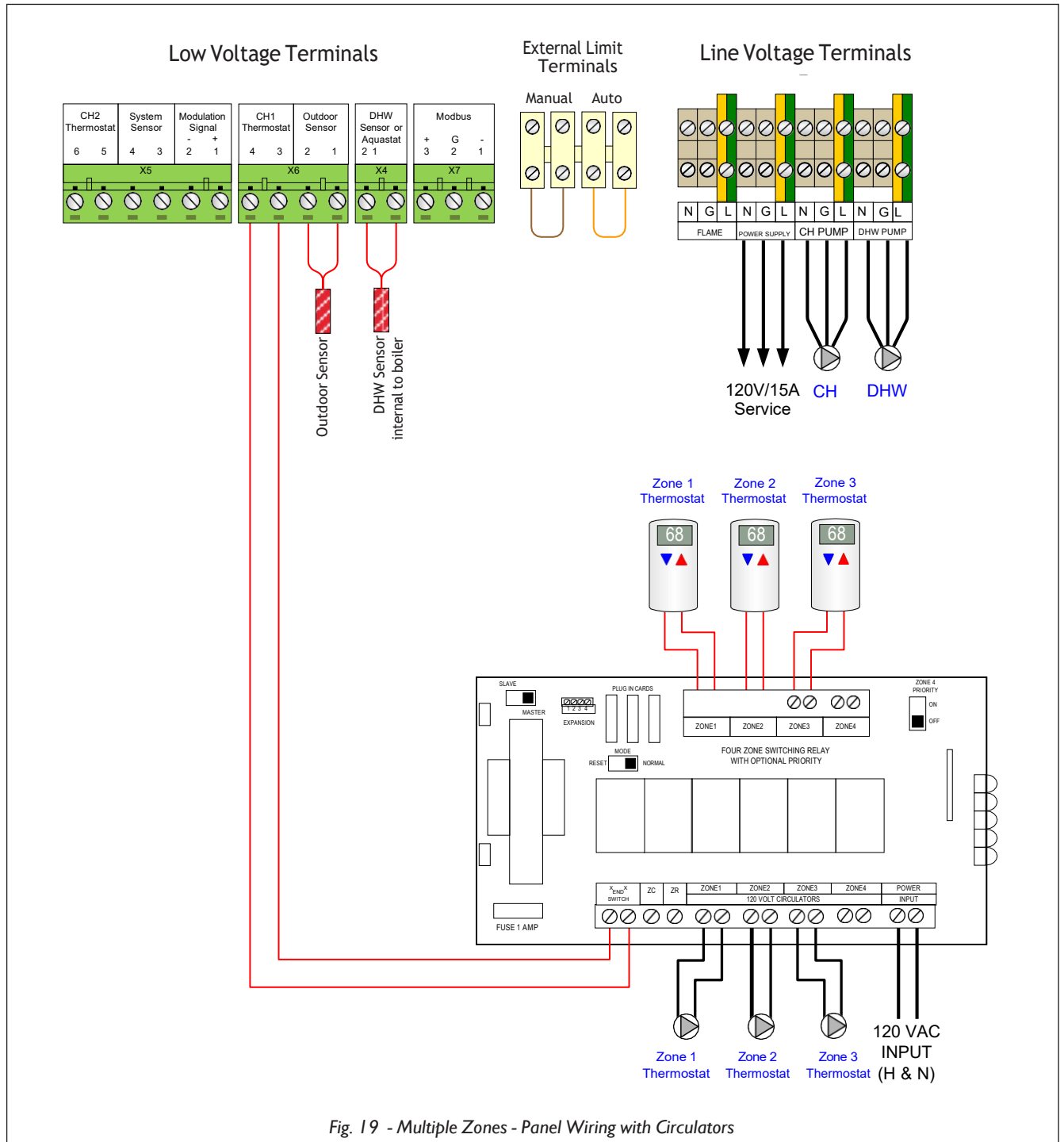
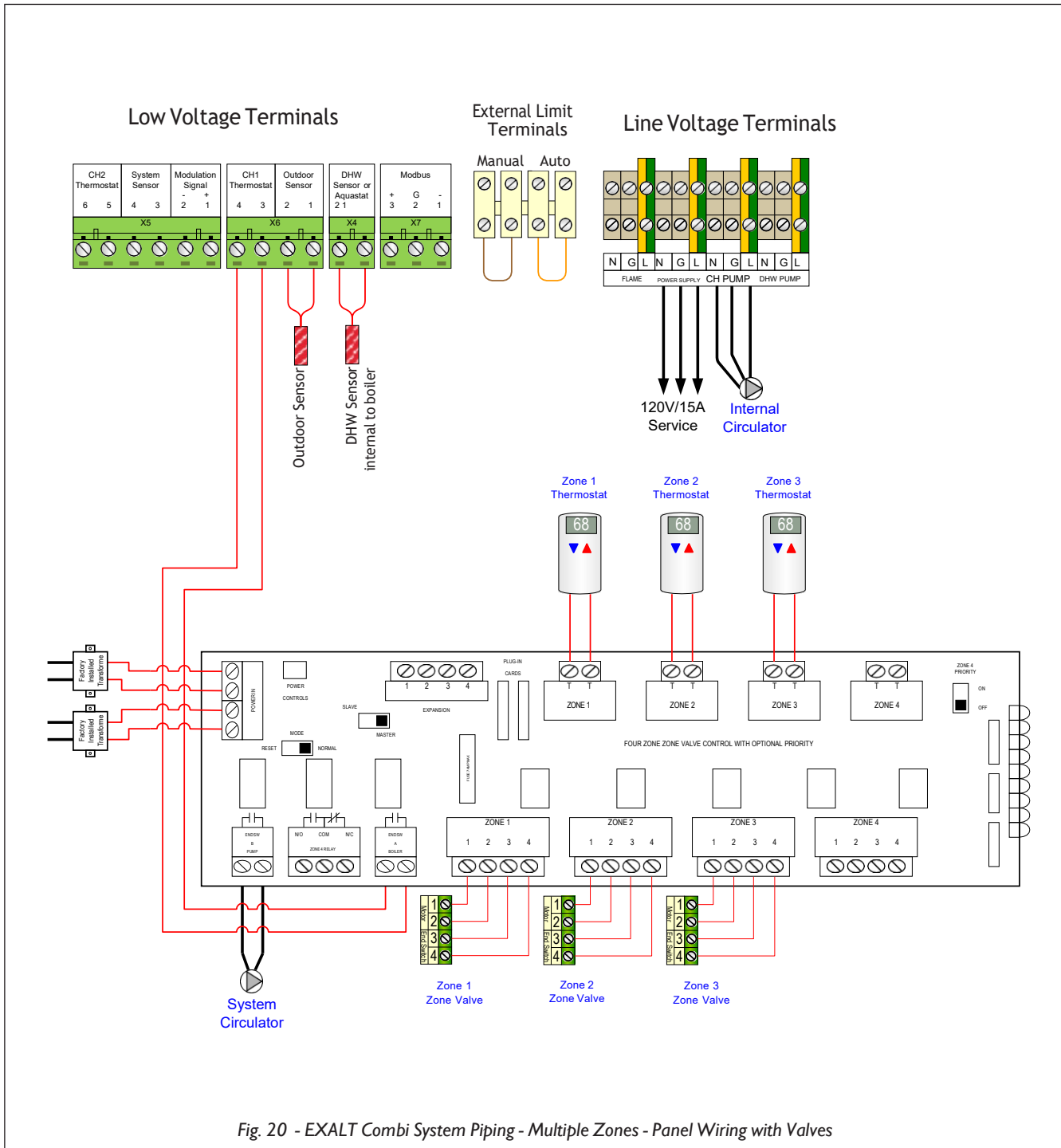


Fig. 19 - Multiple Zones - Panel Wiring with Circulators

EXALT COMBI PRESET PUMP CONFIGURATION

| Heat Call | Flame | CH Pump | DHW Pump |
|-----------|-------|---------|----------|
| CH1 | ON | ON | OFF |
| CH2 | ON | ON | OFF |
| DHW | OFF | ON | ON |

Note. EXALT Combi is pre-configured for this installation



CHAPTER 5 - EXALT SOLO UNITS - DOMESTIC PIPING

EXALT SOLO PRESET PUMP CONFIGURATION

| Heat Call | Flame | CH Pump | DHW Pump |
|-----------|-------|---------|----------|
| CH1 | ON | ON | OFF |
| CH2 | ON | ON | OFF |
| DHW | OFF | OFF | ON |

Note. EXALT Solo is pre-configured for this installation

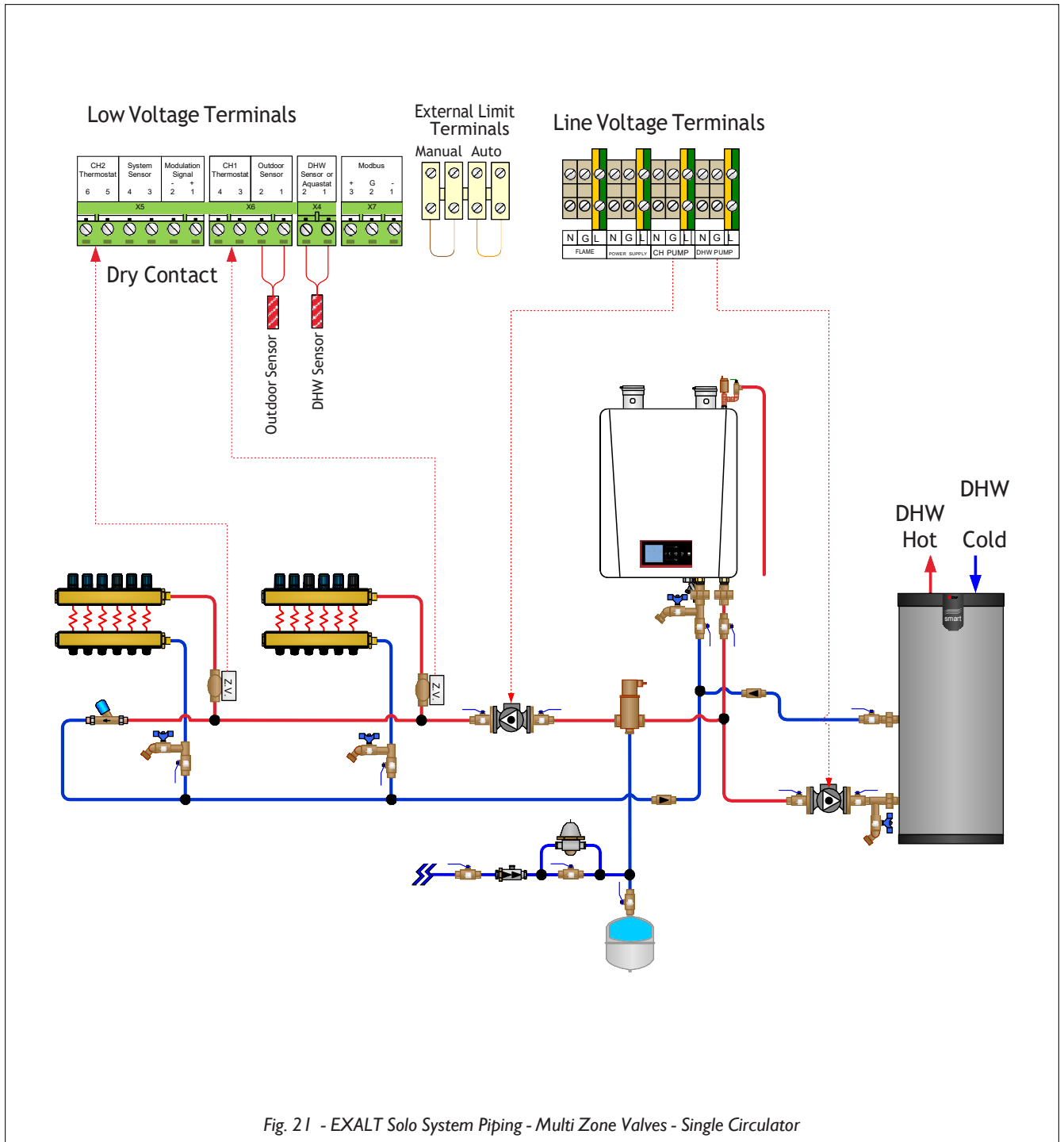


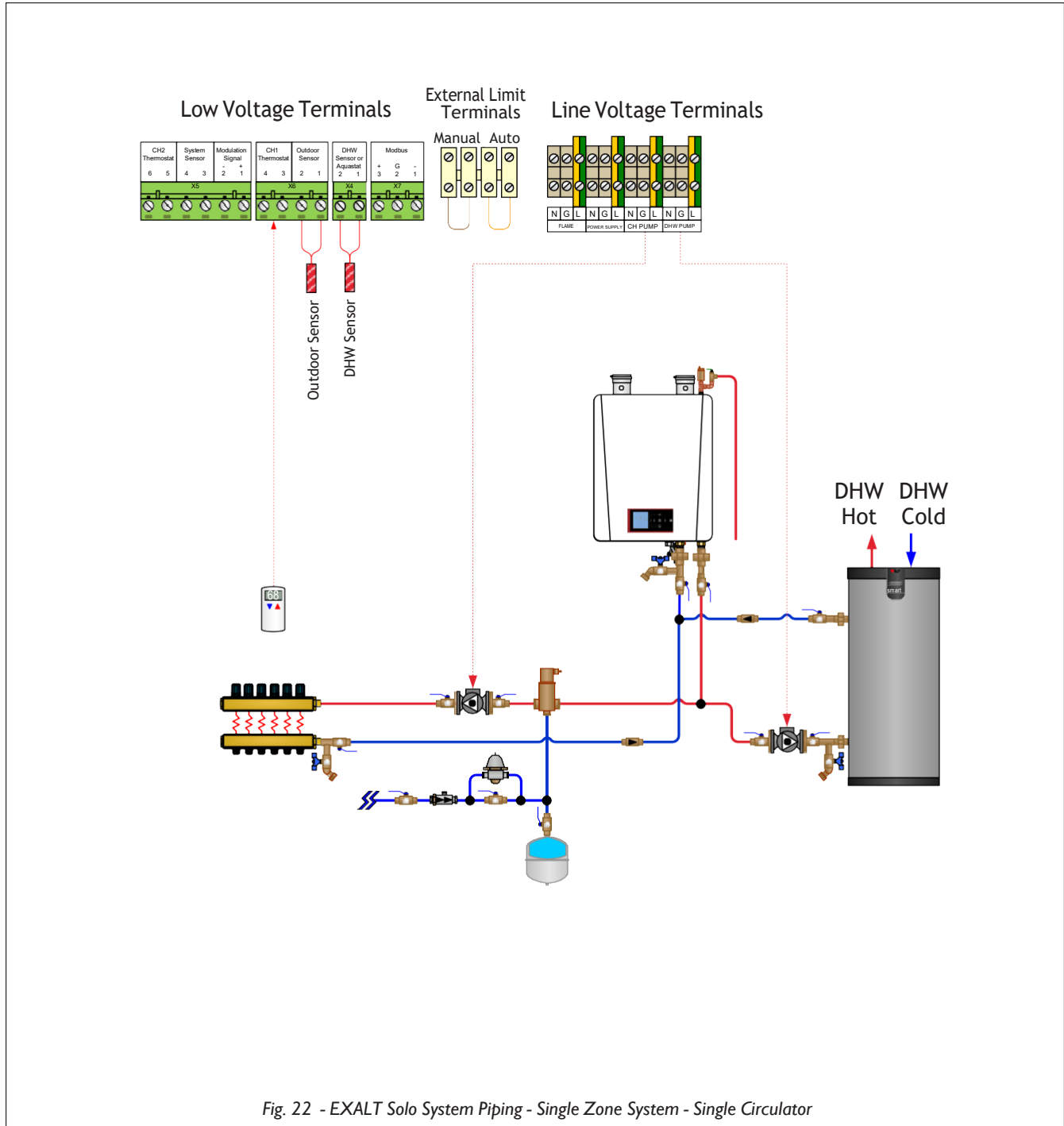
Fig. 21 - EXALT Solo System Piping - Multi Zone Valves - Single Circulator

CHAPTER 5 - EXALT SOLO UNITS - DOMESTIC PIPING

EXALT SOLO PRESET PUMP CONFIGURATION

| Heat Call | Flame | CH Pump | DHW Pump |
|-----------|-------|---------|----------|
| CH1 | ON | ON | OFF |
| CH2 | ON | ON | OFF |
| DHW | OFF | OFF | ON |

Note. EXALT Solo is pre-configured for this installation



NOTICE

Cascading is only available on Solo Boilers.

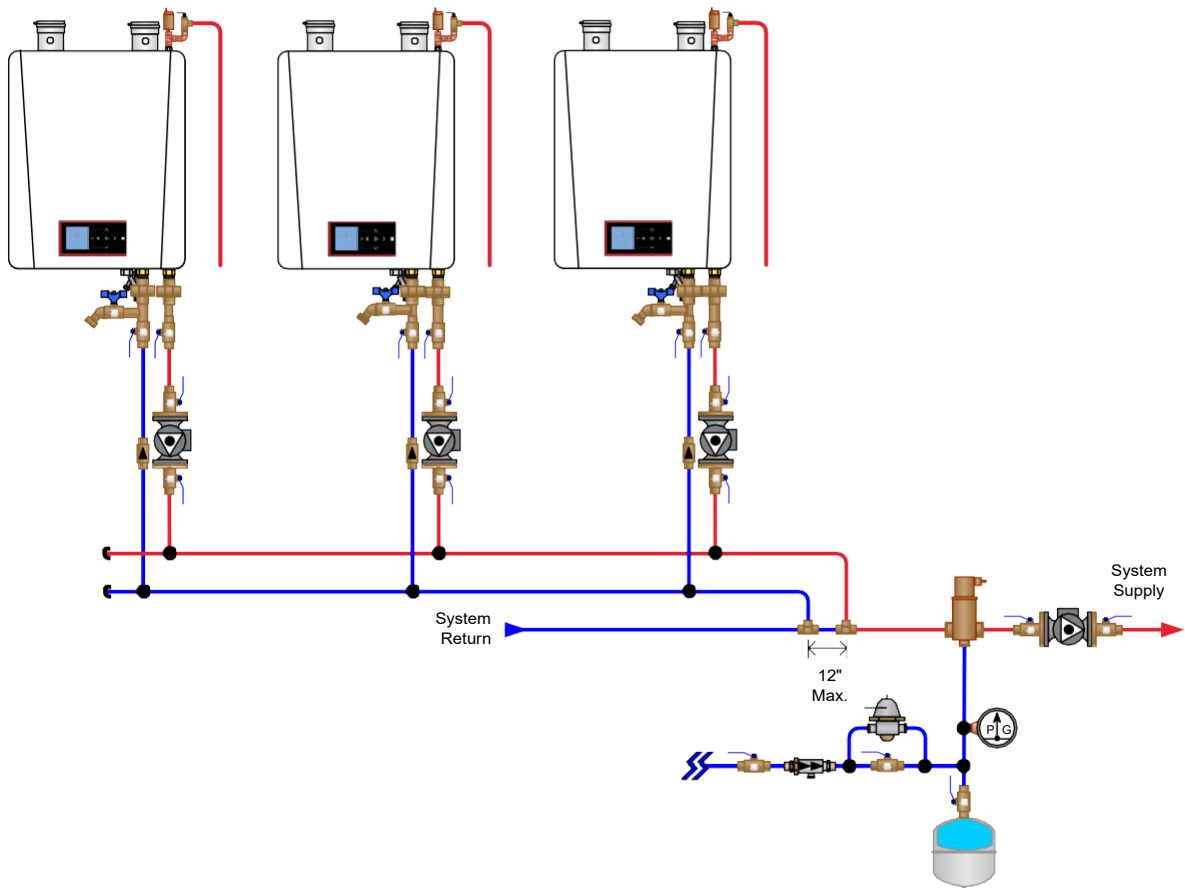


Fig. 23 - EXALT Solo - Cascade Piping

INTENTIONALLY LEFT BLANK

6.1. Installing Vent and Combustion Air



The EXALT must be vented and supplied with combustion air as shown in the EXALT Vent Supplement, included in the installation envelope. Refer to instructions for parts list and method of installation.

Once installation is completed, inspect the vent and combustion air system thoroughly to ensure systems are airtight, properly supported, and comply with the instructions given in the venting supplement and are within all requirements of applicable codes. Failure to comply with the venting and combustion air piping installation requirements will result in substantial property damage, serious injury, or death.

NOTICE

Contact Ideal for other venting options. Refer to the instructions included with these kits for method of installation.

6.2. Installing Condensate Drain Assembly into EXALT Solo Units

NOTICE

The condensate drain assembly is factory-installed in the EXALT Combi units.

1. Locate the condensate drain assembly and ensure the seals are installed as shown in Fig. 24 on page 38.

NOTICE

The installer may want to fill the condensate drain assembly with water prior to assembling on the unit.



Do not operate the boiler without the factory-supplied condensate drain assembly installed. Operation of the boiler without the condensate drain assembly installed can result in property damage, serious injury, or death.

2. Install the condensate drain assembly on the boiler condensate drain by pushing the condensate drain assembly up until it stops.

3. Tighten the condensate drain assembly retaining nut.



- Ensure installation of the condensate drain assembly included the seals. Failure to comply could result in the assembly dislocating from the boiler. Dislocation of the condensate drain assembly can result in property damage, serious injury, or death.
 - Ensure the condensate drain assembly contains the plastic ball. Do not install the condensate drain assembly if the ball is lost or missing, replace the entire assembly. Installing the condensate drain assembly without the plastic ball can result in substantial property damage, serious injury, or death.
4. Remove the compression nut and rubber seal from the condensate drain assembly drain outlet.
 5. Slide the compression nut and rubber seal over the 3/4" x 2' flexible tube provided.

NOTICE

The use of 3/4" PVC or CPVC pipe is also acceptable. If 3/4" pipe is used, deburr and chamfer pipe to allow mating onto the drain assembly.

6. Thread the rubber seal into the compression nut to ease installation of the tube to the condensate drain assembly.
7. Seat the tube onto the condensate drain assembly and tighten the compression nut. **Hand tight only!**

NOTICE

- The installer may opt to use 13/16" ID tubing in lieu of provided tube.
- The drain line materials must be an approved material by the authority having jurisdiction. In absence of such authority, PVC and CPVC piping must comply with ASTM D1785 or D2845. The cement and primer used on the piping must comply with ASME D2564 or F493. For installations in Canada, use ULC certified PVC or CPVC pipe, fittings and cement/primer.

CHAPTER 6 - INSTALLING VENT/COMBUSTION AIR & CONDENSATE DRAIN

8. Route the tube from the condensate drain assembly to a floor drain or condensate pump.

NOTICE

When selecting and installing a condensate pump, ensure the pump is approved for use with condensing appliances. The pump should be equipped with an overflow switch to prevent property damage from potential condensate spillage.

9. The EXALT will typically produce a condensate that is considered slightly acidic with a pH content below 4.0. Install a neutralizing filter if required by authority having jurisdiction.

WARNING

The condensate drain assembly must remain filled with water. Extended periods of non use or high temperature operation may allow the water to evaporate. Periodically check the water level in the condensate drain assembly and fill with water as necessary. Failure to keep the condensate drain assembly full of water can result in substantial property damage, serious injury, or death.

CAUTION

The drain assembly must remain unobstructed and allow unrestricted flow of condensate. The condensate should not be subject to conditions where freezing could occur. If the condensate is subjected to freezing or becomes obstructed, it can leak, resulting in potential water damage to the boiler and surrounding area.

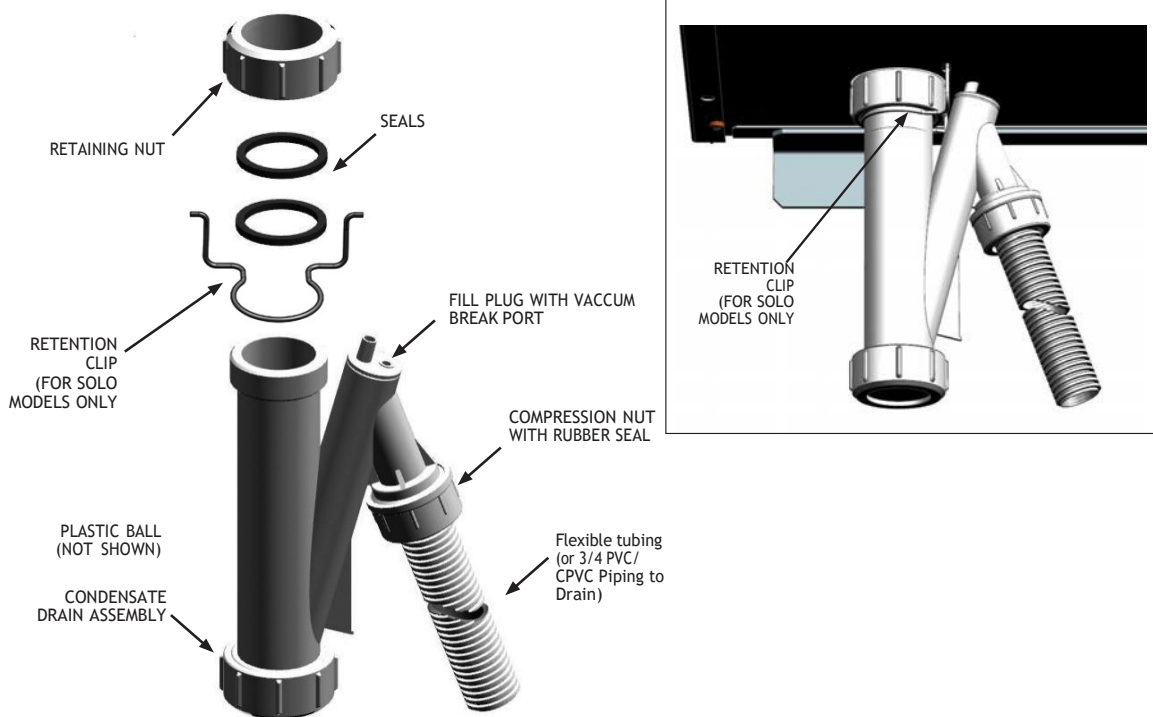


Fig. 24 - Condensate Drain Assembly

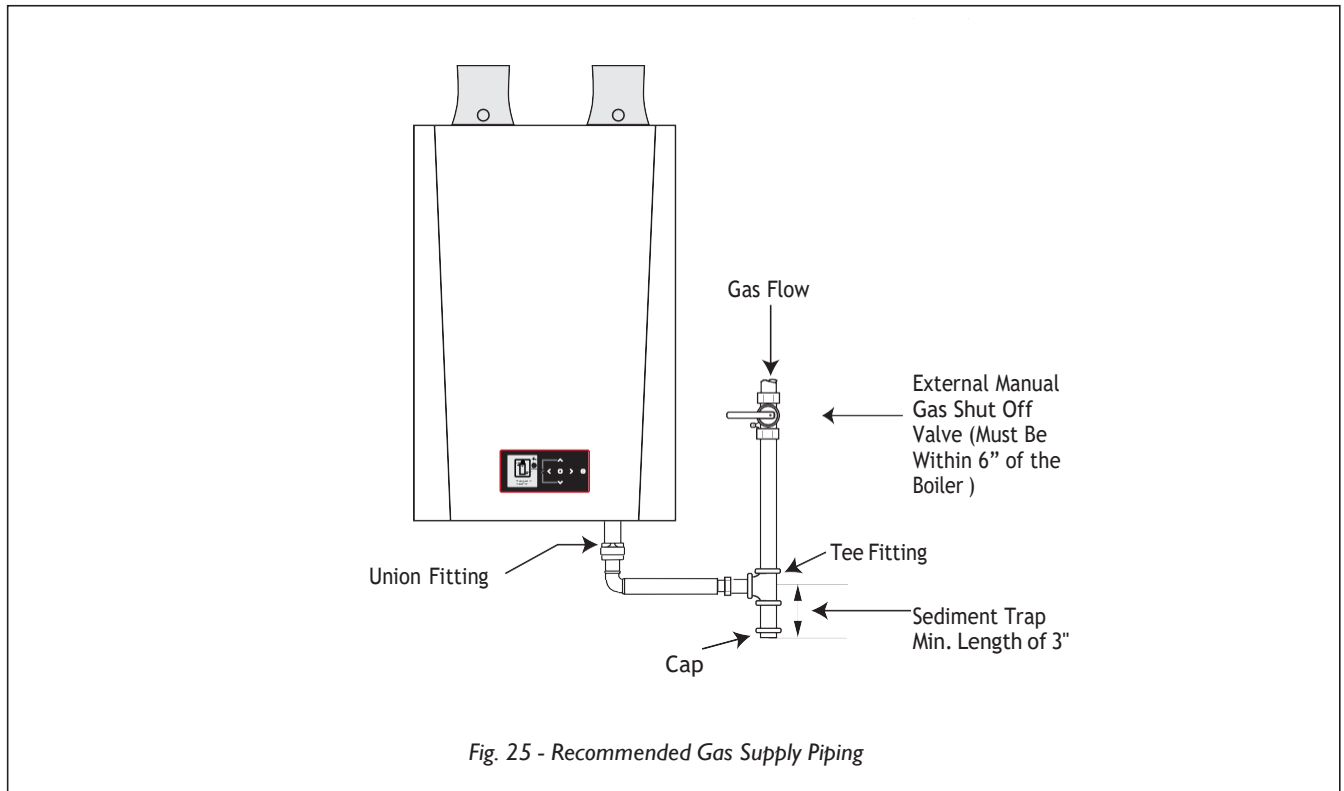


Fig. 25 - Recommended Gas Supply Piping

7.1. Gas Supply Piping Connection

NOTICE

The gas supply piping must be installed in accordance to all applicable local, state, national codes, and utility requirements.

1. Install a 3/4" NPT for EXALT pipe union at the gas nipple, for ease of service.
2. Install a manual shutoff valve in the gas supply piping as shown in Fig. 25 above. For installations in Canada, the installer must tag and identify the main shutoff valve.
3. Install a sediment trap (drip leg) on the gas supply line prior to connecting to the EXALT gas train as shown in Fig. 25 above.
4. Support the gas piping using hangers. Do not support the piping by the unit or its components.
5. Purge all air from the gas supply piping.
6. Before placing the EXALT into operation, check and test all connections for leaks.
 - Close the manual shutoff valve during any pressure test with less than 13" w.c.
 - Disconnect the EXALT and its gas valve from the gas supply piping during any pressure test greater than 13" w.c.

WARNING

Do not check for gas leaks with an open flame. Use a gas detection device or bubble test. Failure to check for gas leaks can cause substantial property damage, serious injury, or death.

7. Use pipe dope compatible with natural and propane gases. Apply sparingly only to the male threads of pipe joints so that pipe dope does not block gas flow.

WARNING

- Failure to apply pipe dope as detailed above can result in substantial property damage, serious injury, or death.
- Use a two-wrench method when tightening field piping onto the boiler piping connections. Use one wrench to prevent the boiler connections from turning and the second to tighten field piping. Failure to support the boiler piping connections could damage piping, causing a leak, resulting in substantial property damage, serious injury, or death.

CHAPTER 7 - GAS PIPING

7.2. Natural Gas

7.2.1 Pipe Sizing

Refer to *Table 2 below* for schedule 40 metallic pipe length and diameter requirements for natural gas, based on rated EXALT input (divide by 1,000 to obtain cubic feet per hour).

- Table 1 is based on Natural Gas with a specific gravity of 0.60 and a pressure drop through the gas piping of 0.30" w.c.
- For additional gas pipe sizing information, refer to National Fuel Gas Code (NFPA 54 / ANSI Z223.1) for installations in the U.S. or CAN/CSA B149.1 for installations in Canada.

7.2.2 Supply Pressure Requirements

1. Pressure required at the gas valve inlet supply pressure port:
 - Maximum 13" w.c. at flow or no flow conditions to the burner.
 - Minimum 5" w.c. during flow conditions to the burner. Must be verified during start up and with all other gas appliances operating within the building.

2. Install 100% lockup gas pressure regulator in the gas supply line if inlet pressure can exceed 13" w.c at any time. Adjust the lockup pressure regulator for 13" w.c maximum.



DO NOT adjust or attempt to measure gas valve outlet pressure. The gas valve is factory-set for the correct outlet pressure. This setting is suitable for natural gas and propane and requires no field adjustment. Attempts by the installer to adjust or measure the gas valve outlet pressure can result in damage to the valve, causing substantial property damage, serious injury, or death.



The EXALT is factory equipped with the required natural gas venturi. The natural gas venturi must never be modified or replaced with a different size venturi. Failure to use the required natural gas venturi can result in substantial property damage, serious injury, or death.

Table 1 - Natural Gas Venturis

| Model | Venturi Diameter | Top injector | Bottom Injector | Label Colour | Part No. |
|-----------|------------------|--------------|-----------------|--------------|----------|
| 110 Solo | 22mm | NG Ø3.6 mm | NG Ø3.4 mm | White | EXRKIT07 |
| 155 Solo | 24mm | NG Ø4 mm | NG Ø3.9 mm | White | EXRKIT09 |
| 199 Solo | 26mm | NG Ø4.2 mm | NG Ø5 mm | White | EXRKIT11 |
| 155 Combi | 24mm | NG Ø4 mm | NG Ø3.9 mm | White | EXRKIT09 |
| 199 Combi | 26mm | NG Ø4.2 mm | NG Ø5 mm | White | EXRKIT11 |

Table 2 - Gas Piping Sizing - Natural Gas

| Length of Pipe in Feet | Capacity of Schedule 40 Metallic Pipe in Cubic Feet of Natural Gas Per Hour (based on 0.60 specific gravity, 0.30" w.c. pressure drop) | | | | | |
|------------------------|--|------|------|-----|--------|--------|
| | SCH 40 | 1/2" | 3/4" | 1" | 1-1/4" | 1-1/2" |
| 10 | | 132 | 278 | 520 | 1050 | 1600 |
| 20 | | 92 | 190 | 350 | 730 | 1100 |
| 30 | | 73 | 152 | 285 | 590 | 890 |
| 40 | | 63 | 130 | 245 | 500 | 760 |
| 50 | | 56 | 115 | 215 | 440 | 670 |
| 75 | | 45 | 93 | 175 | 360 | 545 |
| 100 | | 38 | 79 | 150 | 305 | 460 |
| 150 | | 31 | 64 | 120 | 250 | 380 |

7.3. Propane Gas

7.3.1 Pipe Sizing



- The unit was shipped with a propane conversion kit which is located on the top of the unit in the instructions packet. This kit includes all the necessary parts and instruction to perform the conversion from natural to propane gas. If this conversion kit is missing, please contact Ideal Technical Support for missing kit before installing unit.
- Prior to start up, ensure the unit is set to fire propane. Check the rating label for the type of fuel. Check the venturi for propane conversion label. If there is a conflict or doubt on the burner configuration, remove the venturi and check for proper propane gas orifice sizing on venturi labeling. Refer to Section 7.3.2 for orifice sizes. See Fig. 26 and 27 on page 42 and Fig. 28 on page 43 for venturi location. Refer to Propane Conversion Instructions for proper removal and replacement of the venturi.
- Failure to ensure proper burner setup can result in substantial property damage, serious injury, or death.
- Operating a natural gas EXALT boiler on propane will create excessive and dangerous carbon monoxide levels which could cause serious injury, or death.

Contact the local propane gas supplier for recommended sizing of piping, tanks and 100% lockup gas regulator.

7.3.2 Supply Pressure Requirements

1. Adjust the propane supply regulator provided by the gas supplier for 13" w.c. maximum pressure
2. Pressure required at the gas valve inlet supply pressure port:
 - Maximum 13" w.c. at flow or no flow conditions to the burner
 - Minimum 8" w.c. during flow conditions to the burner. Must be verified during start up and with all other gas appliances operating within the building.



DO NOT adjust or attempt to measure gas valve outlet pressure. The gas valve is factory-set for the correct outlet pressure. This setting is suitable for natural gas and propane and requires no field adjustment. Attempts by the installer to adjust or measure the gas valve outlet pressure can result in damage to the valve, causing substantial property damage, serious injury, or death.

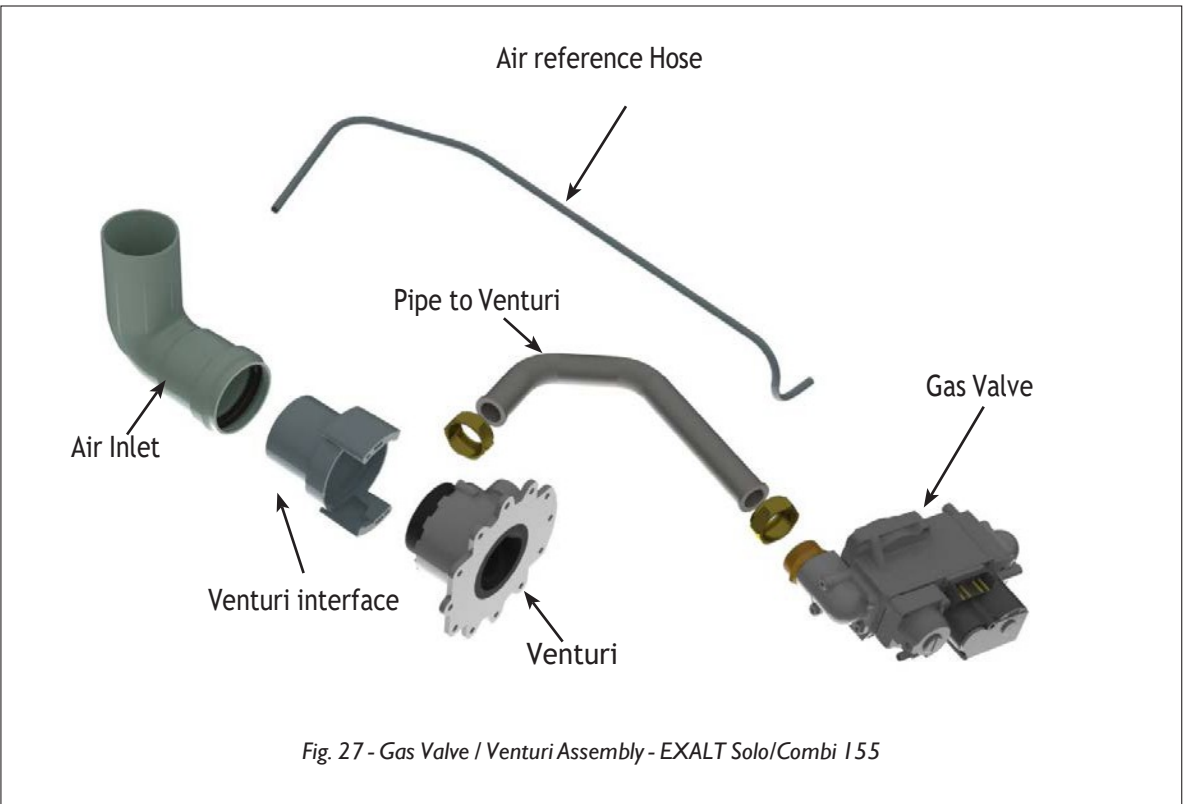
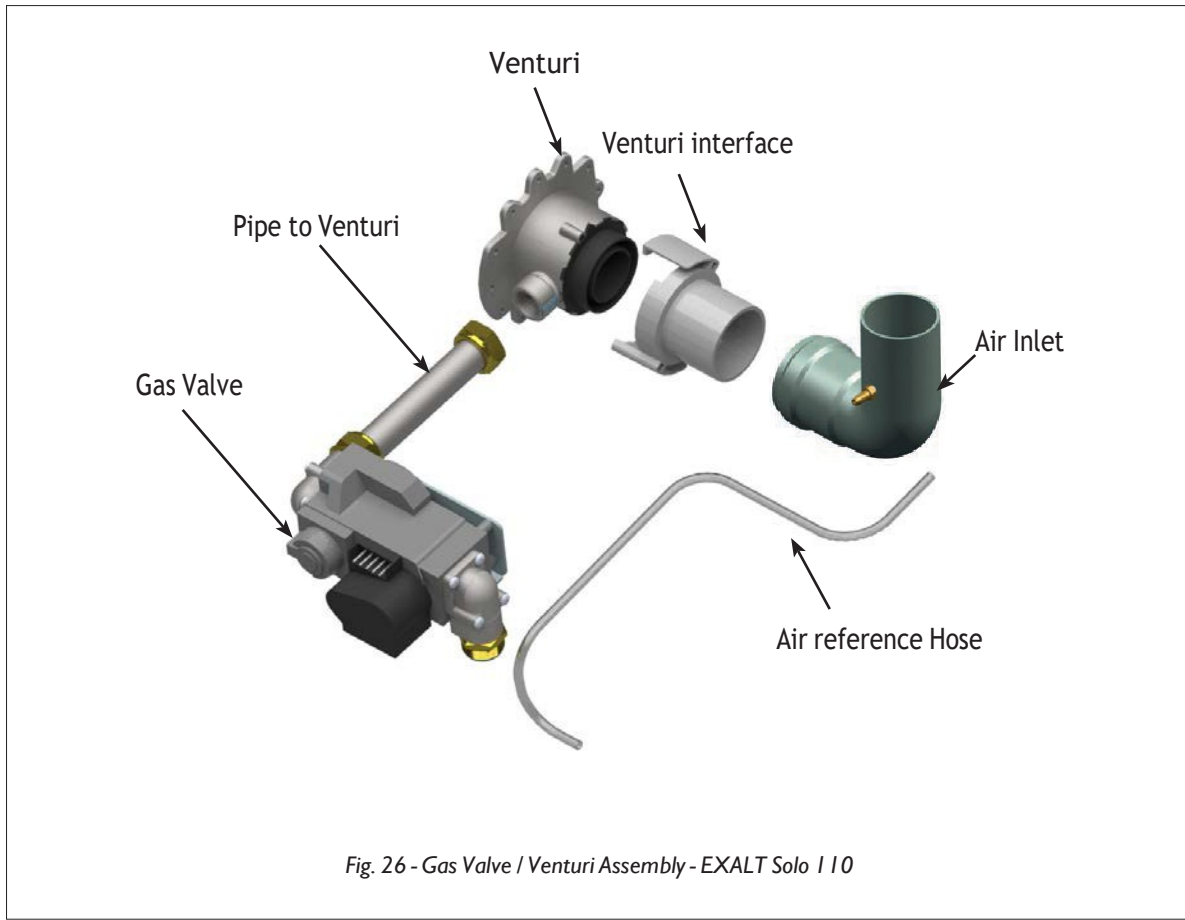


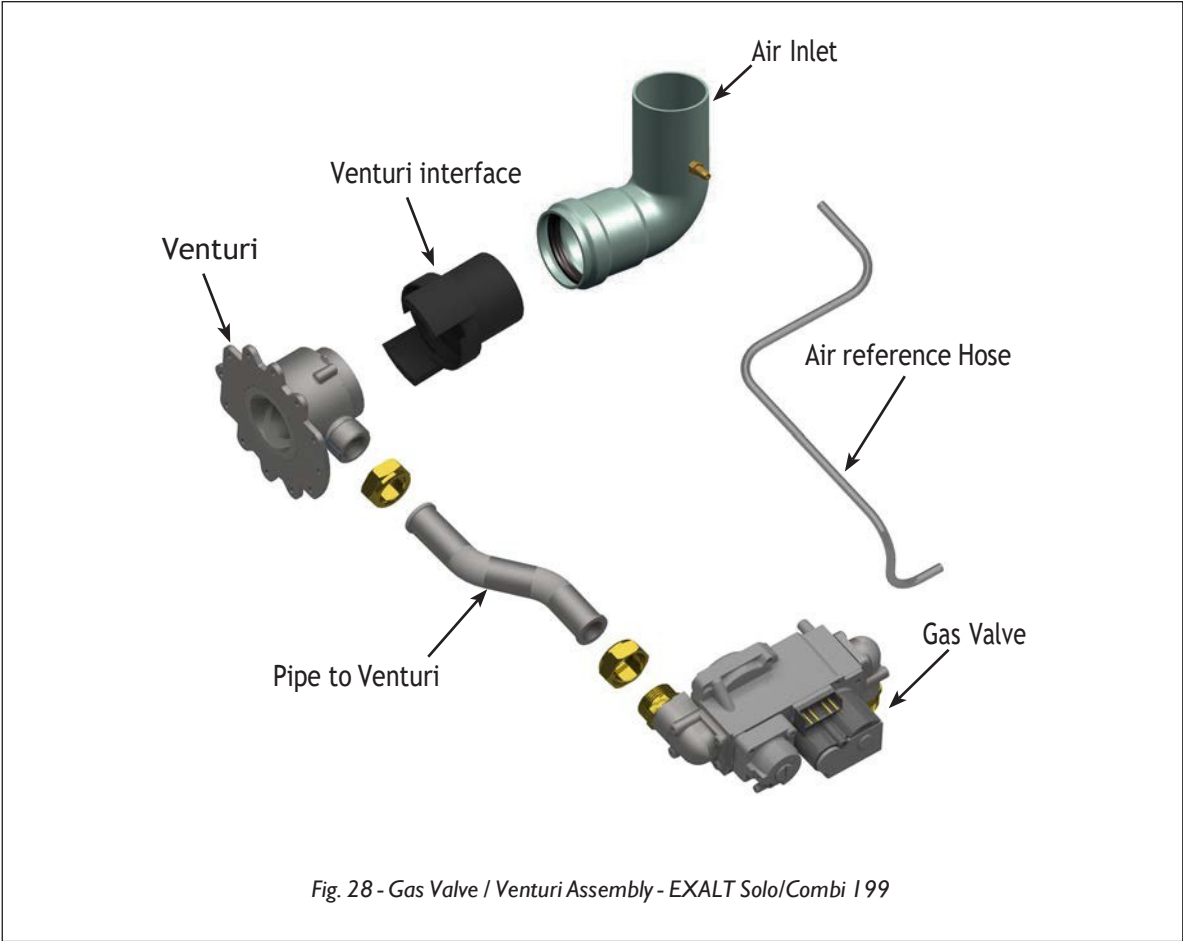
The propane gas venturi assembly must never be modified or replaced with a different assembly. See the below chart for the full specification. Failure to use the required propane gas venturi assembly can result in substantial property damage, serious injury or death.

Table 3 - Propane Conversion Venturis

| Model | Venturi Diameter | Top injector | Bottom Injector | Label Colour | Part No. |
|-----------|------------------|--------------|-----------------|--------------|----------|
| 110 Solo | 22mm | LP Ø2.9 mm | LP Ø2.65 mm | Black | EXRKIT08 |
| 155 Solo | 24mm | LP Ø3.15 mm | LP Ø2.95 mm | Black | EXRKIT10 |
| 199 Solo | 26mm | LP Ø3.45 mm | LP Ø3.25 mm | Black | EXRKIT12 |
| 155 Combi | 24mm | LP Ø3.15 mm | LP Ø2.95 mm | Black | EXRKIT10 |
| 199 Combi | 26mm | LP Ø3.45 mm | LP Ø3.25 mm | Black | EXRKIT12 |

Note: Propane conversion venturis have an additional yellow label to identify use for propane





INTENTIONALLY LEFT BLANK

CHAPTER 8 - WIRING

8.1. Internal Wiring



ELECTRICAL SHOCK HAZARD. For your safety, disconnect electrical power supply to the unit before servicing or making any electrical connections to avoid possible electric shock hazard. Failure to do so can cause serious injury, or death.



Prior to servicing, label all wires before disconnecting. Wiring errors can cause improper and dangerous operation. Verify proper wiring and operation after servicing.

8.1.1 General Requirements

- Wiring must be N.E.C Class 1.
- If original wiring as supplied with the unit must be replaced, use only Type T 194°F [90°C] wire or equivalent as a minimum.
- The EXALT Solo must be electrically grounded as required by National Electrical Code (ANSI/NFPA 70) for installations in the U.S., or the Canadian Electrical Code Part 1(CSA C22.1) for installations in Canada.

8.1.2 Fuse Locations

- The CTRLMax control module contains 3 internal replaceable 5A fuses as shown in *Fig. 29 below*.
- The top two fuses protect the EXALT as well as the CH, DHW, and Flame outputs.
- A 2.5A fuse is also located on the terminal strip, to protect the output. Refer to *Fig. 32 on page 48*.

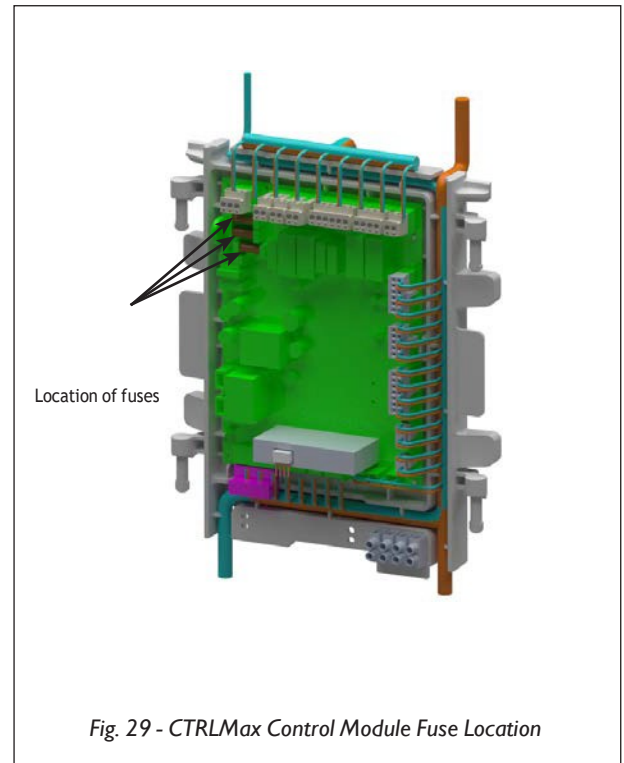


Fig. 29 - CTRLMax Control Module Fuse Location

| Key | |
|-----|------------------|
| W | = White |
| BK | = Black |
| R | = Red |
| G | = Green |
| O | = Orange |
| Y | = Yellow |
| BL | = Blue |
| G/Y | = Green / Yellow |
| GY | = Grey |
| V | = Violet |

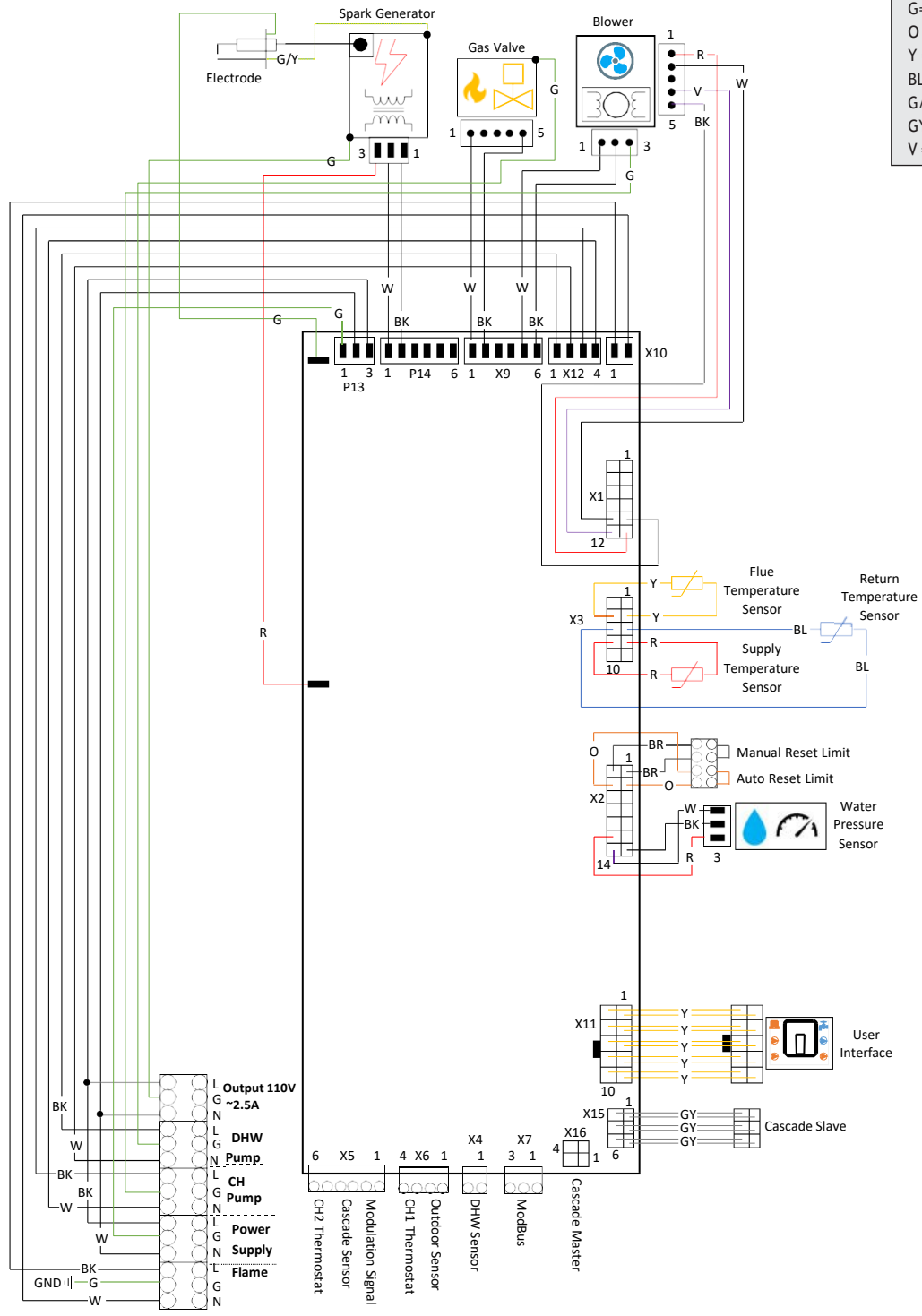


Fig. 30 - EXALT Solo Boiler Factory Wiring

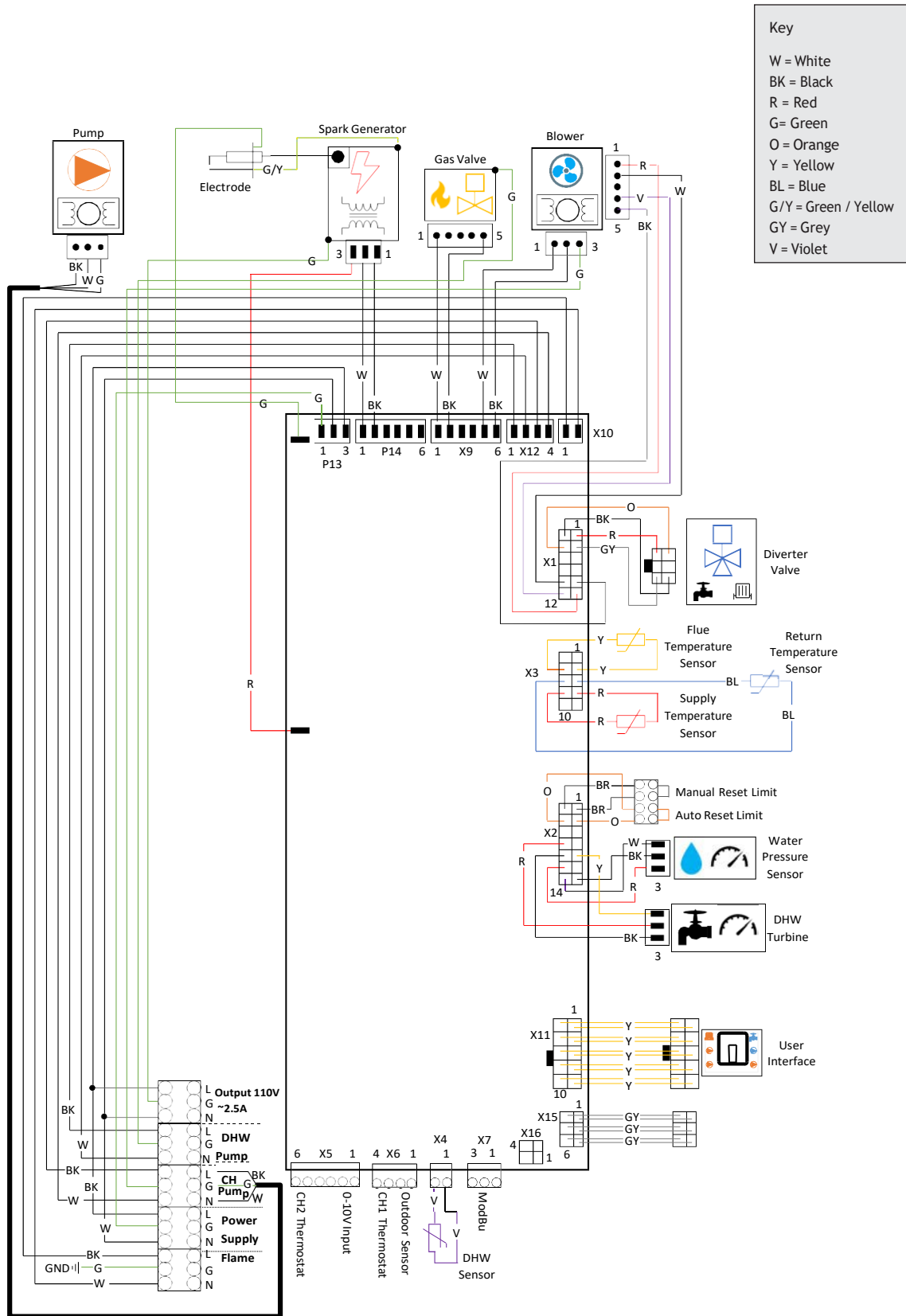


Fig. 31 - EXALT Combi Boiler Factory Wiring

CHAPTER 8 - WIRING

8.2. External Wiring

8.2.1 General Requirements

All field wiring must comply with:

- National Electrical Code (ANSI/NFPA 70) for installations in the U.S., and any other national, state, provincial or local codes or requirements.
- Canadian Electrical Code Part 1 (CSA C22.1) for installations in Canada.



ELECTRICAL SHOCK HAZARD. For your safety, disconnect electrical power supply to the unit before servicing or making any electrical connections to avoid possible electric shock hazard. Failure to do so can cause serious injury, or death.

NOTICE

The low voltage terminals are located at the bottom of the CTRLMax control module. The line voltage terminals are located in the lower left corner as shown in Fig. 32 below.

8.2.2 Line Voltage Connections

1. Connect a dedicated 120 VAC/15A service to the line voltage terminals located internally in the lower left corner, as shown in Fig. 32 below.
2. Route the incoming 120 VAC power wires through one of the provided openings in the bottom jacket panel.
3. The unit is provided with a service switch located on the front panel, check local code requirements for compliance.

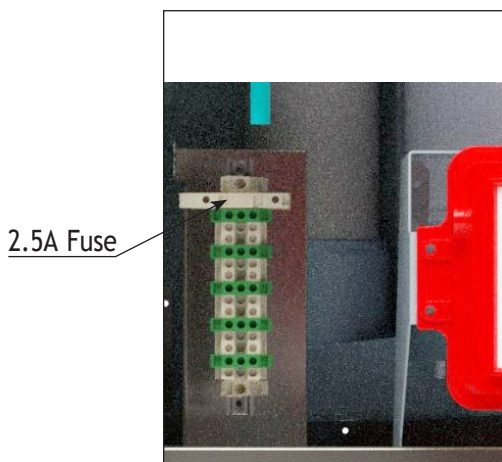


Fig. 32 - Terminal Strip Location

NOTICE

If local electrical codes require an additional service switch, the installer must provide and install a fused disconnect or minimum 15 amp service switch.

8.3. External Wiring - EXALT Solo Units

8.3.1 Circulator Wiring

1. The circulator connections used will depend on the systems piping layout. See Fig. 13 on page 22 through Fig. 22 on page 34 for common system piping applications and associated circulator wiring. Consult the Fig. 10 on page 20 and the EXALT CTRLMax Control Supplement for additional options.

NOTICE

The circulator output is protected by fuses on the CTRLMax control module. The total combined amp draw of the CH, DHW, and Flame outputs must not exceed 4 amps at any time for the EXALT 110 and 155 units, or 3 amps at any time for the EXALT 199 units. Use an isolation relay to lower the total combined amp draw if exceeding this limits.

2. Connect the CH circulator wiring to the line voltage terminals located internally in the lower left corner, as shown in Fig. 32 on the left. This circulator is typically used to supply heat to the central/space heating loop.
3. Connect the DHW circulator wiring to the line voltage terminals located internally in the lower left corner, as shown in Fig. 32 on the left. This circulator is typically used to supply heat to an indirect hot water heater.
4. Connect the system pump wiring to the line voltage terminals located internally in the lower left corner, as shown in Fig. 32 on the left.

8.3.2 Low Voltage Connections

Line and Low Voltage wiring should be separated to prevent possible electrical noise on the low voltage circuits. Line and Low Voltage wiring should use separate electrical knockouts on the EXALT cabinet and should remain separated inside the EXALT.

NOTICE

CH and DHW call connections to the EXALT require a dry contact with no external voltage present. Ensure no external voltage is present on each set of wires before connecting to the EXALT. If external voltage is present, the use of an isolation relay is required to prevent damage to the CTRLMax controller.

8.3.3 Thermostat Wiring

The CTRLMax control has two thermostat call inputs for multiple zone / temperature systems. This allows each call to have its own outdoor reset curve and maximizes the efficiency of the system.

NOTICE

Simultaneous CH1 and CH2 calls will result in the EXALT operating at the highest target temperature.

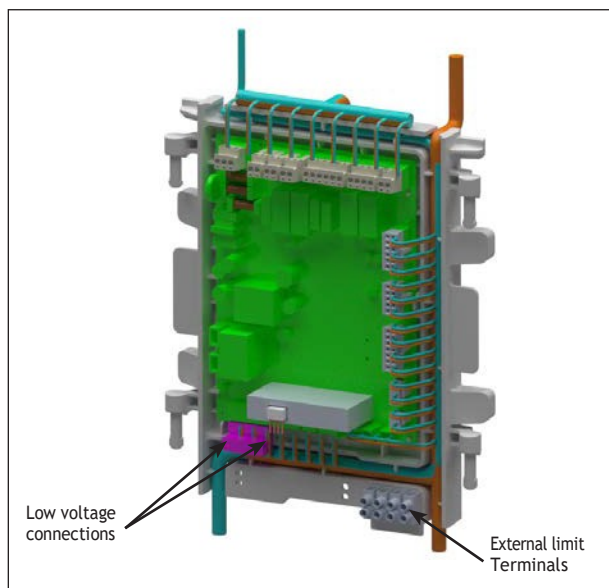


Fig. 33 - Low Voltage Connections

8.3.4 Outdoor Sensor Wiring

The Outdoor Reset function and Warm Weather Shutdown (WWSD) features require the connection of the included outdoor temperature sensor. See *Chapter 12 on page 75* for outdoor sensor installation and setup.

8.3.5 Domestic Hot Water Wiring

The Domestic Hot Water terminals can accept either a call from an aquastat (thermostat) or temperature sensor. Use of the included indirect water heater sensor is recommended.

1. Connect the DHW aquastat or temperature sensor wires to low voltage terminals X4-1&2 located at the bottom of the CTRLMax control module as shown in *Fig. 33 on page 49*.

8.3.6 Additional Boiler Limits

Additional boiler limits (High Temperature Limit, LWCO, etc.) can be wired into either the Manual Reset Limit or Auto Reset Limit terminals of the EXALT. These limit connections will provide a “hard” lockout requiring a manual reset of the EXALT or a “soft” lockout in which the EXALT will automatically reset when the limit resets.

A Manual Reset External Limit Open (E87) lockout will occur anytime the manual reset terminals are open. An Auto Reset External Limit Open (76) lockout will not occur until just before ignition when the auto reset terminals are open. The Auto Reset terminals should be used for any type of burner interlock such as a combustion air louver or water flow proving switch.

NOTICE

- *The Manual Reset Limit and Auto Reset Limit terminals are located on the lower right corner of the CTRLMax control module housing.*
- *Manual Reset Limit and Auto Reset Limit connections to the EXALT require a dry contact with no external voltage present. Ensure no external voltage is present on each set of wires before connecting to the EXALT. If external voltage is present, the use of an isolation relay is required to prevent damage to the CTRLMax controller.*

1. Remove the factory-installed brown jumper wire at the Manual Reset Limit terminals that will accept the additional boiler limit.
2. Remove the factory-installed orange jumper wire at the Auto Reset Limit terminals that will accept the additional boiler limit.
3. Connect the external limit wires to the Manual Reset Limit or Auto Reset Limit low voltage terminals located on the lower right corner of the CTRLMax control module housing as shown in *Fig. 33 on page 49*.

8.3.7 External Modulation Control

The EXALT firing rate can be controlled by an external modulating boiler controller. See *Chapter 13 on page 77* for external modulation signal wiring and setup.

8.3.8 System Sensor Wiring

An optional system temperature sensor can be placed on the central heating loop to control the temperature in the central heating loop instead of the boiler loop. When connected, the EXALT will automatically modulate to maintain the target temperature in the central heating loop. The boiler supply temperature sensor will continue to be used as a high temperature limit.

CAUTION

Locate the system temperature sensor where it can accurately measure the supply temperature to the heating system. Inaccurate system temperature readings could lead to overheating or under heating resulting in property damage.

1. Connect the system temperature sensor wires to low voltage terminals X5-3&4 located at the bottom of the CTRLMax control module as shown in *Fig. 33 on page 49*.

8.3.9 Cascade Wiring - Optional

The CTRLMax control includes the ability to operate up to six Solo boilers together as one without the need for external controllers. Consult the *Fig. 10 on page 20* for more information.

8.3.10 Modbus

The CTRLMax control includes the ability to communicate with building management systems (BMS) through a Modbus interface. Consult the EXALT CTRLMax Control Supplement for more information.

Modbus communication will only occur if the external device is properly wired to the EXALT as follows:

X7-1 = RS-485 -

X7-2 = RS-485 Ground

X7-3 = RS-485 +

CHAPTER 9 - CTRLMAX OPERATION

The CTRLMax Boiler Management System is designed to be flexible yet easy to use. CTRLMax monitors and controls the EXALT to provide heat as efficiently as possible. CTRLMax includes many advanced features:

- Two central/space heating (CH) call inputs with separate outdoor reset curves.
- Domestic Hot Water (DHW) call input with optional priority in EXALT Solo units and DHW priority in EXALT Combi units.
- EZ Setup feature allows the installer to quickly customize CTRLMax for each installation.
- Optional cascade function (Solo models only), using an optional wiring kit, allows up to six EXALT boilers to operate together in a single heating system. Refer to *Fig. 10 on page 20* for more information.
- Modbus interface for integrating with building management systems.

All CTRLMax features are easy to use through a graphical display where information is presented either graphically or in plain English, so code charts are not required. *Fig. 34 below* shows an CTRLMax display example of the EXALT fired for a domestic hot water demand.

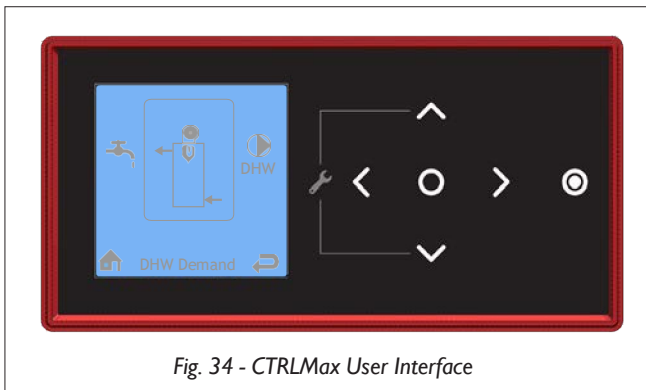







Fig. 34 - CTRLMax User Interface



9.1. CTRLMax Navigation


The CTRLMax navigation is performed through soft keys that react to the touch and emit a short beep when tapped.


NOTICE

Exert a light and short touch (tap) on the soft keys to activate their function. Holding the touch too long will not generate any reaction from the CTRLMax, unless it is a combination of soft keys meant to be touched simultaneously for a determined duration, as instructed in this manual. The arrow keys can also be held longer to increase or decrease values faster.


Navigation is performed through four arrow soft keys , , ,  with a center soft key  (OK /Reset functions) for making selections and entering information.

The installing contractor is provided with full access to all available features after simultaneously touching the  and  soft keys for 3 seconds and entering a code. Reference the EXALT CTRLMax Control Supplement for Installer level functions



The Main Menu can be entered from the Home Screen by touching the center soft key .

To shut down the unit, touch the  soft key.


DANGER



When touching the  soft key, the unit shuts down but is not isolated from power supply. Therefore, live current is still present in the unit. For your safety, disconnect electrical power supply to the unit before servicing or making any electrical connections to avoid possible electric shock hazard. Failure to do so can cause serious injury, or death.

NOTICE

- When shutting down using the  soft key, the appliance will not react to any heat demand. However, the basic appliance protection functions (such as frost protection, etc.) remain active.
- In addition, the arrow soft keys are no longer illuminated, and the  soft key lighting is dimmed.

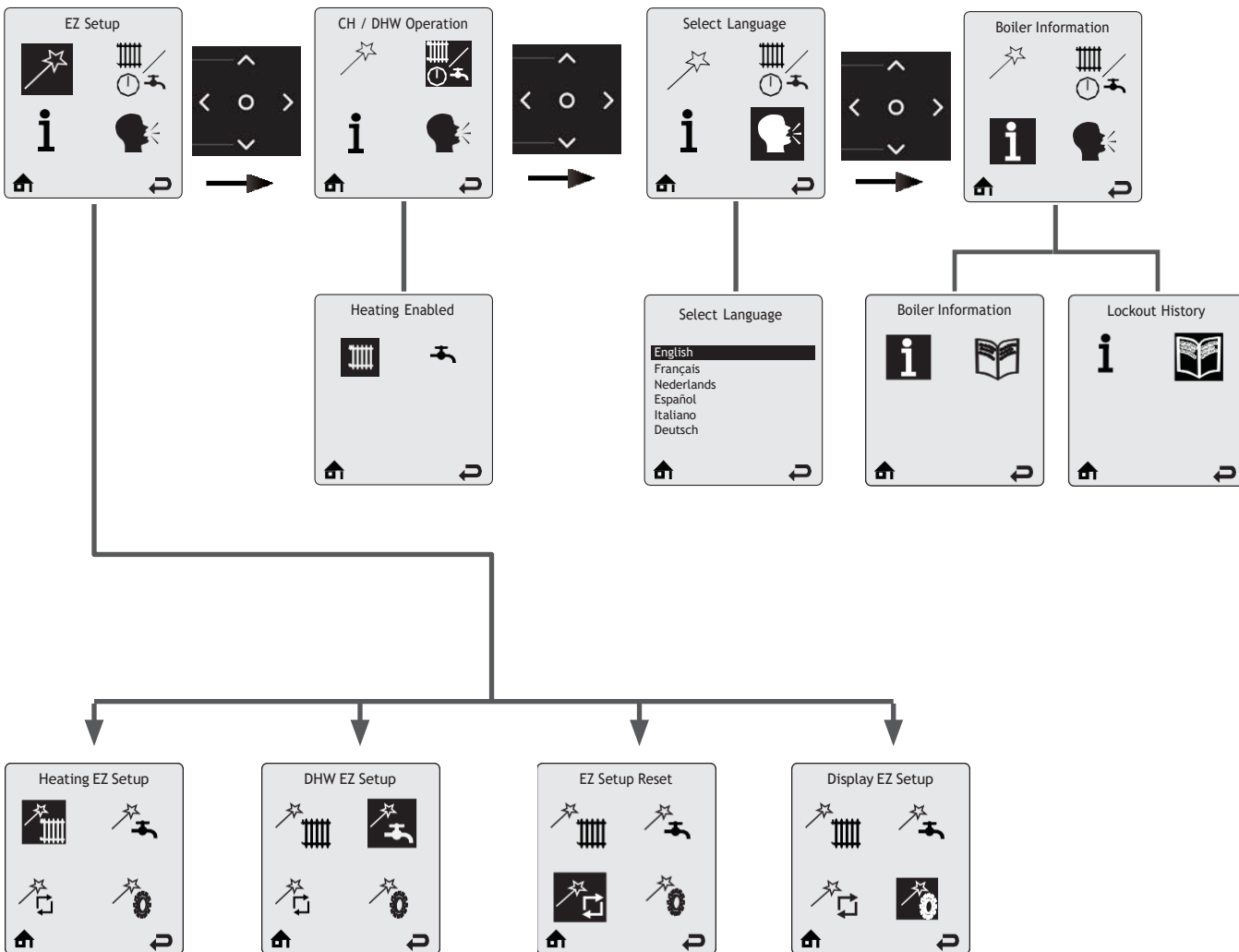
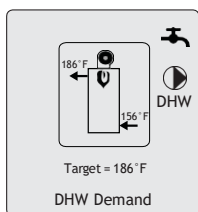
CHAPTER 9 - CTRLMAX OPERATION

The menu system utilizes icons to represent each selection. The current selected menu is displayed as a reversed image with a text description shown at the top of the display. Menus can be entered by selecting the the desired icon (highlights) using the arrow soft keys and touching the  soft key.

The Home Screen icon  at the bottom of each screen returns to the Home Screen when selected. The Previous Screen icon  at the bottom of each screen returns to the previous screen when selected.

9.2. CTRLMax Menu Structure



Home Screen



CHAPTER 9 - CTRLMAX OPERATION










9.3. Home Screen

The Home Screen presents status information in a very user friendly way so that the current state of the boiler can be quickly accessed.

- **Screen backlight** - it will illuminate when any soft key is touched, and remain illuminated for five minutes.
- **Screen brightness** - it can be adjusted at the Home screen by touching and holding simultaneously the  and  keys for 2 seconds.

Touch the  and  soft key to increase or decrease the contrast. Touch  to end the process.

Main Icons of CTRLMax display



-  Central Heating - indicates information related to central/space heating.
-  DHW - indicates information related to Domestic Hot Water.
-  Home - to go back to the home screen.
-  Back - to go back to the previous screen.
-  Warm Weather Shutdown - displays on the home screen when the outdoor temperature reaches the Warm Weather Shutdown temperature.
-  Reset - to reset the system to the factory settings.
-  Settings - to access controller settings (language, units, etc.).
-  Easy Setup - to quickly adjust the most common settings.
-  CH/DHW operation - to enable/disable the central/space heating or Domestic Hot Water functions
- **i** Information - to get information on the boiler.

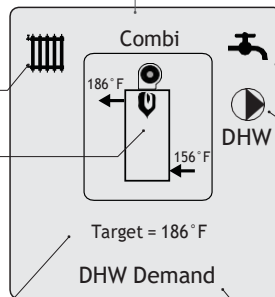
The model is indicated at the top of the screen.

The EXALT is represented in the center of the Home Screen. Basic operating information such as supply and return temperatures are displayed as well as current burner status.

Radiator icon: indicates that a central heating call has been received. A small number 1 or 2 indicates which CH calls are active

A **flame symbol** is displayed when the unit is fired. The flame size changes to indicate the current firing rate.

Basic information: The user can toggle through items using the  and  soft keys to view Target, Supply, Return, Domestic, Outdoor, System and Mix Zone temperatures, DHW flow.



Faucet icon: indicates that a DHW call has been received.

Circulator icons: indicate which circulators are currently powered.

Status line: displays the current operating state of the boiler. See Section 9.4 on page 54.

CHAPTER 9 - CTRLMAX OPERATION

9.4. Status Line Messages

Standby - Indicates that the EXALT is ready to respond when a demand is received.

CH Demand - A central heating call has been received.

DHW Demand - A domestic hot water call has been received.

CH/DHW Demand - Central heating and domestic hot water calls are being received simultaneously. Both calls are being satisfied simultaneously because domestic hot water priority has been disabled.

DHW Priority - Central heating and domestic hot water calls are being received simultaneously. Domestic hot water call is being satisfied first because it has priority over central heating calls.

Priority Timeout - Central heating and domestic hot water calls are being received simultaneously. The domestic hot water priority time limit has been exceeded. Priority will now switch back and forth between central heating and domestic hot water calls until one call is satisfied.

External Demand - An external modulation call has been received.

Slave Operation - The EXALT is a slave in a cascade system.

Manual Operation - The burner or circulators have manually been enabled in the Installer Menu.

CH Burner Delay - The burner will not fire until the call blocking time has elapsed.

DHW Burner Delay - The burner will not fire until the call blocking time has elapsed.

CH Setpoint Reached - The burner is not fired because the supply/system water temperature exceeds the setpoint. The central heating circulator(s) continue(s) to operate and the burner will fire again once the supply/system water temperature drops below the setpoint.

DHW Setpoint Reached - The burner is not fired because the supply/system water temperature exceeds the setpoint. The domestic circulator(s) continue(s) to operate and the burner will fire again once the supply/system water temperature drops below the setpoint.

CH Post Pump - The central heating circulator(s) is/are running to remove heat from the EXALT at the completion of a call.

DHW Post Pump - The domestic hot water circulator(s) is/are running to remove heat from the EXALT at the completion of a call.

Freeze Protection - The burner is fired because the freeze protection feature has been activated. Freeze protection will end once the supply/system water temperature is raised to 60°F [16°C].


Boiler Protection - The burner firing rate is being reduced because of an excessive difference between the boiler supply and return temperatures. The firing rate will begin increasing once the temperature difference is less than 45°F [25°C].

Low Water Pressure - The system pressure has dropped to 10.1 psi. The EXALT will still respond to calls until the pressure drops below 7.2 psi. Increase system pressure to 14.5 psi to clear Low Water Pressure warning

Lockout Description - The lockout which currently has the EXALT shut down is displayed


CHAPTER 9 - CTRLMAX OPERATION

9.5. Main Menu

The Main Menu can be entered from the Home Screen by touching the  soft key.

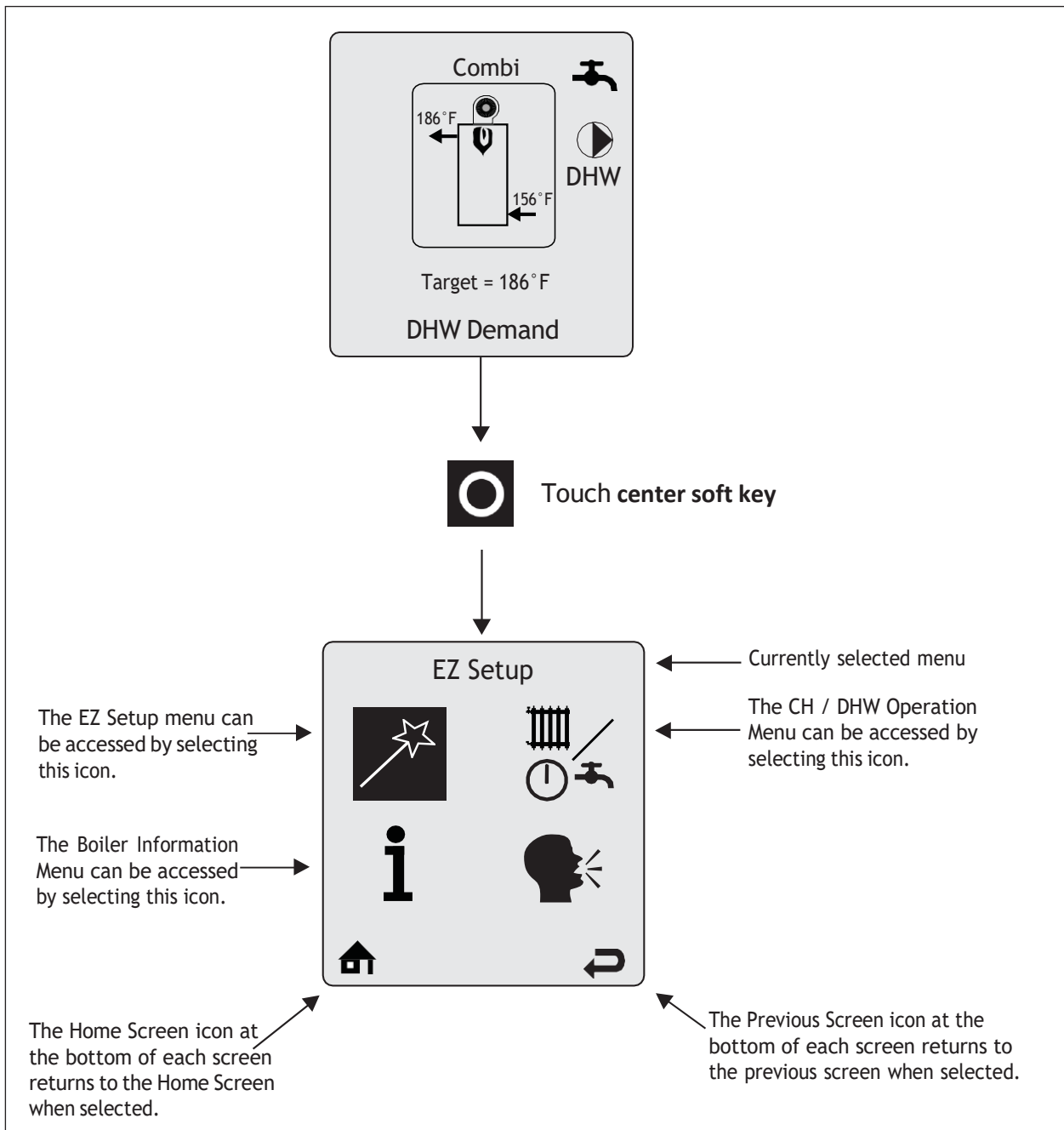
The menu system utilizes icons to represent each selection.

The currently selected menu is displayed as an inverted image with a text description shown at the top of the display.

Menus can be entered by scrolling through the icons using the arrow soft keys, highlighting the desired icon and touching the  soft key.

9.6. EZ Setup

The EZ Setup menu provides a simple way to quickly customize CTRLMax for each installation. EZ Setup prompts the user to make selections which allows the EXALT to be setup very quickly without searching through long lists of settings and manually making adjustments.

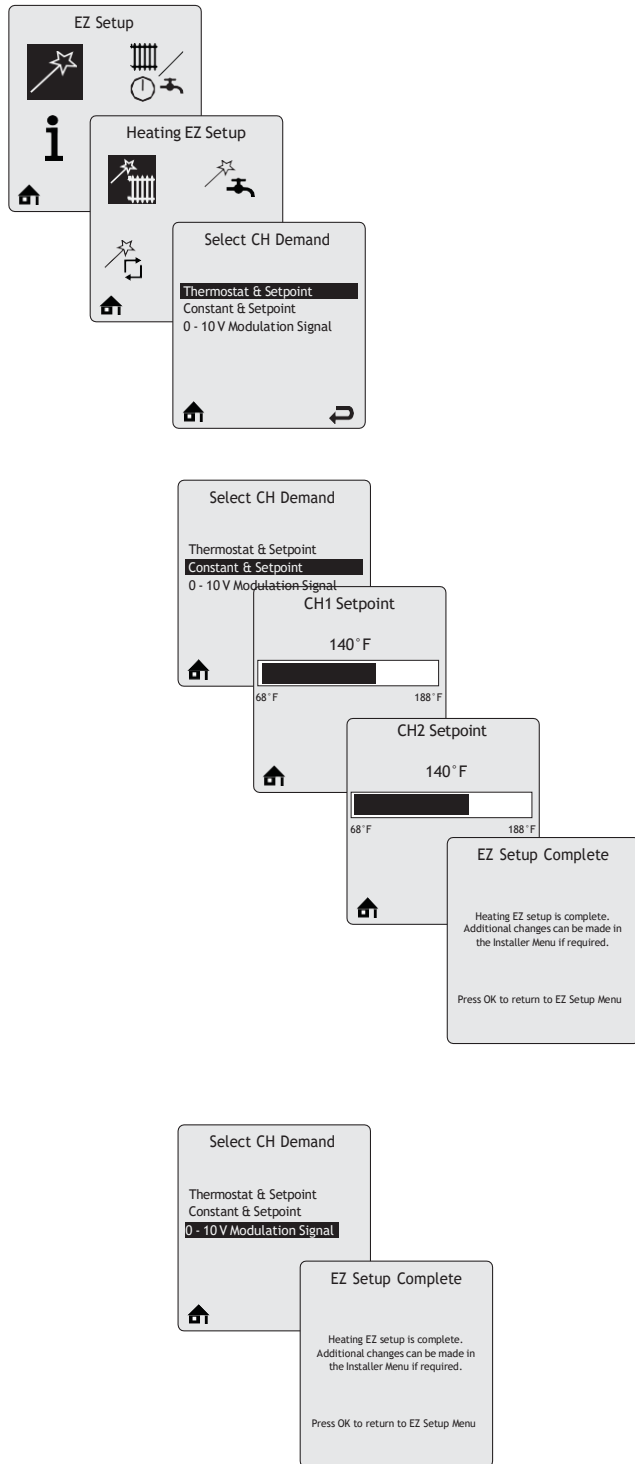


CHAPTER 9 - CTRLMAX OPERATION

9.7. Heating EZ Setup

Heating EZ Setup allows the installer to quickly customize the central heating settings for the application.

9.7.1 Select CH Demand (No outdoor sensor connected)






Select CH Demand prompts the installer to select how a CH Demand is generated.




Thermostat & Setpoint - A central heating call from a thermostat or zone panel will enable the EXALT and the setpoint will be fixed for central heating calls. After Thermostat & Setpoint is selected, the **CH1 Setpoint** screen appears. (see below).

Constant & Setpoint - The EXALT will maintain setpoint without an external CH call from a thermostat or zone panel. The setpoint will be fixed for CH calls. After Constant & Setpoint is selected, the CH1 Setpoint screen appears.

CH1 Setpoint prompts to enter the fixed setpoint for a CH1 heating call when a Setpoint option is chosen in Select CH Demand.

Touch the  or  soft keys to adjust the temperature setpoint then touch  to store the setting. The **CH2 Setpoint** screen then appears.

CH2 Setpoint prompts to enter the fixed setpoint for a CH2 heating call when a Setpoint option is chosen in Select CH Demand.

Touch the  or  soft keys to adjust the temperature setpoint then touch  to store the setting and complete the Heating EZ Setup.

CH1 Default: 140°F [60°C]

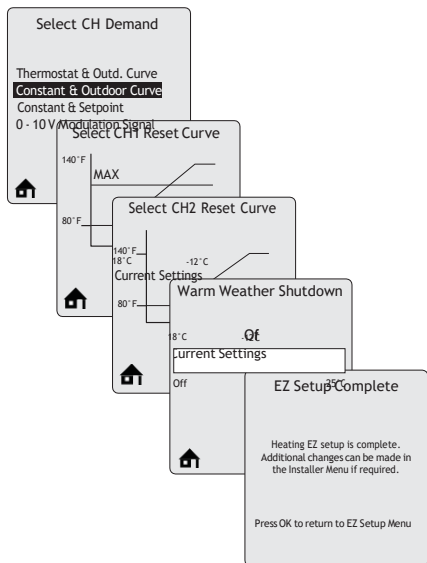
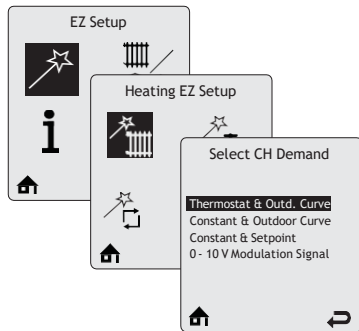
CH2 Default: 140°F [60°C]

0 - 10V Modulation Signal - This option allows the EXALT firing rate to be controlled by an external control system.

Refer to *Chapter 13 on page 77* for more information.

CHAPTER 9 - CTRLMAX OPERATION

9.7.2 Select CH Demand (Outdoor sensor connected)



Select CH Demand prompts the installer to select how a CH Demand is generated.

Thermostat & Outd. Curve – A central heating call from a thermostat or zone panel will enable the EXALT and the setpoint will vary with the outdoor temperature for central heating calls. After Thermostat & Outd. Curve is selected, the **Select CH1 Reset Curve** screen appears (see below).

Constant & Outdoor Curve - The EXALT will maintain setpoint without an external CH call from a thermostat or zone panel. The setpoint will vary with the outdoor temperature for central heating calls. After Constant & Outdoor Curve is selected, the **Select CH1 Reset Curve** screen appears

Select CH1 Reset Curve prompts to select an outdoor reset curve for a CH1 heating call when an Outdoor Curve option is chosen in Select CH Demand. Outdoor reset curve presets are available to cover most applications. The outdoor reset curve can also be adjusted to any desired settings in the Installer Menu.

Touch the or soft keys to select the outdoor reset curve appropriate for the type of heating system, then touch to store the setting. The **Select CH2 Reset Curve** screen then appears.

Default: Radiators 2

Select CH2 Reset Curve prompts to select an outdoor reset curve for a CH2 heating call when an Outdoor Curve option is chosen in Select CH Demand. Outdoor reset curve presets are available to cover most applications. The outdoor reset curve can also be adjusted to any desired settings in the Installer Menu.

Table 4 - Outdoor Reset Preset Selections

| Preset | Minimum Setpoint | Maximum Setpoint |
|-----------------------|------------------|------------------|
| Floor Heat Low Temp. | 76°F [24°C] | 96°F [35°C] |
| Floor Heat High Temp. | 76°F [24°C] | 104°F [40°C] |
| Radiators 1 | 80°F [27°C] | 120°F [49°C] |
| Radiators 2 | 80°F [27°C] | 140°F [60°C] |
| Radiators 3 | 80°F [27°C] | 158°F [70°C] |
| Radiators 4 | 80°F [27°C] | 176°F [80°C] |
| Radiators 5 | 80°F [27°C] | 185°F [85°C] |
| Cast iron baseboard | 100°F [38°C] | 170°F [77°C] |
| Finned tube baseboard | 120°F [49°C] | 180°F [82°C] |
| Radiators 6 | 120°F [49°C] | 170°F [77°C] |
| Fancoil | 140°F [60°C] | 180°F [82°C] |

Touch the or soft keys to select the outdoor reset curve appropriate for the type of heating system, then touch to store the setting. The **Warm Weather Shutdown** screen then appears.

Default: Radiators 2

Warm Weather Shutdown prompts to enter an optional outdoor temperature at which to disable the central heating function and any circulator placed into constant circulation with the Pump Permanent Circulation setting. The EXALT will continue to respond to a domestic hot water call or a 0-10V Modulation Signal when the outdoor temperature exceeds the Warm Weather Shutdown Temperature setting.

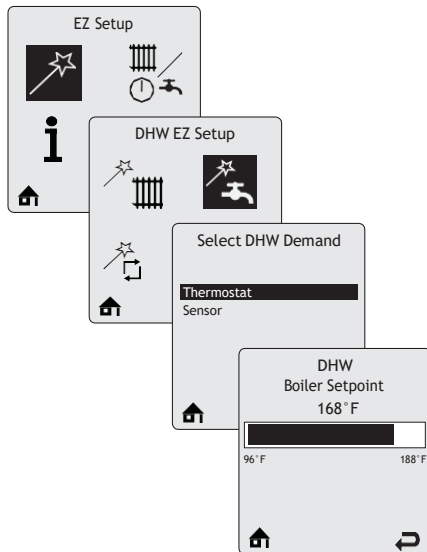
Touch the keys to adjust the Warm Weather Shutdown Temperature then touch the soft key to store the setting and complete Heating EZ Setup.

The Warm Weather Shutdown icon is displayed on the home screen when the outdoor temperature reaches the Warm Weather Shutdown temperature.

Default: OFF.

9.8. Domestic Hot Water EZ Setup - EXALT Solo Units

Domestic Hot Water EZ Setup allows the installer to quickly customize the Domestic Hot Water settings for the application






Select DHW Demand prompts the installer to select how a DHW Demand is generated.

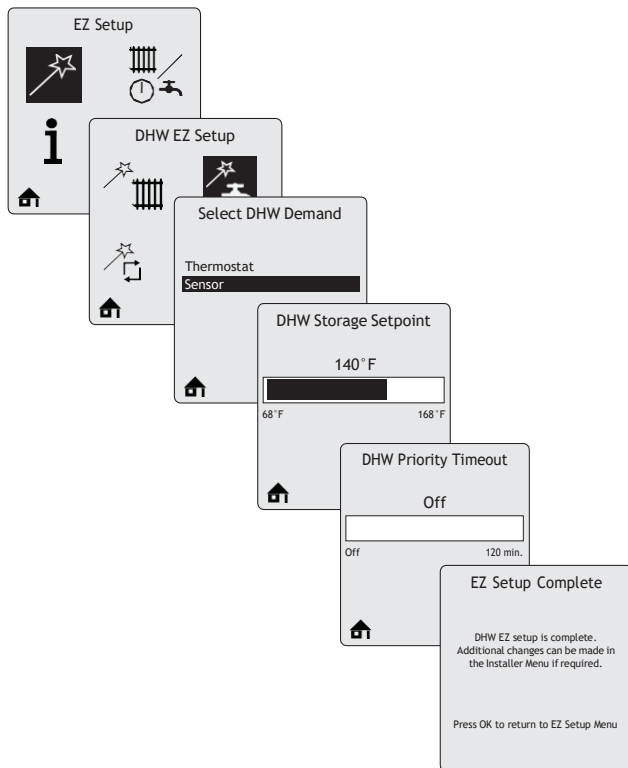
When **Thermostat** is selected in Select DHW Demand, a domestic hot water call from an aquastat or dry contact switch will enable the EXALT with a fixed setpoint for a domestic hot water call. After Thermostat is selected, the **DHW Boiler Setpoint** screen appears.

Default: Thermostat

DHW Boiler Setpoint prompts to enter the fixed boiler setpoint temperature during a domestic hot water call.




Touch the  or  soft keys to adjust the temperature setpoint then touch  to store the setting. The **DHW Priority Timeout** screen then appears (see below).

Default: 168°F [75°C].



When **Sensor** is selected in Select DHW Demand, use of an (optional) Indirect Water Heater Sensor is required. The EXALT monitors the DHW storage temperature and generates a DHW call whenever the temperature drops below the DHW storage setpoint by 6 °F [3 °C].

DHW Storage Setpoint prompts to enter the DHW Storage Setpoint temperature.




Touch the  or  soft keys to adjust the temperature setpoint then touch  to store the setting. The **DHW Priority Timeout** screen then appears.

Default: 140°F [60°C].

NOTICE

The DHW Boiler Setpoint will automatically be set 28°F [15°C] higher than the DHW Storage Setpoint setting

DHW Priority Timeout prompts to enter an optional time limit that a domestic hot water call has priority over central heating call.

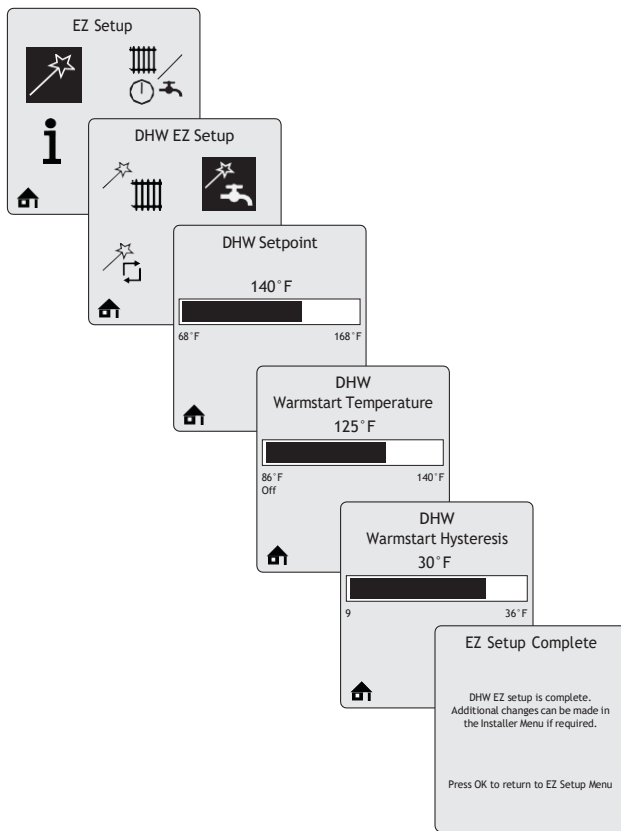
Touch the   keys to adjust the timeout value, if required, then touch  to store the setting and complete the DHW EZ Setup.

Default: Off

CHAPTER 9 - CTRLMAX OPERATION




9.9. Domestic Hot Water EZ Setup - EXALT Combi Units

Domestic Hot Water EZ Setup allows the installer to quickly customize the Domestic Hot Water settings for the application






DHW EZ Setup prompts the installer to select the DHW setpoint.

DHW Setpoint prompts to enter the fixed setpoint temperature during a domestic hot water call.

Touch the  or  soft keys to adjust the temperature setpoint then touch  to store the setting. The **DHW Warmstart Temperature** screen then appears .




Default: 140°F [60°C].

DHW Warmstart Temperature prompts to enter the DHW temperature in case you want to speed up the delivery of DHW in summer conditions.

Touch the  or  soft keys to adjust the temperature then touch  to store the setting. At the minimum temperature (86°F), this function is OFF. The **DHW Warmstart Hysteresis** screen then appears .

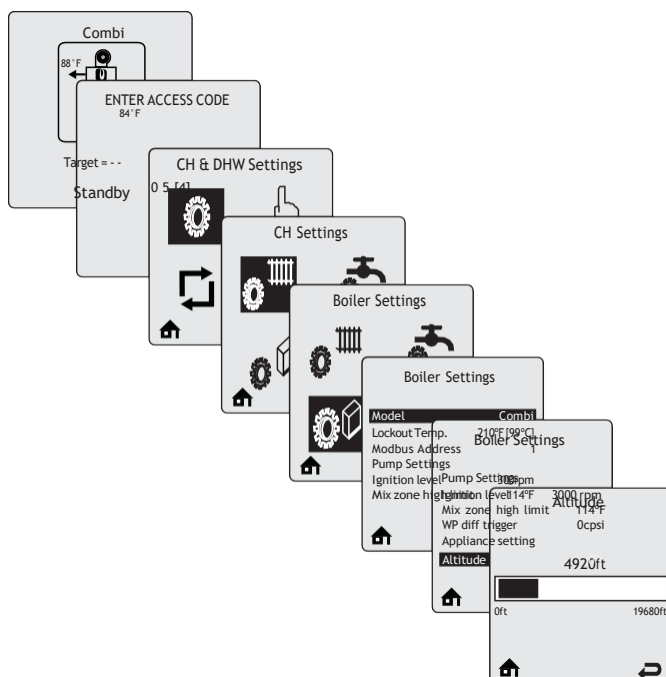
Default: 125°F [52°C].

DHW Warmstart Hysteresis prompts to enter the DHW hysteresis value, comprised between 9°F (5K) and 36°F (20K).

Touch the  or  soft keys to adjust the hysteresis value, then touch  to store the setting.



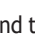
Default: 30°F (17k).



9.10. Altitude Setup

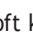






Altitude must be correctly set to allow reliable operation of the boiler.

From the home screen touch the  or  soft keys simultaneously for 5 seconds and “Enter Access Code” screen will be shown.

Touch the  or  soft keys to set the access code to 054. Touch  and the CH & DHW Settings screen will be shown.

Touch  and the CH Setting screen will be shown. Touch the  soft key and the “Boiler Settings” (list) screen will be shown.

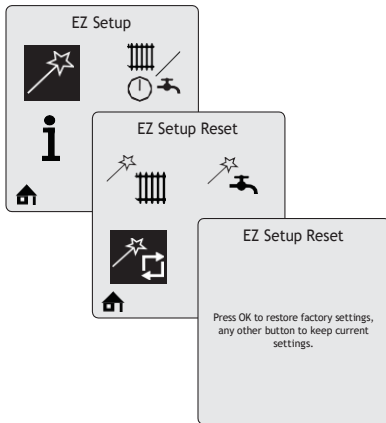
Touch the  soft key until the “Altitude” option is highlighted. Touch  and the Altitude screen will be shown.

Touch the  soft key until the correct altitude is shown, then touch the  soft key to highlight the home icon. Touch  to confirm.

Note. The altitude moves in steps of 984 ft (300m).

CHAPTER 9 - CTRLMAX OPERATION

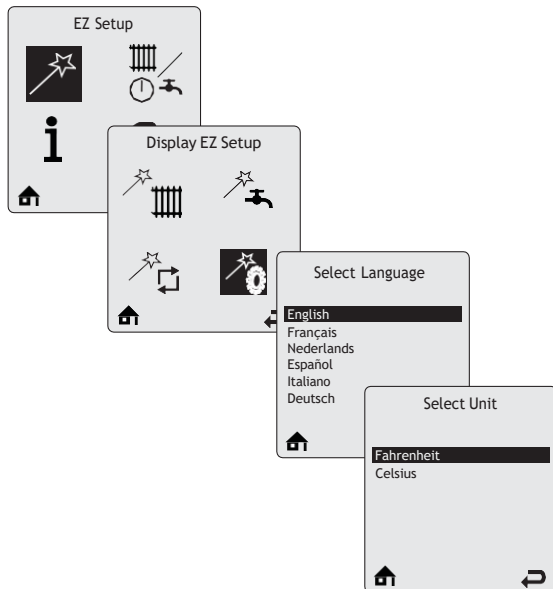
9.11. EZ Setup Reset



EZ Setup Reset allows reset of all EZ Setup settings back to the original factory defaults. See *Chapter 13 on page 77* for the list of settings reset by this function.

Follow the on-screen instructions to reset all EZ Setup settings.

9.12. Display EZ Setup



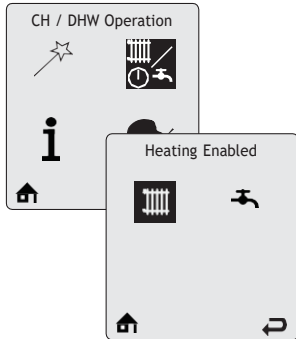
Display EZ Setup allows language (English, French, Dutch, Spanish, Italian, German, Czech) and temperature units selection.

Touch the or soft keys to select the required language then touch to store the setting. The **Select Unit** screen then appears.




Touch the or soft keys to select the required temperature units then touch to store the setting.

CHAPTER 9 - CTRLMAX OPERATION

9.13. CH/DHW Operation



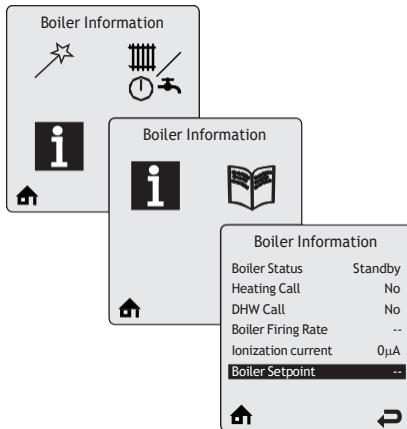
CH/DHW Operation provides a simple way to enable/disable either the CH or the DHW function of the EXALT.

Touch the  or  soft keys to select the CH or DHW icon, then touch  to toggle between the enabled/disabled status. The status is displayed at the top of the screen.


Using the arrow keys, select the **HOME** or **RETURN** icon at the bottom of the screen to go back either to the home page or to the previous screen.

Default :  

9.14. Boiler Information



Boiler Information provides real time operating information of the EXALT. Each line contains an information item followed by its current value. Six lines are displayed on the screen at one time.

Some information items include a logging function which records one sample every 12 minutes to produce a graph of the last 24 hours. Select the information item in Boiler Information then touch the  soft key to view its graph. The following items have a logging function:

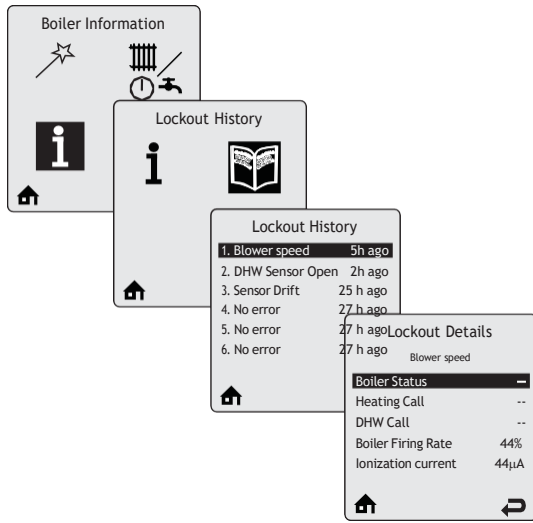
- Boiler Firing Rate
- Ionization Current
- Boiler Setpoint
- Boiler Supply Temperature
- Boiler Return Temperature
- Boiler Flue Temperature
- Outdoor Temperature
- DHW Storage Temperature
- External Modulation Signal
- Pressure

Touch the  or  soft keys to scroll through the items.

CHAPTER 9 - CTRLMAX OPERATION

9.14.1 Information Items

| Information Item | Description |
|----------------------------|---|
| Boiler Status | Displays the current operating state of the EXALT. This is the same as the status line on the home screen. |
| Heating Call | Displays if a central heating call is present. |
| DHW Call | Displays if a domestic hot water call is present. |
| Boiler Firing Rate | Displays the current firing rate of the EXALT. |
| Ionization Current | Displays the current flame ionization current from the ignitor. |
| Boiler Setpoint | Displays the current setpoint of the EXALT. |
| Supply Temp. | Displays the current supply temperature of the EXALT. |
| Return Temp. | Displays the current return temperature to the EXALT. |
| Boiler Flue Temp. | Displays the current flue temperature of the EXALT. |
| Outdoor Temp. | Displays the current outdoor temperature. |
| DHW Storage Temp. | Displays the current DHW storage temperature when Indirect Water Heater Sensor PSRKIT22 is installed. |
| External Modulation Signal | Displays the current external modulation signal being received from an external controller. |
| Pressure | Displays the current system water pressure. |
| CH Ignitions | Displays the number of central heating ignitions since the unit was installed. This counter increases in increments of twenty. |
| CH Runtime | Displays the number of hours the EXALT has run for a central heating call since the unit was installed. |
| DHW Ignitions | Displays the number of domestic hot water ignitions since the unit was installed. This counter increases in increments of twenty. |
| DHW Flowrate | Displays the Domestic Hot Water flow rate |
| DHW Runtime | Displays the number of hours the EXALT has run for a domestic hot water call since the unit was installed. |
| Mix Zone Temperature | Displays the current low temperature mix zone temperature. |



Lockout History records the last eight lockouts. Six lines are displayed on the Lockout History screen at one time. Each line contains a lockout description followed by how long ago the lockout occurred.

Touch the or keys to scroll through the items then touch to select and get more details through the **Lockout Details** screen. The following information items are recorded at the time of a lockout:

- Boiler Status
- Heating Call
- Domestic Call
- Boiler Firing Rate
- Flame Ionization Current
- Boiler Setpoint
- Boiler Supply Temperature
- Boiler Return Temperature
- Boiler Flue Temperature
- Outdoor Temperature
- System Temperature

9.14.2 Lockout Screen

If a problem occurs, the Lockout Screen replaces the Home Screen. The backlight will remain on until the lockout is reset.

Touching any arrow soft key will return to the Home Screen so that additional troubleshooting can be performed. See *Sections 9.14.3 on page 64 and 9.14.4 on page 65* for a list of lockouts and descriptions.

Select the Home Screen icon at the bottom of any screen to return to the lockout screen.

Low Water

Water pressure has fallen below
7.2 psi. Increase pressure
to normal range.

If problem persists,
call for service

E37

Lockout message.

Lockout text. The first sentence describes the lockout, the second sentence gives a possible cure, and the third tells how to reset the lockout.

Lockout reference code. Refer to *Sections 9.14.3 on page 64 and 9.14.4 on page 65* for more information.

CHAPTER 9 - CTRLMAX OPERATION

9.14.3 Manual Reset Lockouts

| Code | Lockout Message | Description |
|------|------------------------------------|---|
| E1 | Failed Ignition | The burner failed to light after 5 ignition attempts. |
| E2 | False Flame | Flame detected prior to ignition. |
| E3 | High Boiler Temperature | Boiler temperature has reached 210°F [99°C] or 102°F [39°C]. |
| E5 | Blower Speed | Blower is not at correct speed or speed signal is not being received by control module. |
| E8 | Flame Circuit Error | Flame circuit test failed. |
| E9 | Gas Valve Circuit Error | Gas valve circuit test failed. |
| E13 | Reset Limit Reached | Resets are limited to 5 every 15 minutes. |
| E15 | Sensor Drift | Supply or return sensor reading has drifted. |
| E16 | Supply Sensor Stuck | Supply sensor reading is not changing. |
| E17 | Return Sensor Stuck | Return sensor reading is not changing. |
| E18 | Sensor Failure | Supply or return sensor reading changed very rapidly. |
| E19 | Flame Failure During Startup Phase | Flame lost after startup |
| E21 | Internal Control Fault | A / D conversion error. |
| E30 | Supply Sensor Shorted | A short circuit has been detected in the boiler supply temperature sensor circuit. |
| E31 | Supply Sensor Open | An open circuit has been detected in the boiler supply temperature sensor circuit. |
| E43 | Return Sensor Shorted | A short circuit has been detected in the boiler return temperature sensor circuit. |
| E44 | Return Sensor Open | An open circuit has been detected in the boiler return temperature sensor circuit. |
| E47 | Water Pressure Sensor Error | Water pressure sensor is disconnected or broken. |
| E80 | Return > Supply | Return temperature is higher than supply temperature. |
| E83 | Delta T Protection | Excessive difference between boiler supply and return temperatures has occurred 5 times |
| E84 | High Flue Temperature | Flue temperature has exceeded high limit 5 times |
| E87 | External Limit Open | An external manual reset limit has opened |

CHAPTER 9 - CTRLMAX OPERATION

9.14.4 Automatic Reset Blocking Lockouts

| Code | Lockout Message | Description |
|------|------------------------------|--|
| E7 | High Flue Temperature | Flue temperature exceeds high limit. |
| E12 | Internal Control Fault | EEPROM misconfiguration. |
| E25 | Internal Control Fault | CRC check error. |
| E32 | DHW Sensor Shorted | A short circuit has been detected in the DHW temperature sensor circuit. |
| E33 | DHW Sensor Open | An open circuit has been detected in the DHW temperature sensor circuit. |
| E34 | Low Voltage | Line voltage has fallen below an acceptable operating level. |
| E37 | Low Water | Water pressure has fallen below 7.2 psi. |
| E45 | Flue Sensor Shorted | A short circuit has been detected in the boiler flue temperature sensor circuit. |
| E46 | Flue Sensor Open | An open circuit has been detected in the boiler flue temperature sensor circuit. |
| E76 | External Limit Open | An external automatic reset boiler limit has opened. |
| E77 | High Mix Circuit Temperature | Mix circuit temperature exceeds Mix zone high limit setting. |
| E78 | Mix Circuit Sensor Shorted | A short circuit has been detected in the mix circuit temperature sensor circuit. |
| E79 | Mix Circuit Sensor Open | An open circuit has been detected in the mix circuit temperature sensor circuit. |
| E81 | Sensor Drift | Supply and return temperatures are not equal. |
| E82 | Delta T Protection | Excessive difference between the boiler supply and return temperatures. |
| E89 | Incorrect Setting | A parameter setting is in conflict with another setting. |
| E90 | Firmware Mismatch | Control module and display firmware versions are incompatible. |
| E91 | System Sensor Shorted | A short circuit has been detected in the system temperature sensor circuit. |
| E92 | System Sensor Open | An open circuit has been detected in the system temperature sensor circuit. |
| E93 | Outdoor Sensor Shorted | An open circuit has been detected in the outdoor temperature sensor circuit. |
| E94 | Internal Display Fault | Display memory error. |
| E95 | Supply Sensor Error | Supply sensor reading is invalid. |
| E96 | Outdoor Sensor Open | An open circuit has been detected in the outdoor temperature sensor circuit. |
| E97 | Cascade Mismatch | Cascade configuration has changed. |
| E98 | Cascade Bus Error | Communication with other boilers has been lost. |
| E99 | Controller Bus Error | Communication between boiler display and control module has been lost. |

INTENTIONALLY LEFT BLANK

CHAPTER 10 - START-UP PREPARATION

10.1. Boiler System Fluid Requirements

NOTICE

Requirements below must be met for warranty coverage of EXALT heat exchangers. A thorough cleaning of any existing system, using approved heating system cleaning agents is required prior to installation of the EXALT boiler. System should be treated with an approved inhibitor after filling for long term protection.



Do not use petroleum-based cleaning or sealing compounds in the boiler system. Damage to seals and gaskets in the system components can occur, resulting in substantial property damage, serious injury, or death.

NOTICE

System fluid including additives, must be practically non-toxic, having a toxicity rating or Class of I, as listed in Clinical Toxicology of Commercial Products.

10.1.1 Boiler Fluid pH Level 6.0 to 8.0

Maintain the boiler fluid pH between 6.0 and 8.0. Check using litmus paper or contact a water treatment company for a chemical analysis.

If the pH does not meet this requirement, do not operate the EXALT or leave the unit filled until the condition is corrected.

10.1.2 Boiler Fluid Hardness Less Than 7 Grains

For areas with unusually hard water (hardness above 7 grains) consult a water treatment company.

10.1.3 Chlorinated Water

Do not use the EXALT to heat a swimming pool or spa directly.

Maintain the chlorine level of the water at levels considered safe for drinking.

10.1.4 Flush Boiler to Remove Sediment

The installer must flush the boiler system to remove any sediment to allow proper operation of the EXALT.

Flush the system until the water runs clean and is free of sediment.

For zoned systems, each zone should be flushed through a purge valve. Purge valves and isolation valves should be installed on each zone to allow proper flushing of the system.

10.1.5 Cleaning of Old Boiler/System:

- Drain the existing system.
- Fill system with fresh water and cleaner, place existing boiler in operation and run all zones.
- Follow manufacturer's instructions for proper cleaner concentration and proper cleaning time.
- Thoroughly drain and flush system with fresh water after cleaning.
- Install new boiler and fill system with fresh water and proper amount of inhibitor.
- Verify pH and inhibitor level per inhibitor manufacturer's specs; add inhibitor if necessary.

10.1.6 Cleaning of New Boiler/System:

- Install new boiler and flush system with clean water to remove any debris.
- Fill system with fresh water and proper amount of inhibitor.
- Verify pH and inhibitor level per inhibitor manufacturer's specs; add inhibitor if necessary.

CHAPTER 10 - START-UP PREPARATION

10.1.7 Check and Test Antifreeze

For boiler systems containing antifreeze solutions, follow the antifreeze manufacturer's instructions in verifying the inhibitor level and to ensure the fluid characteristics are within specification requirements.

Due to the degradation of inhibitors over time, antifreeze fluids must be periodically replaced. Refer to the manufacturer of the antifreeze for additional instructions.

10.1.8 Use of Antifreeze in the Boiler System



NEVER use automotive or ethylene glycol antifreeze or undiluted antifreeze in the system as freeze protection. This can result in substantial property damage, serious injury, or death.

Determine the antifreeze fluid quantity using the system water volume and following the antifreeze manufacturer instructions.

The water volume of the EXALT is approximately:

- 2 gallons [8 L] for EXALT Solo 110
- 3 gallons [12 L] for EXALT Solo/Combi 155
- 4 gallons [15 L] for EXALT Solo/Combi 199.

Remember to include the volume of the expansion tank.

Check with local code requirements for the installation of backflow preventers or actual disconnection of the boiler's cold water fill or make up water supply line.

NOTICE

Massachusetts Code requires the installation of a backflow preventer if antifreeze is used.

Ensure the concentration of antifreeze to water does not exceed a 50/50 ratio.

NOTICE

System fluid including additives, must be practically non-toxic, having a toxicity rating or Class of I, as listed in Clinical Toxicology of Commercial Products.



HOT WATER CAN SCALD!

- Water temperatures over 125°F can cause severe burns instantly, or death from scalds.
- Feel water before bathing or showering.
- Consumer Product Safety Commission and some states recommend temperatures settings of 130°F or less. Setting thermostat higher than 130°F will increase risk of scald injury and cause severe personal injury or death.
- Water heated to a temperature suitable for clothes washing, dish washing and other sanitizing needs will scald and cause permanent injury.
- Children and elderly, infirm, or physically handicapped persons are more likely to be injured by hot water. Never leave them unattended in or near a bathtub. If anyone using hot water in the building fits this description, or if state laws or local codes require certain water temperatures at hot water faucets, take special precautions.
 - ⊖ Install the factory supplied automatic mixing valve at water heater and/or install a point of use mixing valve at each hot water faucet, bath and shower outlet. Selection and installation of point of use mixing valves must comply with valve manufacturer's recommendation and instructions.
 - ⊖ Use the lowest practical temperature setting.
 - ⊖ Check water temperature after any adjustment of the mixing valve.
- Failure to comply with these instructions will result in serious injury, or death.

CHAPTER 10 - START-UP PREPARATION

10.2. Filling the Boiler System

1. Close the boiler drain valve located on the bottom of the unit and any manual or automatic air vents in the system.
2. Open all system isolation valves.
3. Fill the boiler system to correct system pressure. Correct pressure will vary with each application.

NOTICE

Typical residential system fill pressure is 12 psi. System pressure will increase as system temperature increases. Operating pressure of the system should never exceed 30 psi.

4. Purge air and sediment in each zone of the boiler system through the purge valve. Open air vents to allow air to be purged from the zones.
5. Once the system is completely filled and purged of all air and sediment, check the system pressure and check/repair any leaks.



WARNING

Unrepaired system leaks will cause continual makeup water to be added to the boiler. Continual makeup water will cause mineral buildup within the heat exchanger, reducing the heat transfer, causing heat buildup and eventual heat exchanger failure. This can result in substantial property damage, serious injury, or death.

10.3. EXALT Combi Water Heater - Water Requirements

NOTICE

The thermostatic mixing valve controls the hot water temperature delivered to the faucets.



WARNING

POTENTIAL SCALD HAZARD. A mixing valve must be installed on the EXALT Combi. Removal or adjustment of the mixing valve will create a potential scald hazard, which can result in serious injury, or death.

If any adjustment needs to be made to the valve's temperature setpoint refer to the manufacturer's instructions included with the valve.

General Notes

- Household water usage patterns will affect water temperature at any faucet or shower. Occasionally check temperature at each point of use, then adjust the mixing valve setting accordingly. Always recheck temperature after adjusting the mixing valve.
- Lowering the automatic mixing valve as indicated in these instructions will reduce water temperature levels. Consult your installer or service technician.

10.3.1 Filling the Domestic Circuit



CAUTION

- Never use the EXALT Combi unless the circuits of the water heater are completely filled with water.
- Failure to comply with these instructions can result in minor property damage, or injury.

1. Close domestic water drain valve.
2. Open domestic water isolation valves slowly on the water heater piping.



CAUTION

Make sure to open the domestic isolation valve slowly to prevent any damage to the domestic circuit flow sensor.

3. Vent air from domestic circuit by opening nearest hot water faucet, until there is a constant flow of water.
4. Close hot water faucet.

10.4. Check Low Water Cut-Off Device

- The EXALT is provided with a factory installed LWCO device that monitors system pressure.
- Access the Boiler Information Menu by following instructions in *Section 9.14 on page 61*. Scroll down to see the current system pressure and verify it is within the range given in *Section 10.2 above*.

CHAPTER 10 - START-UP PREPARATION

10.5. Check For Gas Leaks



- Prior to start-up and during initial operation, check for a gas leak using a combustible gas detector. Do not proceed with the start-up if there is any indication of a gas leak. Any leaks found must be repaired immediately.
- Propane installations only - The propane supplier mixes an odorant with the propane to make its presence detectable. In some cases the odorant can fade and the gas may no longer have an odor.
- Prior to start-up of the unit and periodically after start-up have the propane supplier check and verify the odorant level.
- Failure to comply with these instructions can result in substantial property damage, serious injury, or death.

10.6. Check Thermostat Circuit

- Disconnect the external thermostat wires from the low voltage terminals.
- Connect a voltmeter across the wire ends of the external thermostat wiring.
- Close each thermostat, zone valve and relay in the external circuit one zone at a time and check the voltage reading across the wire ends.
- There should NEVER be voltage measured at the wire ends.
- If voltage is measured under any condition, check and correct the external wiring.

NOTICE

In systems using 3-wire zone valves, voltage backfeed to the unit is a common problem. Use an isolation relay to prevent voltage from the external circuit from entering the EXALT.

- Reconnect the external thermostat wires to the low voltage terminal strip.

10.7. Inspect Condensate Drain Assembly

1. Inspect and ensure the Condensate Drain Assembly is properly installed as described in *Section 6.2 on page 37*.
2. Remove the plug from the Condensate Drain Assembly and fill with fresh water.



The condensate drain assembly must be filled with water when the EXALT is in operation. The condensate drain assembly prevents flue gas emissions from entering the condensate line. Failure to ensure trap is filled with water can result in serious injury, or death.

3. Re-Install plug in condensate drain assembly.

11.1. Final Checks Before Start-Up

- ⌚ Read *Chapter 9 on page 51* regarding the operation of the CTRLMax Boiler Management System.
- ⌚ Verify the EXALT and the boiler system are full of water and all system components are correctly set for operation, including the minimum flow rate through the boiler, see specifications in *Chapter 19 on page 101*.
- ⌚ Verify Start-up Preparation items outlined in *Chapter 10 on page 67* have been completed.
- ⌚ Verify all electrical connections are correct and securely fastened.
- ⌚ Inspect vent and combustion air piping for signs of deterioration from corrosion, physical damage or sagging. Verify combustion air and vent piping are intact and correctly installed and supported. Reference the EXALT Vent Supplement.
- ⌚ Verify burner configuration - Propane only.
 - Check for proper labeling on the venturi and the rating label for propane configuration.
 - If there is doubt on the burner configuration, remove the venturi and check for proper propane gas orifice sizing on venturi labeling. Refer to *Section 7.3.2 on page 41* for orifice sizes. Consult Propane Conversion Instructions for proper removal and replacement of the venturi.
- ⌚ Ensure the Condensate Drain Assembly is filled with water.

11.2. EXALT Start-Up

1. Turn ON the electrical supply/service to the unit. Touch the ON-OFF button located on the front control panel to the OFF position.
2. Read and follow the Operating Instructions outlined on following page.

If EXALT Does Not Start Correctly

1. Check for loose electrical connections, blown fuses on control module, or an open service switch.
2. Verify CH and DHW operation is enabled. A radiator or faucet icon with an X through it indicates that function is disabled.
3. Check the system pressure in the Boiler Information Menu by following the instructions in *Section 9.14 on page 61*.
4. Is an external limit (if applicable) open? Ensure the external limit is reset to the closed position.

5. Are the gas supply valves open at the unit and meter?
6. Is incoming gas supply pressure at the unit more than 5" w.c. and less than 13" w.c. for Natural Gas and more than 8" w.c. and less than 13" w.c. for LP with all gas appliances ON and OFF.
7. Are the heating thermostats set above room temperature?

If none of these conditions correct the problem, contact Ideal Technical Support.

11.3. Check the EXALT and System

11.3.1 Check Boiler Piping.

- Check Boiler system piping and components for leaks. If found, shut down the unit and repair immediately.
- Purge any remaining air from the system. Air in the system will interfere with circulation, creating heat distribution problems and noise.

11.3.2 Check Vent and Combustion Air Piping.

- Check for a gas-tight seal at every connection and seam of the vent and combustion air piping.

DANGER

Venting system must be sealed gas-tight to prevent flue gas spillage and carbon monoxide emissions, which will result in serious injury, or death.

11.3.3 Check Gas Piping

Check around the unit for gas odor following the procedure outlined in this manual *on page 72*.

DANGER

If any gas leaks are found or suspected, shut the unit down immediately. Use a gas detection device or bubble test to locate the source of the gas leak and repair at once. Do not operate the unit until the leak is corrected. Failure to comply with this procedure will result in substantial property damage, serious injury, or death.

FOR YOUR SAFETY, READ BEFORE OPERATING



If you do not follow these instructions exactly, a fire or explosion may result, causing substantial property damage, serious injury, or death.


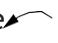
- A. This appliance does not have a pilot. It is equipped with an ignition device which automatically lights the burner. **DO NOT** try to light the burner by hand.
- B. **BEFORE OPERATING**, smell all around the appliance area for gas. Be sure to smell next to the floor because some gas is heavier than air and will settle on the floor.
- C. Use only your hand to turn the external manual gas valve. Never use tools. If the valve will not turn by hand, don't try to repair it; call a qualified service technician. Force or attempted repair may result in a fire or explosion.

WHAT TO DO IF YOU SMELL GAS


- **Do not try to light any appliance.**
- **Do not touch any electric switch; do not use any phone in your building**
- **Immediately call your gas supplier from a neighbor's phone. Follow the gas supplier's instructions.**
- **If you cannot reach your gas supplier, call the fire department.**

- D. Do not use this appliance if any part has been under water. Immediately call a qualified service technician to inspect the appliance and to replace any part of the control system and any gas control which has been under water.

OPERATING INSTRUCTIONS

1. **STOP!** Read the safety information above. This appliance is equipped with an ignition device which automatically lights the burner. **DO NOT** try to light the burner by hand.
2. Set room thermostat(s) to lowest setting. Turn the external manual gas valve handle clockwise  to "CLOSE" (valve handle must be perpendicular to gas piping).
3. Turn the service switch on the appliance control panel OFF.
4. Remove the front jacket panel on the unit.
5. Wait five (5) minutes to clear out any gas. If you then smell gas in the jacket enclosure or around the unit, **STOP!** Follow "B" in the safety information above. If you don't smell gas, go to the next step.
6. Turn the external manual gas valve handle counter clockwise  to "OPEN" gas supply (valve handle shall be parallel to gas piping).
7. Turn the service switch on the appliance control panel "ON".
8. Set room thermostat(s) to desired setting(s).
9. The appliance control panel display will show the current operating status on the Status Line at the bottom of the screen. "Standby" means there is no call for heat (all thermostats are satisfied). "CH Demand" indicates a space heating call has been received. "DHW Demand" indicates a domestic hot water call has been received. A flame icon will be displayed when the unit is fired.
10. If the unit will not operate, follow the instructions "To Turn Off Gas to Appliance" and call your service technician or gas supplier.
11. Replace the front jacket panel. Make sure the panel is seated firmly in place and all mounting screws are tightened.

TO TURN OFF GAS TO APPLIANCE

1. Set the room thermostat to lowest setting.
2. Turn the service switch on the appliance control panel to "OFF"
3. Turn the external manual gas valve handle clockwise  to "CLOSE".

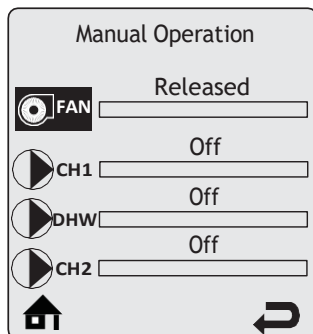
11.3.4 Verify Flame Pattern and Combustion

1. Check the flame pattern through the observation port of the heat exchanger. The flame should be blue and stable. The flame should be over the length of the burner head. It is not possible to determine correct combustion by inspecting the colour and pattern of the flame. It is important to measure combustion with a calibrated flue gas analyser.

NOTICE

Combustion testing and adjustments must be performed by a qualified installer, service agency or the gas supplier. All combustion measurements must be performed with recently calibrated equipment (1 year max.) to ensure proper reading and accuracy.

2. Test for CO₂ or O₂ and for CO during high firing rate. The combustion readings must be within the range listed in Table 6 on page 74. **The CO level must not exceed 150 ppm for natural gas or 200 ppm for propane gas.** Perform the following procedure to manually place the burner into high fire.
 - a. Touch simultaneously on the and soft keys for 3 seconds to access the functions for the installer. Reference Section 9.1 on page 51.
 - b. Enter the installer access code “054” by using the and soft keys to select a digit location and the and soft keys to change the digit. Touch the soft key to enter the access code.
 - c. Touch the soft key to highlight the Manual Operation icon then touch the soft key.
 - d. Touch the soft key while the FAN icon is highlighted to manually fire the burner and power the CH circulator(s).



NOTICE

An adequate CH load must be present to dissipate the heat generated during the combustion test. If an adequate CH load is not available, an indirect water heater can be used to dissipate the heat by creating a DHW call which will enable the DHW circulator.

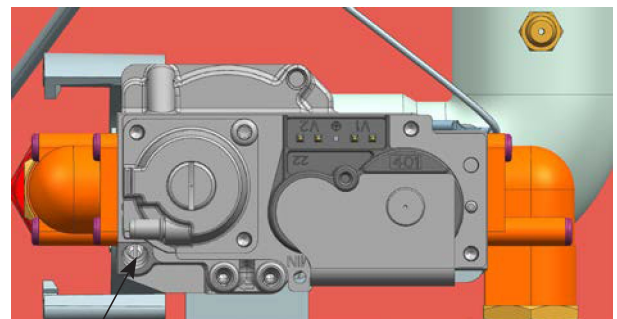
- e. Touch the soft key to adjust the firing rate from 1% to 100%. Hold down the soft key to rapidly increase the firing rate.
 - f. Touch the soft key while the FAN icon is highlighted to shutdown the burner.
3. If the combustion levels during high fire (100%) are outside the acceptable levels, adjust the THROTTLE SCREW (see Fig. 35 on page 73) according to Table 6 on page 74.
 4. Once the combustion level is set at high fire (100%), manually place the boiler into low fire (1%) mode by touching the soft key to adjust firing rate down.
 5. Verify the combustion levels during low fire (1%) are within the acceptable combustion levels in Table 6 on page 74.

WARNING

If the combustion levels at low fire (1%) are not within the range given in Table 6 on page 74, shut the boiler down and contact Ideal Technical Support. Failure to comply with this requirement can result in substantial property damage, serious injury, or death.

Table 5 - Throttle Screw Adjustment

| Direction | EXALT Solo/Combi |
|-------------------|---|
| Clockwise | Decrease CO ₂ Increase O ₂ |
| Counter-Clockwise | Increase CO ₂ Decrease O ₂ |



Throttle Screw

Fig. 35 - Throttle Screw Location

11.3.5 Measure Input - Natural Gas Only

1. Ensure the boiler is firing at maximum firing rate. To manually place the boiler into high fire, reference *Section 11.3.4 on page 73*.
2. Operate the unit for approximately 10 minutes.
3. Turn off all gas appliances within the building, except the EXALT.
4. At the gas meter, record the time required to use one cubic foot of gas.
5. Calculate Natural gas input using the following equation:
 $3600 \times 1000 / \text{number of seconds recorded for one cubic foot of gas} = \text{BTU/H}$.
6. The BTU/H calculated should approximate the input rating listed on the unit.

11.3.6 Test High Temperature Limit

The high temperature limit can be temporarily lowered from 210°F [99°C] to 102° F [39°C] for testing.

1. Touch simultaneously on the and soft keys for 3 seconds to access the functions for the installer. Reference *Fig. 34 on page 51*.
2. Enter the installer access code “054”, using the and soft keys to select a digit and the and soft keys to change the digit. Touch the soft key to enter the access code.
3. Touch the soft key while CH & DHW Settings icon is highlighted.

4. Touch the soft key to highlight the Boiler Settings icon then touch the soft key.
5. Touch the soft key to highlight Lockout Temperature then touch the soft key.
6. Touch the soft key to highlight 102°F [39°C] then touch the soft key.
7. Touch the soft key to highlight the Home Screen icon then touch the soft key.
8. Initiate a CH or DHW call and confirm that a High Boiler Temperature lockout occurs once the supply temperature reaches 102°F [39°C].
9. Touch any **ARROW** soft key to return to the Home Screen.
10. Touch simultaneously on the and soft keys for 3 seconds to access the functions for the installer.
11. Touch the soft key while the CH & DHW Settings icon is highlighted.
12. Touch the soft key to highlight the Boiler Settings icon then touch the soft key.
13. Touch the soft key to highlight Lockout Temperature, then touch the soft key.
14. Touch the soft key to highlight 210°F [99°C] then touch the soft key.
15. Touch the soft key to highlight the Home Screen icon then touch the soft key.
16. Touch the soft key to reset the lockout and return the unit to service.

Table 6 - Acceptable Combustion Levels

| | | Natural Gas 110, 155 | Natural Gas 199 | Propane (All Models) |
|------------------|------------|---|-----------------|---|
| HIGH FIRE | CO2 Range | 9.0 to 10.5% | 8.5 to 10.5% | 10.4 to 11.0% |
| | CO2 Target | 9.50% | | 10.80% |
| | O2 Range | 4.85 to 2.15 % | 5.75 to 2.15 % | 5.1 to 4.2 % |
| | O2 Target | 3.95% | | 4.50% |
| | CO Max | <150 ppm @ 9.5% CO2 | | <200 ppm @ 10.8% CO2 |
| LOW FIRE | CO2 Range | 9.0 to 10.0 % | 8.5 to 10.0 % | 10.4 to 11.0 % |
| | | Target values are equivalent to High Fire values, ensure CO2 values measured are less than or equal to High Fire CO2 measurements | | Target values are equivalent to High Fire values, ensure CO2 values measured are less than or equal to High Fire CO2 measurements |
| | O2 Range | 4.85 to 3.0 % | 5.75 to 3.0 % | 5.1 to 4.2 % |
| | | Target values are equivalent to High Fire values, ensure O2 values measured are higher than or equal to High Fire O2 measurements | | Target values are equivalent to High Fire values, ensure O2 values measured are higher than or equal to High Fire O2 measurements |
| | CO Max | 10 ppm | | 10 ppm |

The use of the outdoor reset function is required to optimize boiler efficiency, see notice below. If the outdoor sensor is not installed before turning on the EXALT, an Outdoor Sensor Open error (E96) will be displayed. The error will not prevent the boiler from operating. The error will automatically reset once the outdoor sensor is installed or if the outdoor reset function is disabled. Reference *Section 9.7 on page 56* for information on disabling the outdoor reset function. The outdoor reset function can only be disabled if the installation meets one of the exceptions listed in the **IMPORTANT** notice below.

12.1. Mounting the Outdoor Sensor

1. The exterior wall selected for mounting the outdoor sensor should represent the heat load of the building. Typically a northern wall will suit most buildings.
2. Ensure the outdoor sensor is shielded from direct sunlight or the effects of heat or cold from other sources (exhaust fans, appliance vents...) to prevent false temperature readings.
3. Mount the outdoor sensor at an elevation on the exterior wall to prevent accidental damage or tampering.
4. Avoid mounting the outdoor sensor in areas subjected to excessive moisture.
5. Once an area on the exterior wall has been determined, follow the mounting instructions included with the outdoor sensor.

12.2. Wiring the Sensor

1. Connect 18 AWG 2-wire cable or similar to the outdoor sensor.
2. Route the cable back to the EXALT boiler, ensuring the wires are not run parallel to telephone or power wiring.

NOTICE

If the sensor wires are located in an area with sources of electromagnetic interference (EMI), the sensor wires should be shielded or the wires should be run in a grounded metal conduit. If using shielded cable, the shielding should be connected to the common ground of the unit.

3. Connect the outdoor sensor wires to low voltage terminals X6-1&2 located at the bottom of the CTRLMax control module as shown in *Fig. 33 on page 49*.

IMPORTANT

In accordance with Chapter 325 (f) (3) of the Energy Policy and Conservation Act, this boiler is equipped with a feature that saves energy by reducing the boiler water temperature as the heating load decreases. This feature is equipped with an override which is provided primarily to permit the use of an external energy management system that serves the same function.

THIS OVERRIDE MUST NOT BE USED UNLESS AT LEAST ONE OF THE FOLLOWING CONDITIONS IS TRUE.

- **An external energy management system is installed that reduces the boiler water temperature as the heating load decreases.**
- **This boiler is not used for any space heating**
- **This boiler is part of a modular or multiple boiler system having a total input of 300,000 BTU/hr or greater.**
- **This boiler is equipped with a tankless coil.**

INTENTIONALLY LEFT BLANK

CHAPTER 13 - EXTERNAL MODULATING CONTROL

The EXALT can directly accept an analog 0-10 VDC signal from an external modulating boiler controller to control the firing rate.

13.1. Wiring the Modulating Controller

Run two 18 gauge wires from the external modulating boiler controller's 0-10 VDC boiler output to low voltage terminals X5-1&2 located at the bottom of the CTRLMax control module, as shown in *Fig. 33 on page 49*. This signal will both enable and modulate the boiler. No wiring is required at the thermostat terminals.

External modulating control will only function if the external modulating controller is properly wired to the EXALT as follows:

- X5-1 = +
- X5-2 = -

NOTICE

Ensure that the polarity of the connections from the external modulating boiler controller to the boiler are correct. Reversed polarity will lead to no response from the boiler.

CTRLMax Factory Settings

| HEATING SETTING | FACTORY DEFAULT | | MINIMUM SETTING | MAXIMUM SETTING | EZ SETUP RESET | INSTALLER RESET |
|----------------------------|--------------------------|--------------------------|-----------------|-----------------|----------------|-----------------|
| | EXALT | Solo EXALT Combi | | | | |
| Heating Operation | Enabled | Enabled | | | | ✓ |
| Demand Type | Thermostat & Outd. Curve | Thermostat & Outd. Curve | | | ✓ | ✓ |
| Absolute Max CH Setpoint | 185°F [85°C] | 185°F [85°C] | 68°F [20°C] | 188°F [87°C] | | ✓ |
| CH1 Maximum Setpoint | 180°F [82°C] | 180°F [82°C] | 68°F [20°C] | 188°F [87°C] | ✓ | ✓ |
| CH1 Minimum Setpoint | 80°F [27°C] | 80°F [27°C] | 60°F [15°C] | 188°F [87°C] | ✓ | ✓ |
| Outdoor Curve Coldest Day | 10°F [-12°C] | 10°F [-12°C] | -30°F [-34°C] | 50°F [10°C] | | ✓ |
| Outdoor Curve Warmest Day | 64°F [18°C] | 64°F [18°C] | 60°F [15°C] | 78°F [25°C] | | ✓ |
| CH2 Circuit | Enabled | Enabled | | | | ✓ |
| CH2 Maximum Setpoint | 140°F [60°C] | 140°F [60°C] | 68°F [20°C] | 194°F [90°C] | ✓ | ✓ |
| CH2 Minimum Setpoint | 80°F [27°C] | 80°F [27°C] | 60°F [15°C] | 190°F [88°C] | ✓ | ✓ |
| Warm Weather Shutdown | Off | Off | Off | 78°F [25°C] | ✓ | ✓ |
| Circulation Pump Permanent | Disabled | Disabled | | | | ✓ |
| CH Post Pump Time | 5 Minutes | 5 Minutes | Off | 20 Minutes | | ✓ |
| Freeze Protection | Enabled | Enabled | | | | ✓ |
| Frost Protection Setpoint | -22°F [-30°C] | -22°F [-30°C] | -22°F [-30°C] | 50°F [10°C] | | ✓ |
| Parallel Shift Value | 0°F [0°C] | 0°F [0°C] | 0°F [0°C] | 144°F [80°C] | | ✓ |
| CH Call Blocking | 2 Minutes | 2 Minutes | 0 Minute | 30 Minutes | | ✓ |

13.2. CTRLMax Programming

The CTRLMax control module must be programmed to accept the 0-10 VDC signal from the external modulating boiler control.

1. Use the Heating EZ Setup function to set CH Demand to 0-10V Modulation Signal. Reference *Section 9.7 on page 56*.

13.3. Programming of External Modulating Control

The external modulating control must be programmed to send 2 VDC to enable the boiler and run it at low fire, and 10 VDC to run the boiler at high fire. Once the control enables the boiler, it must wait 30 seconds to allow the burner to stabilize before modulating the boiler.

CHAPTER 13 - EXTERNAL MODULATING CONTROL

CTRLMax Factory Settings (cont'd)

| HEATING SETTING | FACTORY DEFAULT | | MINIMUM SETTING | MAXIMUM SETTING | EZ SETUP RESET | INSTALLER RESET |
|--------------------------|-----------------|----------------|-----------------|-----------------|----------------|-----------------|
| | EXALT Solo | EXALT Combi | | | | |
| DHW Operation | Enabled | Enabled | | | | ✓ |
| Demand Type | Thermostat | N/A | | | | Thermostat |
| DHW Boiler Setpoint | 168° F [75° C] | 168° F [75° C] | 96° F [35° C] | 188° F [87° C] | ✓ | ✓ |
| DHW Setpoint | 140° F [60° C] | 140° F [60° C] | 68° F [20° C] | 168° F [75° C] | ✓ | ✓ |
| DHW Warmstart Setpoint | N/A | 125° F [52° C] | 86° F [30° C] | 140° F [60° C] | ✓ | ✓ |
| DHW Warmstart Hysteresis | N/A | 30° F [17K] | 9K | 36K | ✓ | ✓ |
| DHW On Differential | 6° F [3K] | 18° F [10K] | 4° F [2° C] | 18° F [10° C] | | 6° F [3K] |
| DHW Storage Adder | 27° F [15° K] | N/A | 10° F [5° C] | 54° F [30° C] | | 27° F [15° K] |
| DHW Post Pump Time | 2 Minutes | 2 Minutes | Off | 30 Minutes | | ✓ |
| DHW Priority Timeout | Off | Off | Off | 120 Minutes | ✓ | ✓ |
| DHW Priority | Enabled | Enabled | | | | ✓ |
| DHW Call Blocking | 1 Minute | 1 Minute | 0 Minute | 30 Minutes | | ✓ |
| DHW to CH Call Blocking | 1 Minute | 1 Minute | 0 Minute | 30 Minutes | | ✓ |
| Antilegionella Function | Disabled | Enabled | | | Enabled | ✓ |

| BOILER SETTING | FACTORY DEFAULT | | MINIMUM SETTING | MAXIMUM SETTING | EZ SETUP RESET | INSTALLER RESET |
|----------------------|----------------------------------|---------------|-----------------|-----------------|----------------|-----------------|
| | EXALT Solo | EX-ALT Combi | | | | |
| Lockout Temp. | 210° F [99° C] | | | | | ✓ |
| Modbus Address | 0=BCST | 0=BCST | | 247 | | ✓ |
| Flex. Relay 1(CH) | CH1 | | | | | ✓ |
| Flex. Relay 2(DHW) | DHW | | | | | |
| Flex. Relay 3(P3) | CH1/CH2/DHW | | | | | |
| Flex. Relay 4(ERR) | ERROR | | | | | |
| Flex. Relay 5(Flame) | FLAME | | | | | |
| Flex. Relay 6(P4) | CH2 | | | | | |
| Error Relay | On Lockout, Blocking and Warning | | | | | |
| Pump PWM Minimum | 30% | 1% | | 100% | | |
| Ignition Level | Varies by model | | | | | |
| Mix Zone High Limit | 114° F [45° C] | 68° F [20° C] | | 176° F [80° C] | | |
| Appliance Setting | Varies by model | | | | | |
| Altitude Setting | 0 ft | 0 ft | | 20,000 ft | | |

NOTICE

Perform the following check-out procedures as outlined and check off items as completed. When procedures are completed, the installer should complete the installation record in Chapter 15 on page 8180.

- Boiler system fluid chemistry checked and verified as outlined in Section 10.1 on page 67.
- Boiler system was completely flushed to remove any debris/sediment.
- Any automatic air vents placed within the system are open one full turn.
- Air is purged from the heating zones and boiler system piping.
- If applicable, confirm that the burner has been properly configured for Propane as outlined in Section 7.3 on page 41.
- Thermostat circuit wiring checked and verified that no voltage is present as outlined in Section 10.6 on page 70.
- Operating Instructions were followed during start-up.
- Combustion levels and flame pattern verified as outlined in Section 11.3.5 on page 74.
- Measured the rate of input on Natural Gas as outlined in Section 11.3.5 on page 74.
- Test high temperature limit as outlined in Section 11.3.6 on page 74.
- Checked the incoming gas pressure at the unit more than 5" w.c. and less than 13" w.c. for Natural Gas and more than 8" w.c. and less than 13" w.c. for LP with all gas appliances ON and OFF.
- Adjusted balancing valves and system limit controls to provide design temperatures to the primary space heating system.
- In multiple zone applications, adjusted for correct flow of boiler water to each zone.
- Checked and verified room thermostat(s) function properly and the thermostat(s) heat anticipator (if used) was properly set.
- Observed several operating cycles for proper operation of the EXALT and the system.
- Set the room thermostat(s) to the desired room temperature.
- Reviewed all instructions shipped with the EXALT with the homeowner or maintenance personnel.
- Completed the Installation Record of Chapter 15 on page 81.
- Ensure all manuals and other documents are returned to the Installation envelope and given to the owner for safekeeping.

INTENTIONALLY LEFT BLANK

CHAPTER 15 - INSTALLATION RECORD

Ensure all manuals and other documents are returned to the Installation envelope and given to the owner for safekeeping.

EXALT Model Number: _____

Serial Number: _____

Date of Installation: _____

Fuel: Natural Gas Propane

Measured Rate of Input: _____ Btu/hr = $\frac{3600}{\text{seconds per 1ft}^3 \text{ gas}} \times 1000$

Combustion Readings:

As Operating:

As Installation Manual Table 6:

OK

CO₂ _____ %

CO₂ _____ %

O₂ _____ %

O₂ _____ %

NOT OK

CO _____ ppm

CO _____ ppm

The following items were completed during installation:

- Installation instructions have been followed and completed
- Check-out procedures have been followed and completed
- Information regarding the unit and installation received and left with owner / maintenance personnel.
- If air for combustion is taken from inside the property the customer has been made aware of their obligation to ensure air grilles remain free from obstruction at all times.

Installer Information

(Company) _____

(Address) _____

(Address) _____

(Phone Number) _____

(Contractor / Installer Name) _____ Signature _____ Date _____

(Customer Name) _____ Signature _____ Date _____

INTENTIONALLY LEFT BLANK

CHAPTER 16 - MAINTENANCE SCHEDULES

16.1. Service Technician

At least on an **annual** basis the following maintenance should be performed by a qualified service technician:

General

- Attend to any reported problems.
- Inspect the interior of the boiler jacket area; clean and vacuum if necessary.
- Clean the condensate drain assembly and fill with fresh water.
- Check boiler fluid pH on systems.
- Check for leaks, both inside and outside the unit: water, gas, flue and condensate.
- Verify vent piping and air inlet piping are in good condition, sealed tight and properly supported.
- Check boiler water pressure, piping and expansion tank.
- Check control settings.
- Check ignition electrode (sand off any white oxide; clean and reposition).
- Check ignition wiring and ground wiring.
- Check all control wiring and connections.
- Check burner flame pattern (stable and uniform).
- Check carbon monoxide detector operation.
- Check combustion levels (refer to start up procedure on *page 73* and *Table 6 on page 74*).

Additional items if combustion or performance is poor:

- Clean heat exchanger and flue ways.
- Remove burner assembly and clean burner head using compressed air only.

Once the maintenance items are completed, review the service with the owner.

16.2. Owner Maintenance

Periodically:

- Check the area around the unit.
- Check and remove any blockage from the combustion air inlet and ventilation openings.
- Check the temperature and pressure gauges.

Monthly:

- Check vent piping.
- Check combustion air inlet piping.
- Check the pressure relief valve.
- Check the condensate drain system.

Every 6 months:

- Check boiler piping and gas supply piping for corrosion or potential signs of leakage.
- Operate the pressure relief valve.
- Check carbon monoxide detector operation.



Follow the maintenance procedures given throughout this manual. Failure to perform the service and maintenance or follow the directions in this manual can result in damage to the EXALT or system components, resulting in substantial property damage, serious injury, or death.



- **Where air for combustion is taken directly from inside the property. It is essential this air supply is free from obstruction. Failure to supply adequate air for combustion may result in serious injury or death.**

17.1. Service Technician Maintenance Procedures



The EXALT must be inspected and serviced annually, preferably at the start of the heating season, by a qualified service technician. In addition, the owner maintenance and care of the unit as outlined in *Chapter 16 on page 83* and further explained in the EXALT User's Information manual should be performed to assure maximum efficiency and reliability of the unit. Failure to service and maintain the EXALT and the system components can result in equipment failure, resulting in substantial property damage, serious injury, or death.

NOTICE

The following information provides detailed instructions for completing the service technician maintenance items outlined in the maintenance schedule of Chapter 16 on page 83.

17.2. Reported Problems

Any problems reported by the owner should be checked, verified and corrected before proceeding with any maintenance procedures.

17.3. Check Surrounding Area

- Verify that the area surrounding the EXALT is free of combustible / flammable materials or flammable vapors or liquids. Remove immediately if found.
- Verify that combustion air inlet area is free of any contaminants. Refer to the materials listed in *Section 2.1 on page 5* of this manual. If any of these products are in the area from which the unit takes its combustion air, they must be removed immediately or the combustion air intake must be relocated to another area.

17.4. Inspect Burner Area

- Remove the boiler front jacket panel and venturi inlet elbow.
- Vacuum any dirt or debris from the burner/blower components.
- Check the burner plate mounting nuts for tightness, see *Section 17.24 on page 87* for torque specification.
- Check burner plate gasket for discoloration or damage.
- Check for flue gas leakage where the condensate pan connects to the heat exchanger and at the top and bottom of the internal vent pipe.

- Re-install venturi inlet elbow and front jacket panel when completed.



Do not use solvents to clean any of the burner components. The components could be damaged, resulting in unreliable or unsafe operation. Failure to comply with this instruction can result in substantial property damage, serious injury, or death.

17.5. Check System Piping

- Inspect all water and gas piping for leaks and verify that the piping is properly supported.
- Inspect the fittings and components on the unit and verify they are leak free.



Eliminate all system water leaks. Continual fresh make-up water will reduce the heat exchanger life causing boiler failure. Leaking water may also cause severe property damage to the surrounding area. Inspect the gas supply piping using the procedure outlined in *Section 11.3.3 on page 71*. Failure to comply with this instruction can result in substantial property damage, serious injury, or death.

17.6. Clean Condensate Drain Assembly

NOTICE

For the EXALT Combi unit, the front panel needs to be removed to gain access to the condensate drain assembly.

- Loosen the retaining nut from the condensate drain assembly and disconnect the assembly from the boiler.
- Empty any water from the trap and flush with fresh water as necessary to clean.
- Remove plastic ball and clean with fresh water.
- Check the drain piping from the condensate drain assembly to the drain. Refer to *Section 6.2 on page 37*. Flush to clean as necessary.
- Install the plastic ball into the condensate drain assembly and reassemble onto the boiler by tightening the retaining nut with rubber seal onto the boiler. Hand tight only.
- Remove the fill plug on the condensate drain assembly and fill with water. See *Fig. 24 on page 38*.
- Replace the fill plug on drain assembly.

17.7. Check Ventilation Air Openings

- Verify that all ventilation openings to the mechanical room or building are open and unobstructed. Check the operation and wiring of any automatic ventilation dampers.
- Check and verify the vent termination and the combustion air intake are free of debris and obstructions.

17.8. Inspect Vent and Combustion Air Piping

- Visually inspect the venting system and combustion air piping for blockage, deterioration of gaskets or leakage. Repair any deficiencies.
- Verify that the combustion air inlet and vent piping is connected, sealed and properly supported.



Failure to inspect the vent system and combustion air inlet piping and to have any conditions repaired, will result in serious injury, or death.

17.9. Check Boiler System

- Verify all system components are correctly installed and operating properly.
- Check the cold fill pressure for the system. Typical cold water fill pressure is 12 psig.
- Verify the system pressure, as the unit operates at high temperature, does not exceed 30 psig. Excessive pressure indicates expansion tank sizing is incorrect or system performance problems.
- Inspect air vent and air separators in the system. Ensure vents do not leak, replace any leaking vents.
- Verify boiler fluid pH level is between 6.0 and 8.0.
- Check and verify inhibitor /antifreeze concentration within the boiler water meets inhibitor/antifreeze manufacturer's specifications.
- If necessary contact a boiler water treatment company for a chemical analysis.

17.10. Check Expansion Tank

Refer to *Chapter 4 on page 15* for recommended location of the expansion tank and air eliminators.

Closed -Type Tank:

- Ensure tank is partially filled with water leaving an air gap as a cushion. Refer to the manufacturer's instruction for proper fill level.
- Ensure the tank is fitted with a device that reduces gravity circulation of air-saturated tank water back

into the system. This device prevents air from bubbling up through the water as it returns from the system.

- Ensure no automatic air vents are used in the system. This will allow air to escape from the system instead of returning to the tank.

Diaphragm Tank:

- Ensure the system contains a minimum of one automatic air vent. Recommended location of the air vent should be atop an air eliminator.
- Remove the tank from the system and check the charge pressure. For residential applications, the charge pressure is typically 12 psig. If tank does not hold pressure, then the membrane is damaged and the tank should be replaced.

17.11. Check Boiler Relief Valve

Inspect the relief valve and lift the lever to verify flow at least annually or as recommended on the warning tag of the valve.



Before manually operating the pressure relief valve, ensure the discharge piping is directed to a suitable place of disposal to avoid a potential scald hazard. The discharge piping must be full size without restriction and installed to permit complete drainage of both the valve and line. Failure to comply with this instruction can result in substantial property damage, serious injury, or death.

If after closing the valve, the valve fails to seat properly or continually weeps, replace the relief valve. Ensure the cause of the relief valve to weep is the valve itself, not due to system over-pressurization caused by an expansion tank that is waterlogged or undersized.

17.12. Inspection of Ignitor

- Remove the ignitor from the burner mounting plate.
- Remove any white oxides accumulated on the ignitor using fine grit sandpaper or steel wool. If the ignitor does not clean to a satisfactory condition, replace the ignitor.
- When installing the ignitor, ensure the gasket is in good condition and correctly positioned. Replace the gasket if necessary. Tighten ignitor screws in multiple steps, alternating between the screws to ensure proper alignment. See *Section 17.24 on page 87* for torque specifications.

17.13. Check Ignition Cable and Ground Wiring

- Inspect the ignition cable from the spark generator to the ignitor.
- Inspect the ground wire from the spark generator to the ignitor.
- Ensure wiring is in good condition and securely connected.
- Check ground continuity using a continuity meter.
- Replace ground wire if ground continuity is not satisfactory.

17.14. Check Control Wiring

Inspect all control wiring. Ensure wiring is in good condition and properly connected.

17.15. Check Control Settings

- Review all boiler settings in the Heating & DHW EZ Setup menus. Adjust settings as necessary, see *Section 9.7 on page 56 and Section 9.8 on page 58*
- Check any external limit control settings (if used). Adjust settings as necessary.

17.16. Perform Start-up and Checkout Procedures

- Start the unit and perform the start-up procedures as listed in *Chapter 11 on page 71*.
- Verify the cold water fill pressure is correct and the operating pressure of the boiler is within normal operating range.
- Complete the checkout procedures as outlined in *Chapter 14 on page 79*.

17.17. Check Burner Flame

- Inspect the flame pattern through the observation port of the heat exchanger.
- If flame pattern is not fully blue and covers the entire burner surface during high fire, shut the unit down and allow it to cool thoroughly before disassembly.
- Close the external manual gas valve on the gas supply line and disconnect the gas piping and gas valve wire harness connector.
- Disconnect the wiring harness connectors from the blower and remove the blower. Remove the blower from the unit.
- Remove the mounting nuts securing the burner plate to the heat exchanger and set aside. Also remove the two screws* securing the burner plate to the back panel at the rear and discard.

* These two screws are for transportation purposes only and can be discarded.

- Carefully remove the burner plate assembly from the heat exchanger by lifting the front of the burner plate initially then disengage the plate from rear studs. Ensure that the combustion chamber 2-in-1 insulation is not damaged during removal of burner mounting plate assembly.
- Remove the burner head mounting screws and remove the burner head. Inspect the burner head for deterioration. Use compressed air or a vacuum to clean the burner head.
- Remove the venturi and gas valve assembly from the blower.
- Use a vacuum cleaner or compressed air to clean the interior of the blower assembly. Inspect the blower blades to ensure they are clean and not damaged.
- Re-assemble the venturi and gas valve onto the blower. Ensure the venturi gasket or o-ring is in good condition and positioned correctly. Replace gasket or o-ring if necessary.
- Re-assemble the burner head onto the burner mounting plate. Ensure the burner head gasket is in good condition and positioned correctly. Replace gasket if necessary.
- Re-assemble the burner plate assembly onto the heat exchanger. Ensure the combustion chamber 2-in-1 insulation is in place and positioned correctly. Replace if necessary.
- Remove the blower gasket from the burner plate assembly and clean with fresh water. Reinstall blower gasket onto burner plate assembly with the check valve hinge at the top.
- Re-assemble the blower onto the burner plate and reconnect the wiring harness connectors.
- Re-assemble the gas supply connection and wire harness to the gas valve. Open the external manual gas valve. Check gas piping for any leaks as outlined in *Section 10.5 on page 70* and repair if necessary.
- Torque all screws, bolts, and nuts in accordance with specifications in *Section 17.24 on page 87*.
- Place the unit back into service.

17.18. Check Flame Signal

- The flame signal can be read from the Boiler Information screen. It should be a min. 2-3 μ A at low fire.
- Check the ignitor condition if flame signal is low.
- Check ground wire for continuity if flame signal is low. Replace ignitor if conditions are satisfactory.

CHAPTER 17 - MAINTENANCE PROCEDURES

17.19. Check Combustion Levels

Refer to *Section 11.3.4 on page 73* for measuring combustion levels and burner adjustments.

17.20. Check Flue Gas Temperature

- Manually place the boiler into high fire. See *Section 11.3.4 on page 73* for procedure.
- Navigate to the Boiler Information Menu to observe the flue gas temperature. See *Section 9.14 on page 61*.
- If the flue gas temperature is more than 54°F [30°C] above the supply water temperature, shut the boiler down and follow the heat exchanger cleaning procedure below.

17.21. Clean Heat Exchanger

Shut down the boiler:

- Follow the instructions on page 72 “To Turn Off Gas to Appliance”
- Do not drain the boiler unless the boiler will be subject to freezing conditions.
- Do not drain the boiler if antifreeze is used in the system.
- Allow the boiler to cool down to room temperature before servicing.
- Close the external manual gas valve on the gas supply line and disconnect the gas piping and gas valve wire harness connector.
- Disconnect the wiring harness connectors from the blower and remove the blower clamp. Remove the blower from the unit.
- Remove the mounting nuts securing the burner plate to the heat exchanger and set aside.
- Carefully remove the burner plate assembly from the heat exchanger. Ensure that the combustion chamber 2-in-1 insulation is not damaged during removal of burner mounting plate assembly.
- Use compressed air or water to remove any accumulation from the heat exchanger flue ways.
- Re-assemble the burner plate assembly onto the heat exchanger. Ensure the combustion chamber 2-in-1 insulation is in place and positioned correctly. Replace if necessary.
- Remove the blower gasket from the burner plate assembly and clean with fresh water. Reinstall blower gasket onto burner plate assembly with the check valve hinge at the top.

- Re-assemble the blower onto the burner plate and reconnect the wiring harness connectors.
- Reconnect the gas piping and wire harness to the gas valve. Open the external manual gas valve. Check gas piping for any leaks as outlined in *Section 10.5 on page 70* and repair if necessary.
- Torque all screws, bolts, and nuts in accordance with specifications in *Section 17.24 on page 87*.
- Close isolation valves on the boiler water piping to isolate the boiler from the heating system.
- Attach a hose to the boiler drain valve and flush the boiler thoroughly with fresh water by using the purge valves to allow water to enter through the make-up water line to the boiler.
- Once the boiler has been completely flushed, return the boiler back into operation.
- Perform the required startup and checkout procedures as outlined in *Chapter 10 on page 67* and *Chapter 14 on page 79*.

17.22. Check Carbon Monoxide Detectors

Verify that at least two (2) carbon monoxide detectors are installed and operating properly. One must be installed in the mechanical room where the EXALT is located and another installed in the living area outside the bedroom(s).

17.23. Review With Owner

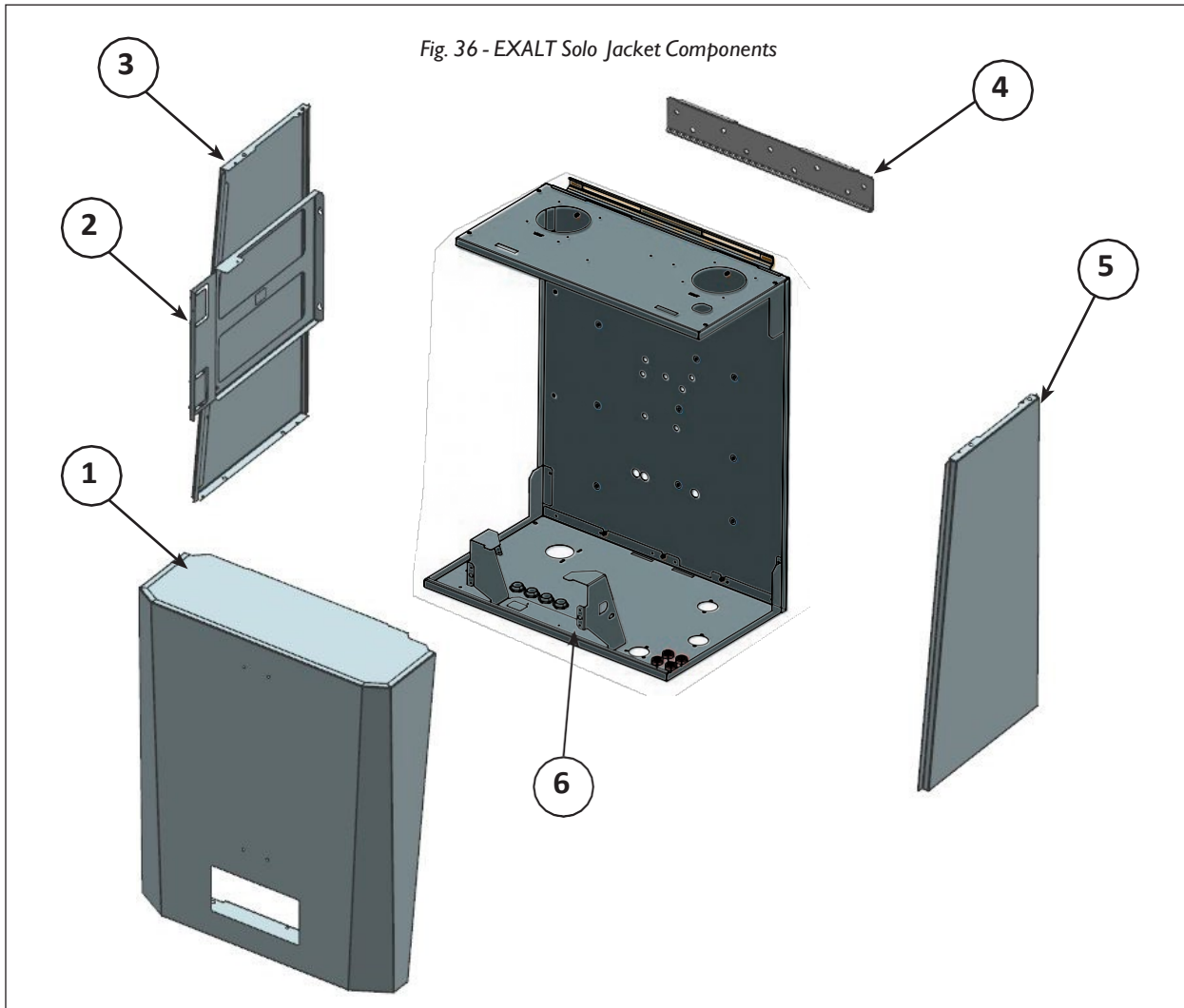
Ensure the owner understands the importance of performing the maintenance schedule specified in this manual.

17.24. Torque Specifications Table

| Item | Torque Req'd (in-lbs) | |
|-------------------|-----------------------|------|
| | Min. | Max. |
| Burner Plate Nuts | 44 | 53 |
| Burner Head Bolts | 26.5 | 31 |
| Blower Bolts | 62 | 71 |
| Gas Valve Screws | 31 | 35 |
| Venturi Screws | 31 | 35 |
| Ignitor Screws | 26.5 | 31 |
| Hydroblock screws | 2.2 | 3.7 |
| Water piping nuts | 31 | 35 |
| Gas pipe nuts | 12 | 15 |

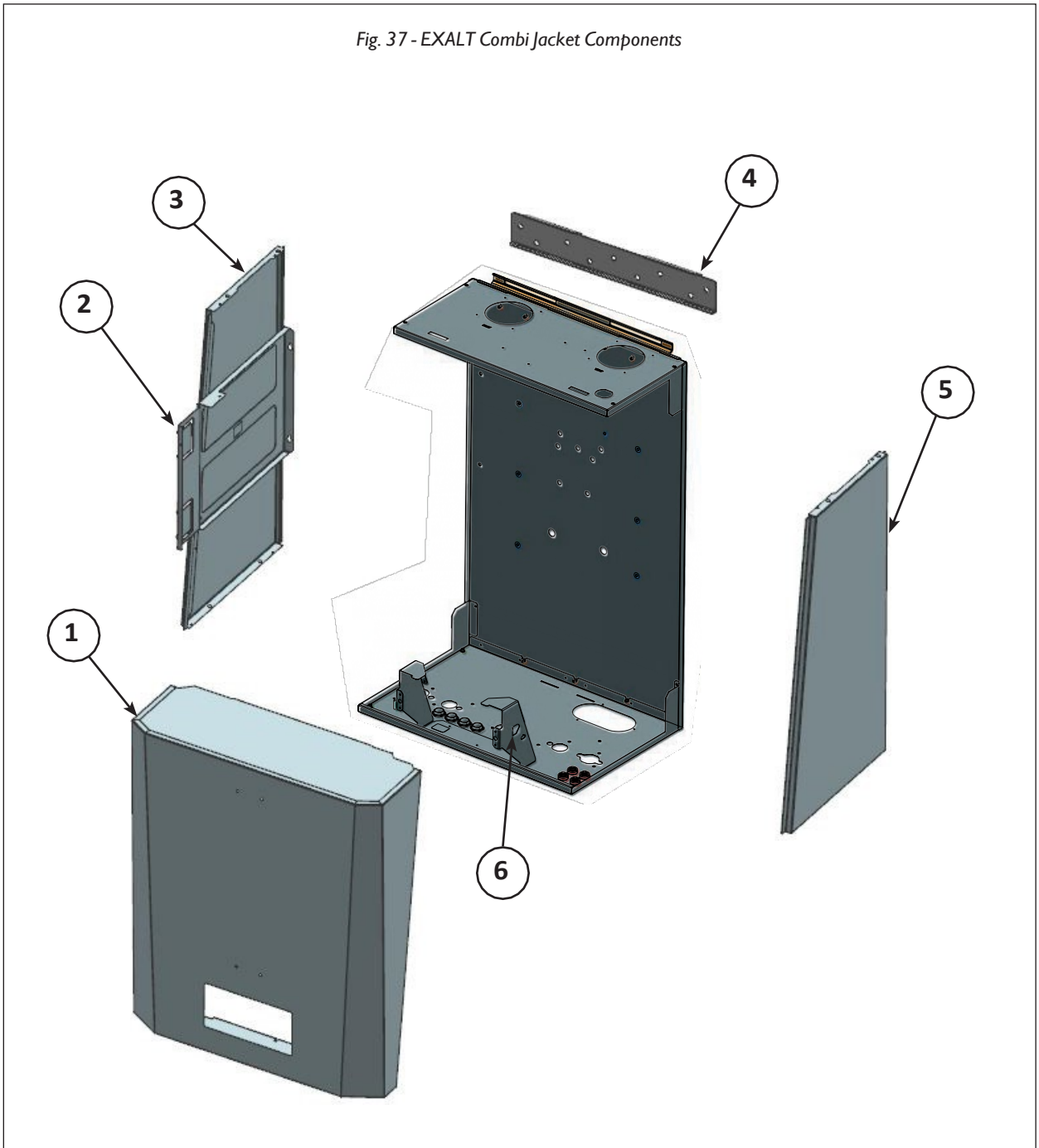
⚠ WARNING

- Replacement parts must be purchased through a local Ideal distributor. When ordering a part, please provide the model number and description and/or part number of replacement part.
- Use only genuine Ideal replacement parts to ensure warranty coverage and to avoid improper operation or damage to appliance.
- Contact Ideal at 800-411-9999 or www.idealusa.com for a list of distributors near you.



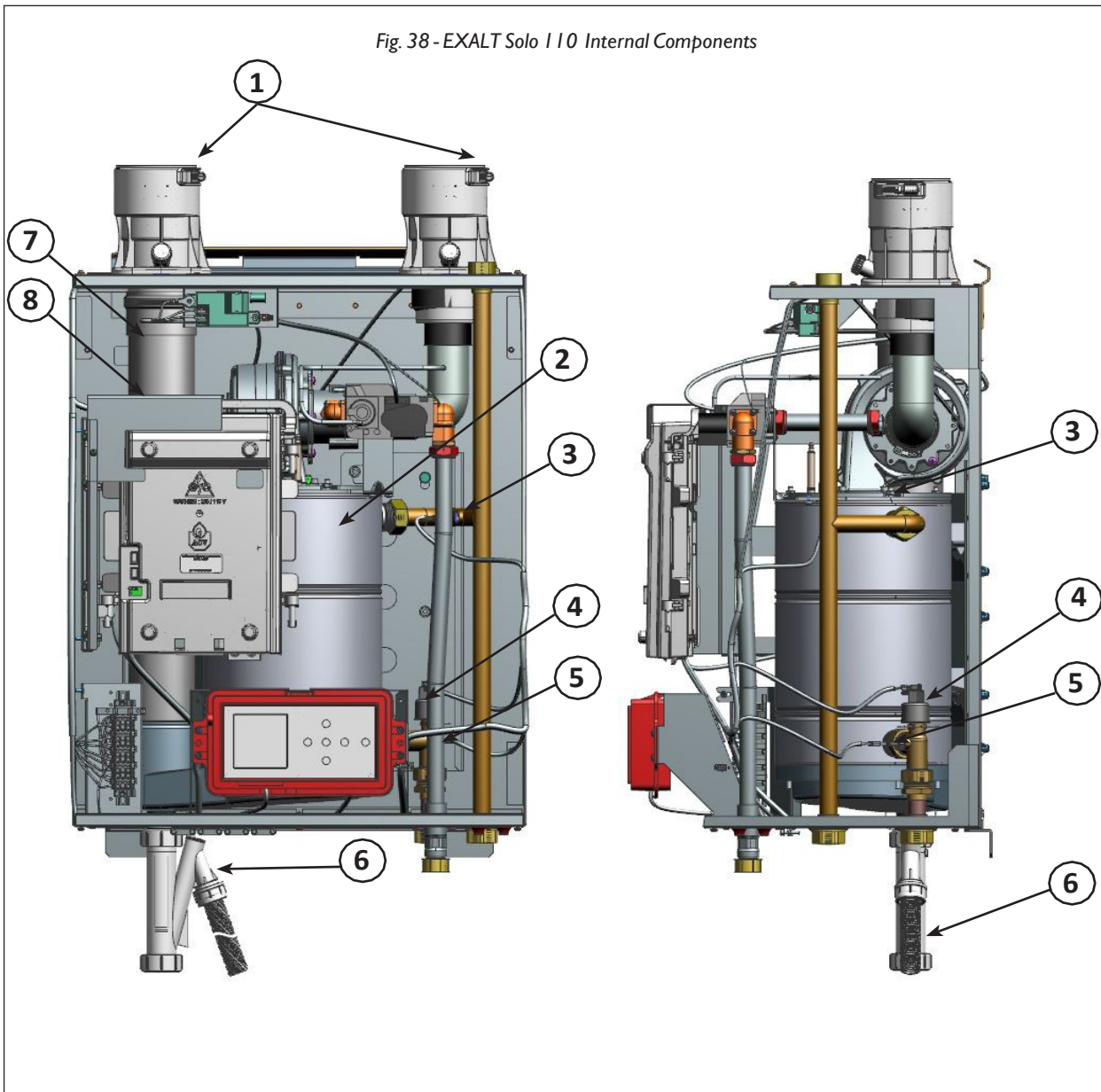
| Item | Part # | Description |
|------|----------|-------------------------------------|
| 1 | EXJKT01 | Front Jacket Panel |
| 2 | EXRKIT92 | Control Box Mounting Box |
| 3 | EXJKT02 | Left Side Jacket Panel |
| 4 | EXRKIT90 | Wall Mounting Bracket with Hardware |
| 5 | EXJKT03 | Right Side Jacket Panel |
| 6 | EXRKIT89 | User Interface Mounting Bracket |

Fig. 37 - EXALT Combi Jacket Components



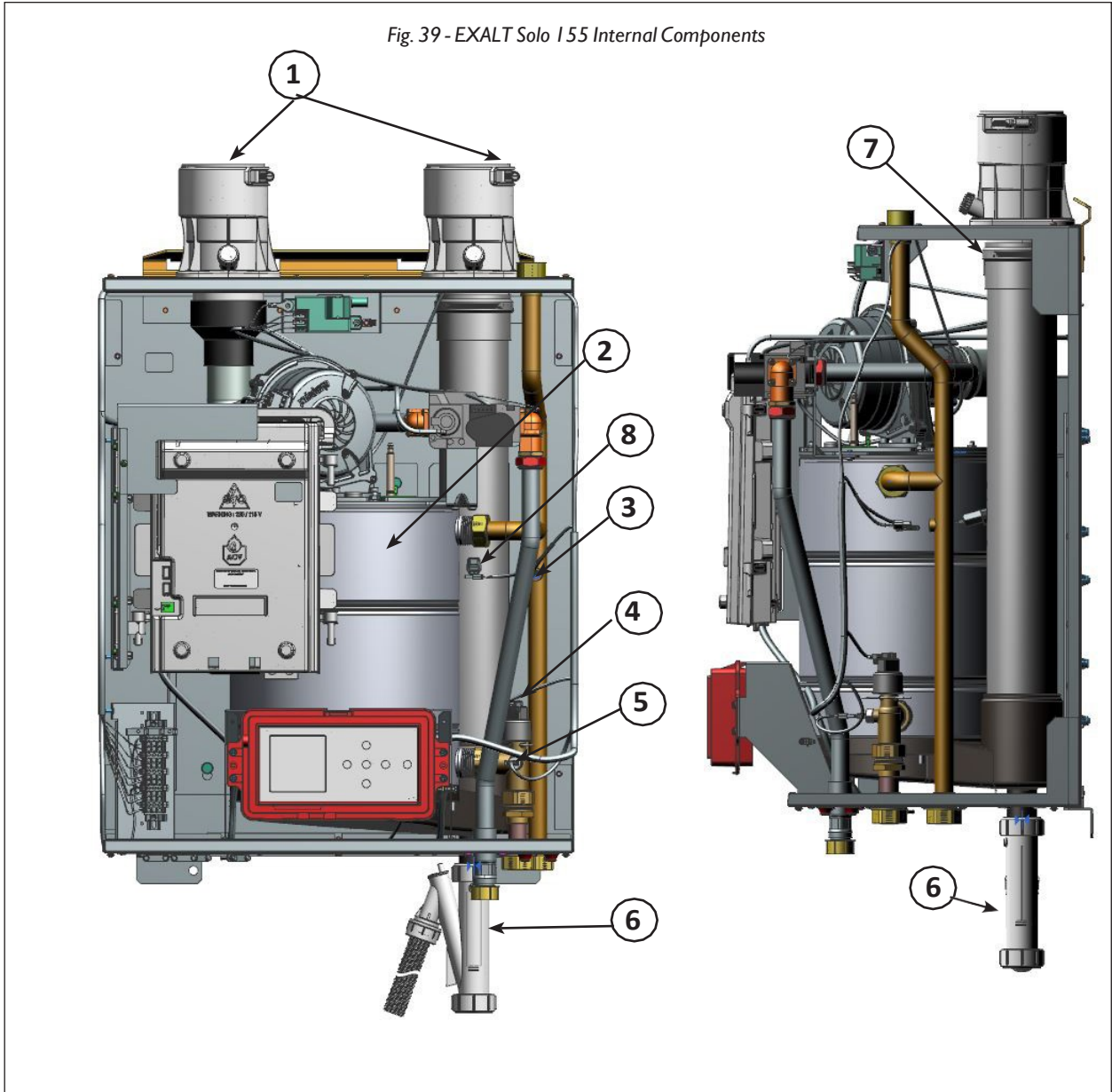
| Item | Part # | Description |
|------|----------|-------------------------------------|
| 1 | EXJKT04 | Front Jacket Panel |
| 2 | EXRKIT92 | Control Box Mounting Bracket |
| 3 | EXJKT05 | Left Side Jacket Panel |
| 4 | EXRKIT90 | Wall Mounting Bracket with Hardware |
| 5 | EXJKT06 | Right Side Jacket Panel |
| 6 | EXRKIT91 | User Interface Mounting Bracket |

Fig. 38 - EXALT Solo 110 Internal Components



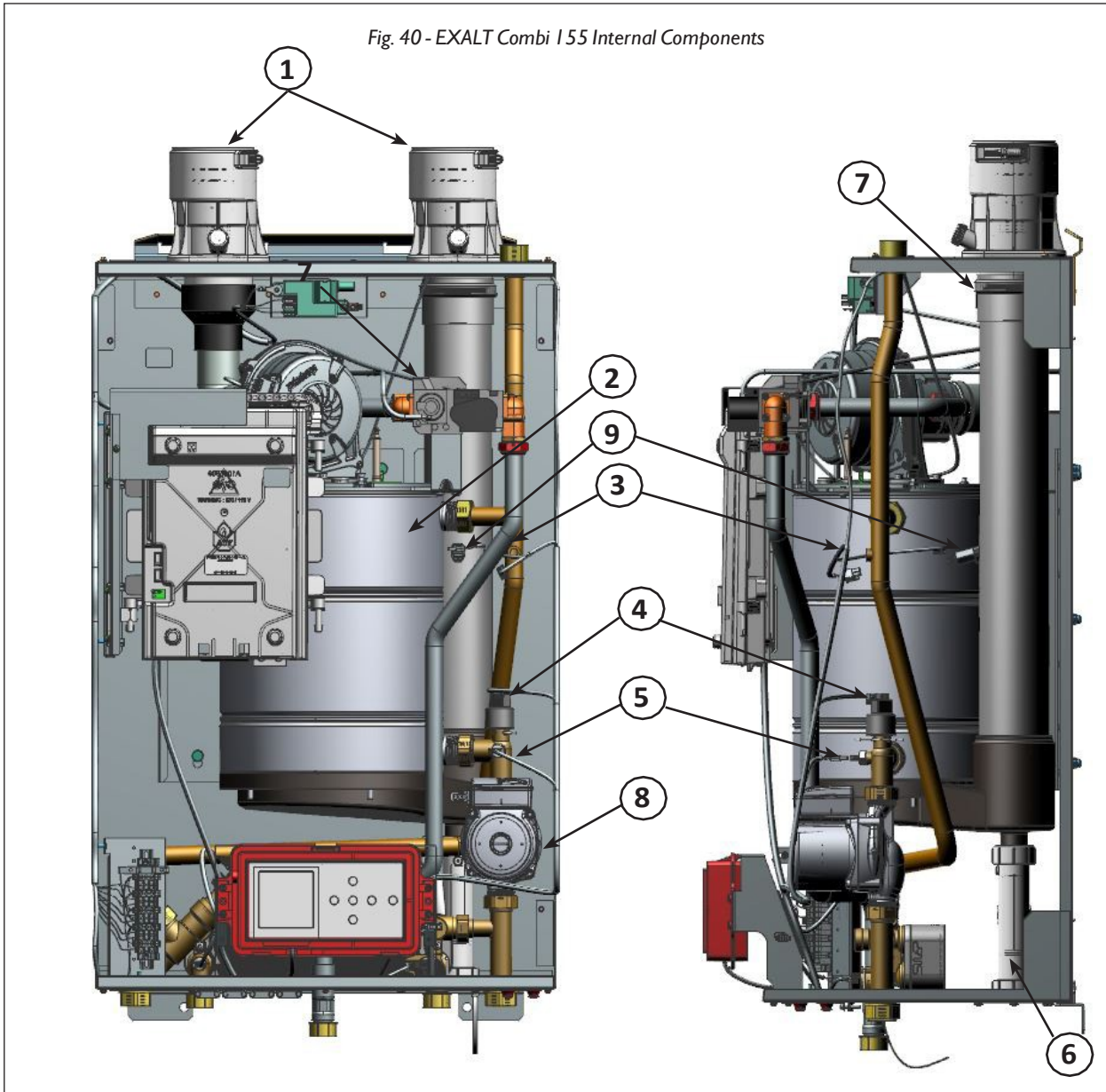
| Item | Part # | Description |
|------|----------|--|
| 1 | EXRKIT40 | Vent Outlet/Combustion Air Inlet Adapter |
| 2 | EXRKIT01 | Heat Exchanger Body (110) |
| 2 | EXRKIT03 | Heat Exchanger Body (199) |
| 3 | EXRKIT56 | CH Supply Temperature Sensor |
| 4 | EXRKIT59 | Low Water Cut Off |
| 5 | EXRKIT56 | CH Return Temperature Sensor |
| 6 | EXRKIT85 | Condensate Drain Assembly |
| 7 | EXRKIT41 | Flue Tube |
| 8 | EXRKIT57 | Flue Temperature Sensor |

Fig. 39 - EXALT Solo 155 Internal Components

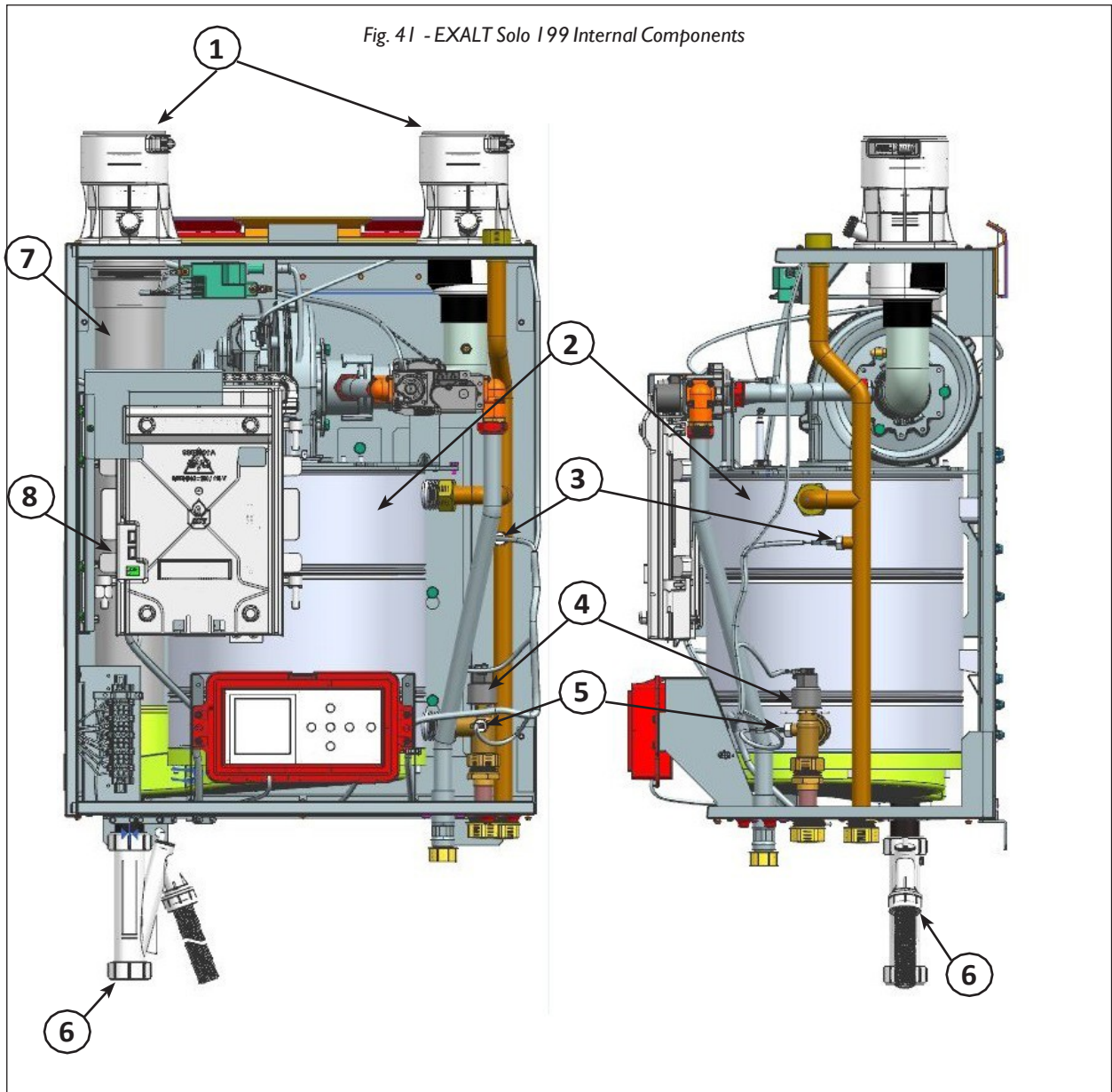


| Item | Part # | Description |
|------|----------|--|
| 1 | EXRKIT40 | Vent Outlet/Combustion Air Inlet Adapter |
| 2 | EXRKIT02 | Heat Exchanger Body |
| 3 | EXRKIT56 | CH Supply Temperature Sensor |
| 4 | EXRKIT59 | Low Water Cut Off |
| 5 | EXRKIT56 | CH Return Temperature Sensor |
| 6 | EXRKIT85 | Condensate Drain Assembly |
| 7 | EXRKIT41 | Flue Tube |
| 8 | EXRKIT57 | Flue Temperature Sensor |

Fig. 40 - EXALT Combi I 55 Internal Components

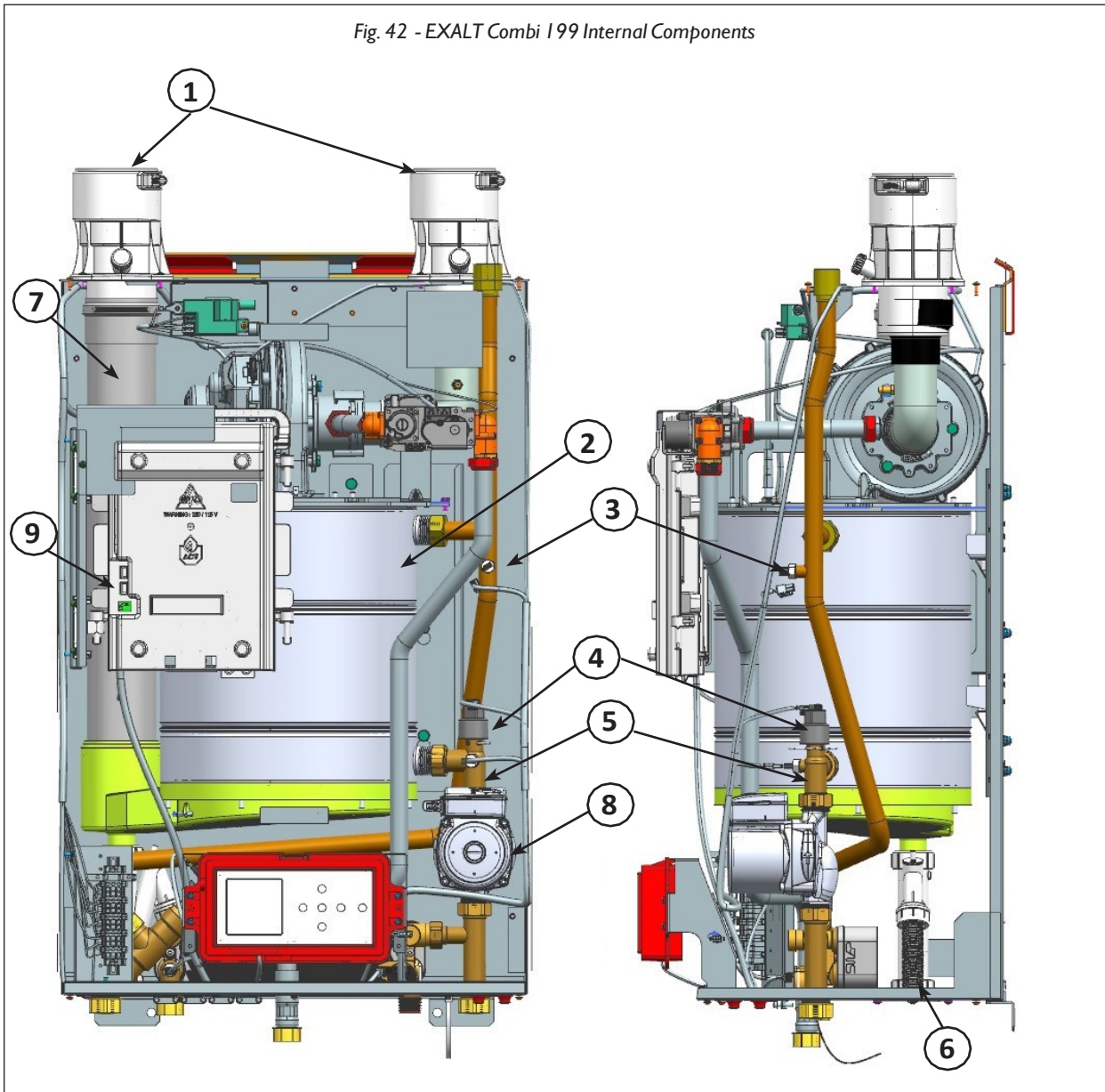


| Item | Part # | Description |
|------|----------|--|
| 1 | EXRKIT40 | Vent Outlet/Combustion Air Inlet Adapter |
| 2 | EXRKIT02 | Heat Exchanger Body |
| 3 | EXRKIT56 | CH Supply Temperature Sensor |
| 4 | EXRKIT59 | Low Water Cut Off |
| 5 | EXRKIT56 | CH Return Temperature Sensor |
| 6 | EXRKIT85 | Condensate Drain Assembly |
| 7 | EXRKIT41 | Flue Tube |
| 8 | EXRKIT21 | Circulator |
| 9 | EXRKIT57 | Flue Temperature Sensor |



| Item | Part # | Description |
|------|----------|--|
| 1 | EXRKIT40 | Vent Outlet/Combustion Air Inlet Adapter |
| 2 | EXRKIT03 | Heat Exchanger Body |
| 3 | EXRKIT56 | CH Supply Temperature Sensor |
| 4 | EXRKIT59 | Low Water Cut Off |
| 5 | EXRKIT56 | CH Return Temperature Sensor |
| 6 | EXRKIT85 | Condensate Drain Assembly |
| 7 | EXRKIT41 | Flue Tube |
| 8 | EXRKIT57 | Flue Temperature Sensor |

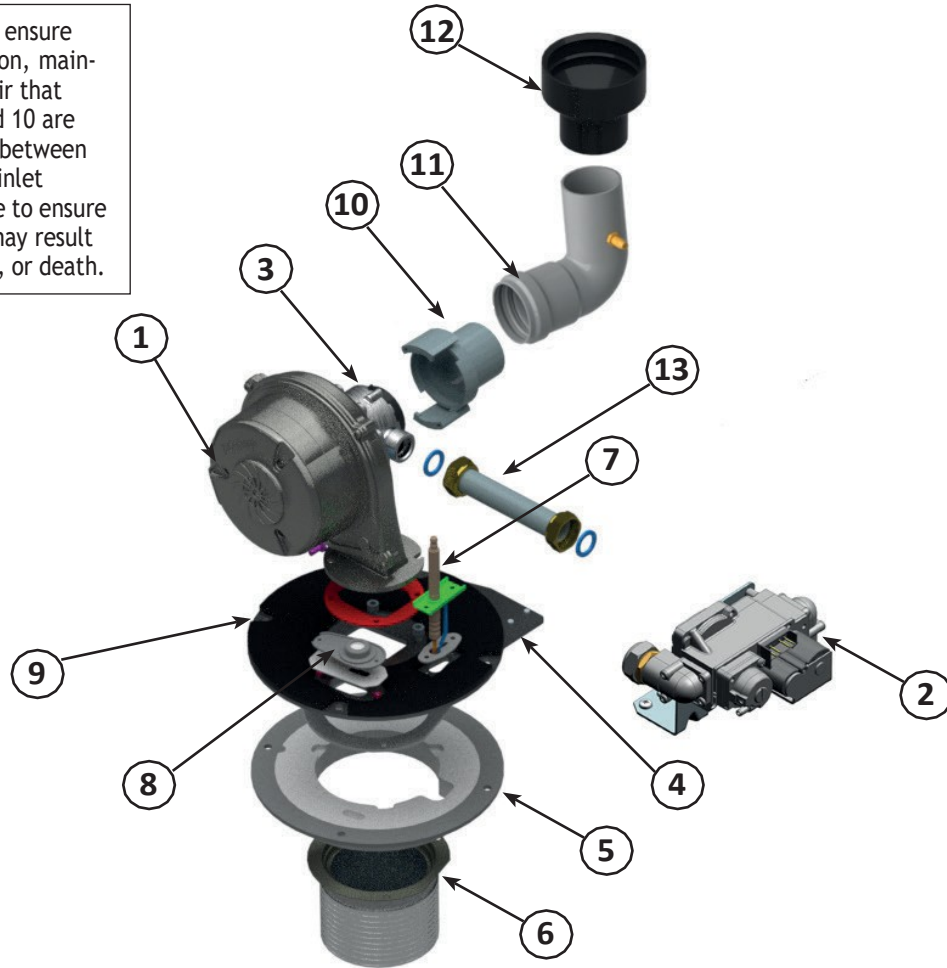
Fig. 42 - EXALT Combi 199 Internal Components



| Item | Part # | Description |
|------|----------|--|
| 1 | EXRKIT40 | Vent Outlet/Combustion Air Inlet Adapter |
| 2 | EXRKIT03 | Heat Exchanger Body |
| 3 | EXRKIT56 | CH Supply Temperature Sensor |
| 4 | EXRKIT59 | Low Water Cut Off |
| 5 | EXRKIT56 | CH Return Temperature Sensor |
| 6 | EXRKIT85 | Condensate Drain Assembly |
| 7 | EXRKIT41 | Flue Tube |
| 8 | EXRKIT21 | Circulator |
| 9 | EXRKIT57 | Flue Temperature Sensor |

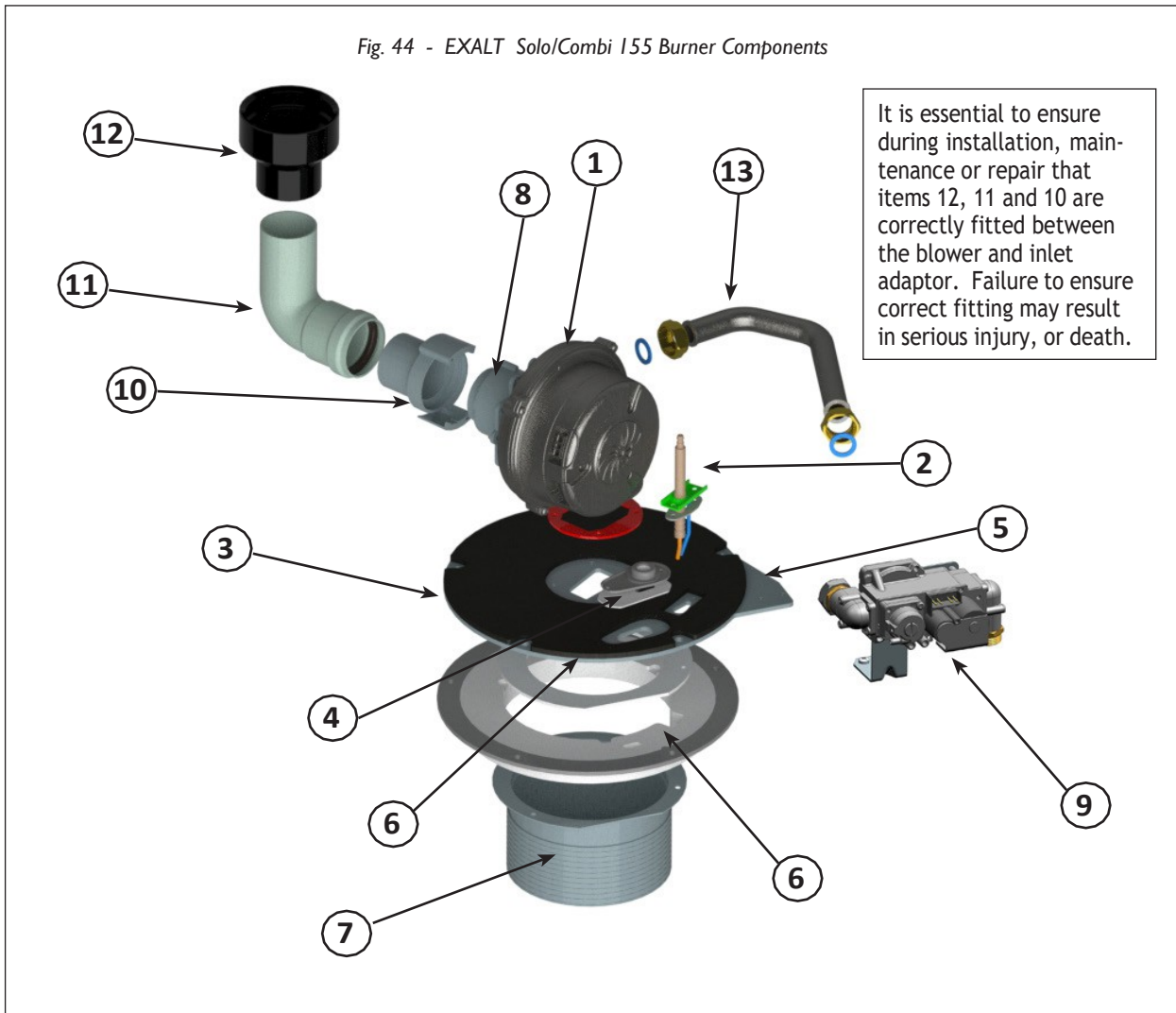
Fig. 43 - EXALT Solo 110 Burner Components

It is essential to ensure during installation, maintenance or repair that items 12, 11 and 10 are correctly fitted between the blower and inlet adaptor. Failure to ensure correct fitting may result in serious injury, or death.



| Item | Part # | Description |
|------|----------|--------------------------------------|
| 1 | EXRKIT04 | Blower Assembly |
| 2 | EXRKIT06 | Gas Valve |
| 3 | EXRKIT07 | NG - Venturi |
| 3 | EXRKIT08 | LP - Venturi |
| 4 | EXRKIT14 | Burner Plate |
| 5 | EXRKIT18 | Combustion Chamber 2-in-1 Insulation |
| 6 | EXRKIT24 | Burner Head Assembly |
| 7 | EXRKIT27 | Igniter Assembly |
| 8 | EXRKIT87 | Sight Glass Assembly |
| 9 | EXRKIT30 | Burner Plate Insulation |
| 10 | EXRKIT13 | Venturi Air Inlet |
| 11 | EXRKIT74 | Air Inlet Elbow |
| 12 | EXRKIT75 | Air Inlet Adapter |
| 13 | EXRKIT76 | Venturi Gas Inlet Pipe |

Fig. 44 - EXALT Solo/Combi I55 Burner Components

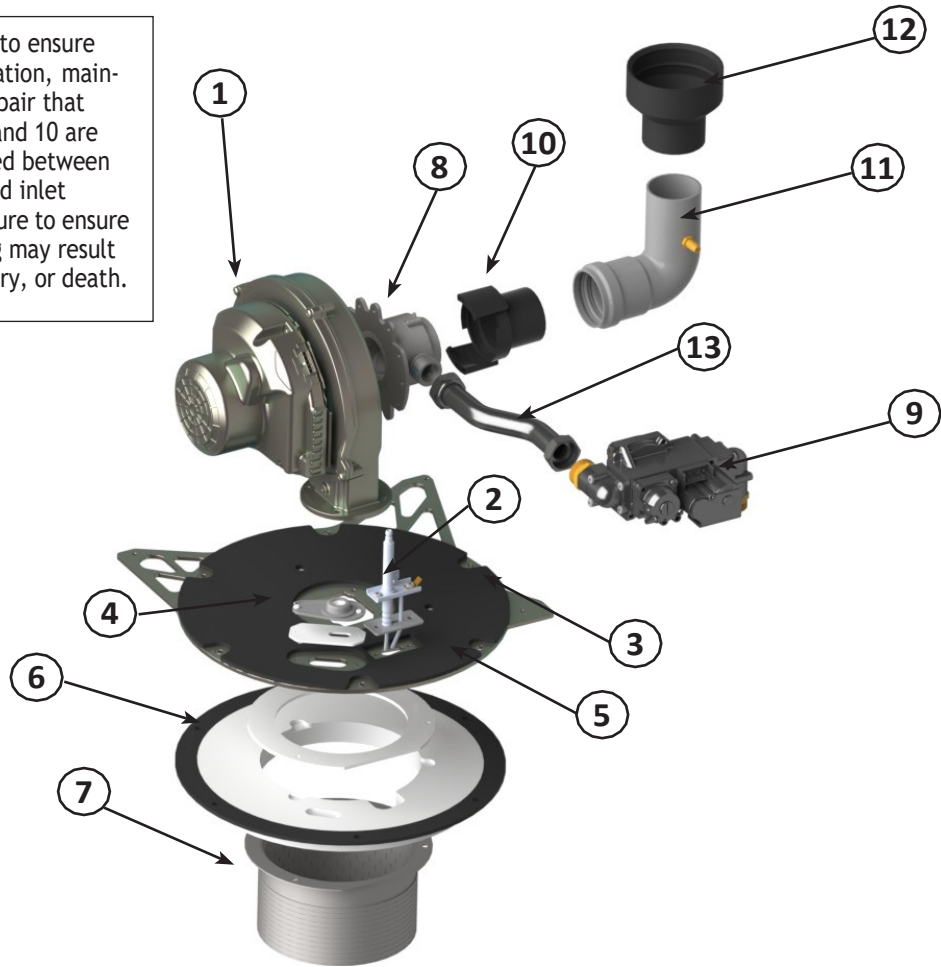


It is essential to ensure during installation, maintenance or repair that items 12, 11 and 10 are correctly fitted between the blower and inlet adaptor. Failure to ensure correct fitting may result in serious injury, or death.

| Item | Part # | Description |
|------|----------|--------------------------------------|
| 1 | EXRKIT04 | Blower Assembly |
| 2 | EXRKIT27 | Igniter Assembly |
| 3 | EXRKIT31 | Burner Plate Insulation |
| 4 | EXRKIT87 | Sight Glass Assembly |
| 5 | EXRKIT15 | Burner Plate |
| 6 | EXRKIT19 | Combustion Chamber 2-in-1 Insulation |
| 7 | EXRKIT25 | Burner Head Assembly |
| 8 | EXRKIT09 | NG Venturi |
| 8 | EXRKIT10 | LP Venturi |
| 9 | EXRKIT06 | Gas Valve |
| 10 | EXRKIT13 | Venturi Air Inlet |
| 11 | EXRKIT74 | Air Inlet Elbow |
| 12 | EXRKIT75 | Air Inlet Adapter |
| 13 | EXRKIT77 | Venturi Gas Inlet Pipe |

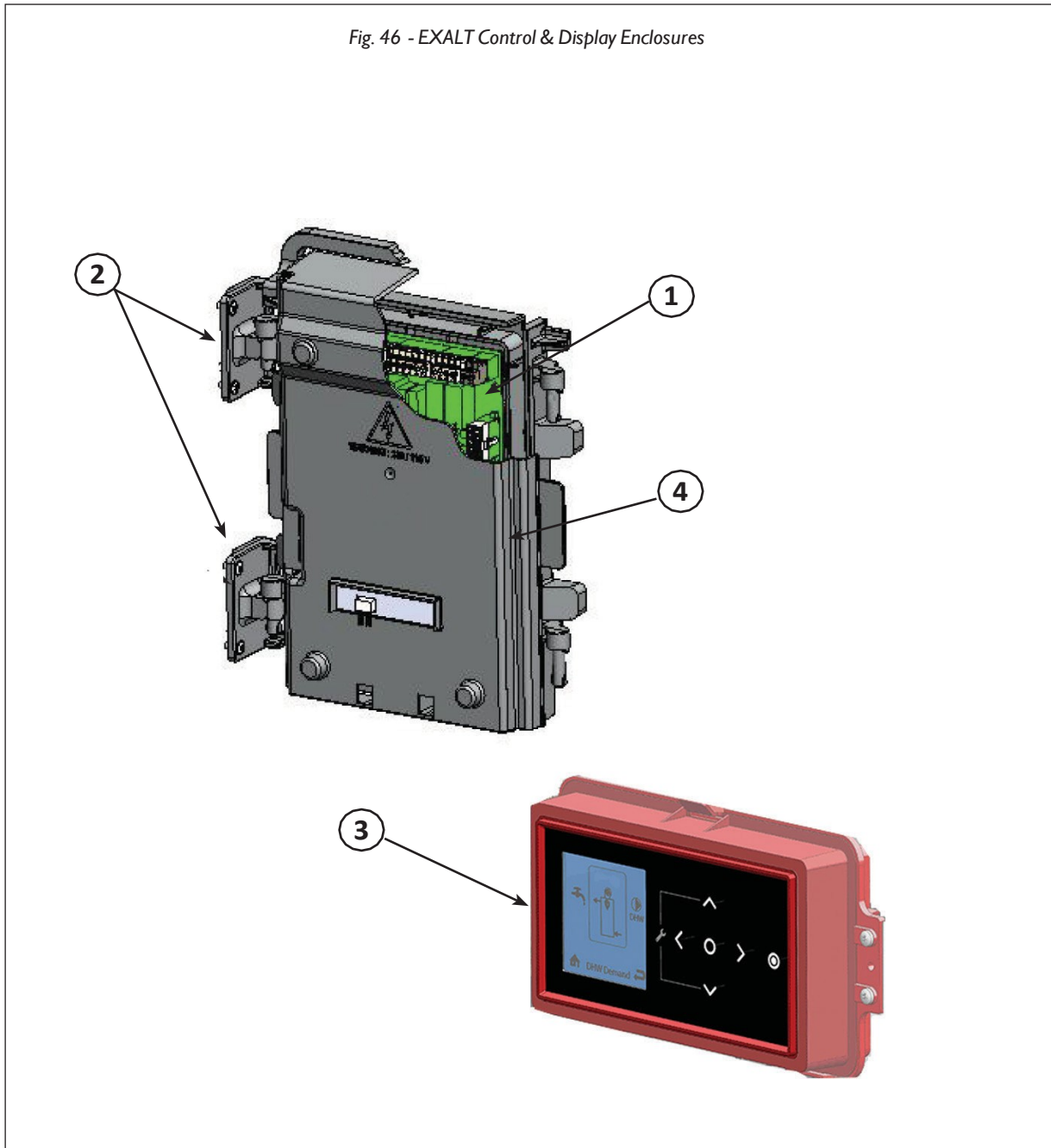
Fig. 45 - EXALT Combi 199 Burner Components

It is essential to ensure during installation, maintenance or repair that items 12, 11 and 10 are correctly fitted between the blower and inlet adaptor. Failure to ensure correct fitting may result in serious injury, or death.



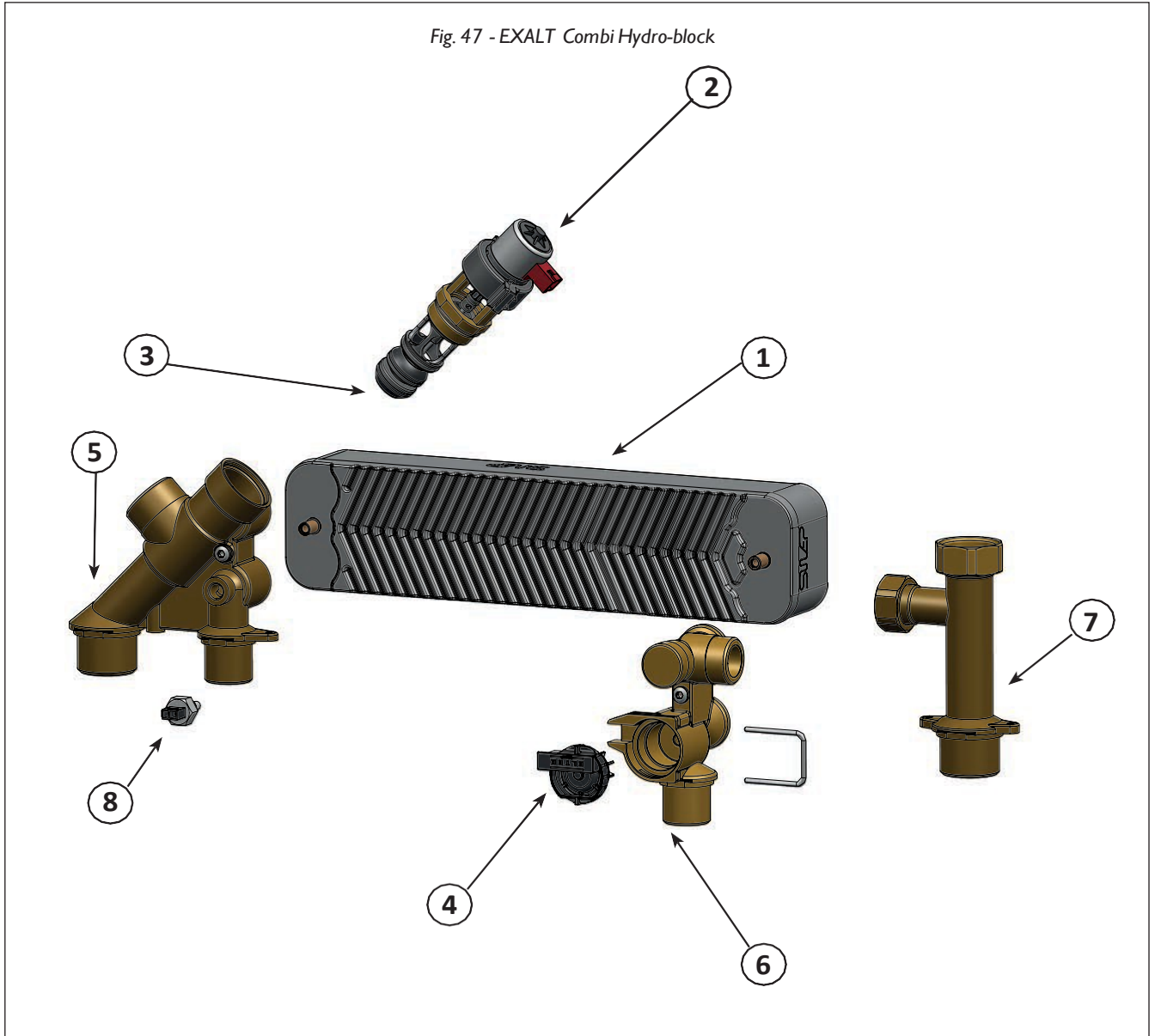
| Item | Part # | Description |
|------|----------|----------------------------------|
| 1 | EXRKIT05 | Blower Assembly |
| 2 | EXRKIT27 | Ignitor Assembly |
| 3 | EXRKIT32 | Burner Plate Insulation |
| 4 | EXRKIT87 | Sight Glass Assembly |
| 5 | EXRKIT16 | Burner Plate |
| 6 | EXRKIT20 | Combustion two in one Insulation |
| 7 | EXRKIT25 | Burner Head Assembly |
| 8 | EXRKIT11 | Venturi (NG) |
| 8 | EXRKIT12 | Venturi (LP) |
| 9 | EXRKIT06 | Gas Valve |
| 10 | EXRKIT13 | Venturi Air Inlet |
| 11 | EXRKIT74 | Air Inlet Elbow |
| 12 | EXRKIT75 | Air Inlet Adaptor |
| 13 | EXRKIT78 | Venturi Gas Valve Inlet Pipe |

Fig. 46 - EXALT Control & Display Enclosures



| Item | Part # | Description |
|------|----------|--------------------|
| 1 | EXRKIT52 | Control Module |
| 2 | EXRKIT86 | Control Box Hinges |
| 3 | EXRKIT53 | Display Module |
| 4 | EXRKIT55 | Control Enclosure |

Fig. 47 - EXALT Combi Hydro-block



| Item | Part # | Description |
|------|----------|-----------------------------------|
| 1 | EXRKIT60 | Hydroblock |
| 2 | EXRKIT61 | Valve Motor |
| 3 | EXRKIT62 | 3 Way Valve |
| 4 | EXRKIT58 | Flow Sensor |
| 5 | EXRKIT69 | Combi supply fittings (CH & DHW) |
| 6 | EXRKIT71 | Combi DWH inlet fitting |
| 7 | EXRKIT72 | Combi CH return |
| 8 | EXRKIT56 | Domestic Water Temperature Sensor |

INTENTIONALLY LEFT BLANK

CHAPTER 19 - PRODUCT SPECIFICATIONS

| Boiler Model | Fuel | Input (Btu/h) | DOE Heating Capacity (Btu/h) | Net AHRI Rating (Btu/h) | AFUE | Unpackaged Weight Lbs (Kg) | Shipping Weight Lbs (Kg) |
|-----------------|--------------------|---------------------|------------------------------|-------------------------|------|----------------------------|--------------------------|
| EXALT 110 Solo | Natural Propane | 13,750 – 110,000 | 102,000 | 89,000 | 95% | 85 (38.5) | 102 (46) |
| EXALT 155 Solo | Natural Propane | 19,375 – 155,000 | 143,000 | 124,000 | 95% | 98 (44.5) | 116 (52) |
| EXALT 199 Solo | Natural Propane | 24,875 – 199,000 | 185,000 | 161,000 | 95% | 108 (49) | 126 (56.5) |
| EXALT 155 combi | Natural Propane | 19,375 – 155,000 | 143,000 | 124,000 | 95% | 121 (55) | 134 (63) |
| EXALT 199 combi | Natural Propane | 24,875 – 199,000 | 185,000 | 161,000 | 95% | 132 (60) | 150 (68) |

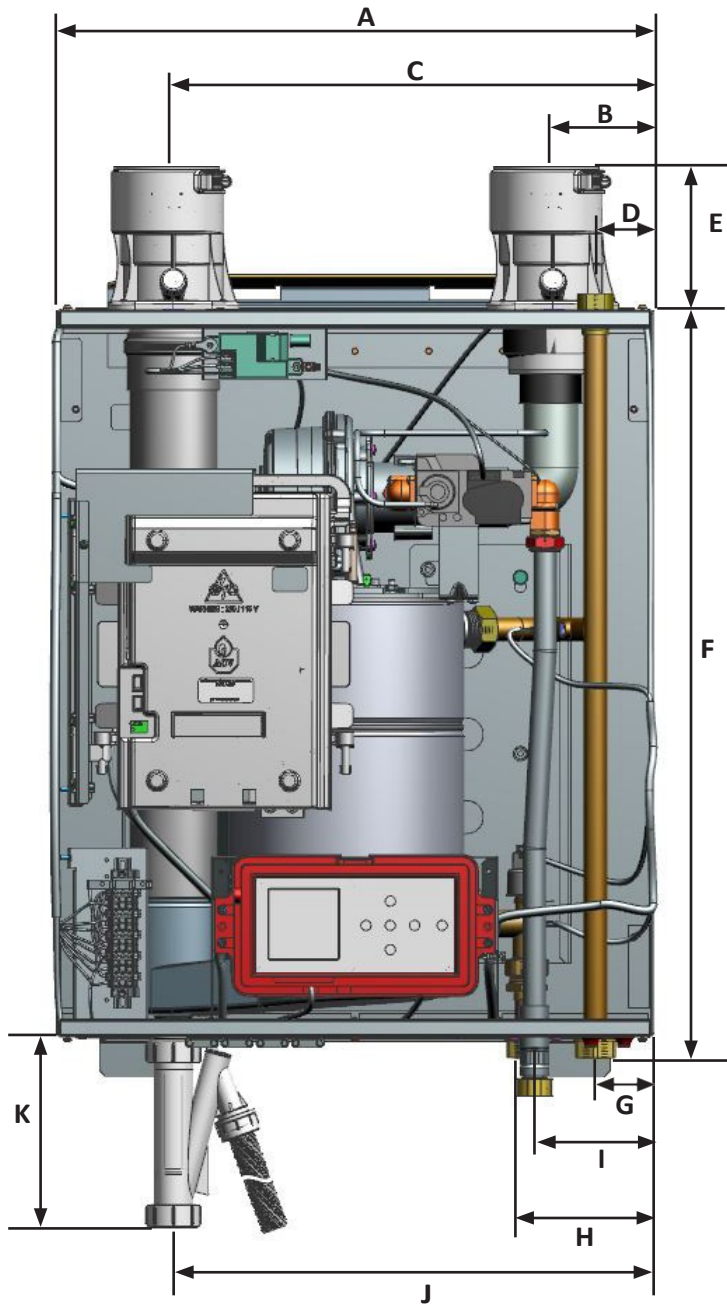
| Combi Water Heater Performance | | |
|--------------------------------|-----------|-----------|
| | 155 Combi | 199 Combi |
| DHW Output GPM (70°F Rise) | 4.0 | 5.3 |
| DHW Output GPM (75°F Rise) | 3.7 | 4.9 |
| DHW Output GPM (80°F Rise) | 3.5 | 4.6 |
| DHW Minimum Flow Rate (GPM) | 0.5 | 0.5 |

NOTICE

- The heating capacity of the EXALT Solo 110/155/199 and EXALT Combi 155/199 is based on the test requirements of the U.S. Department of Energy.
- The AHRI rating is based on a piping and pick up allowance of 1.15. This allowance should be sufficient for standard radiation requirements.
- Based on the given AFUE the EXALT Solo 110/155/199 and EXALT Combi 155/199 meet the energy efficiency guidelines established by Energy Star.
- Input and output ratings are shown for sea level applications. The EXALT features altitude compensation, altitude of the boiler installation must be inputted via the EXALT menu. Failure in selecting the correct altitude may compromise boiler ignition performance and will derate the boiler by 1.7% per 1000ft above sea level.



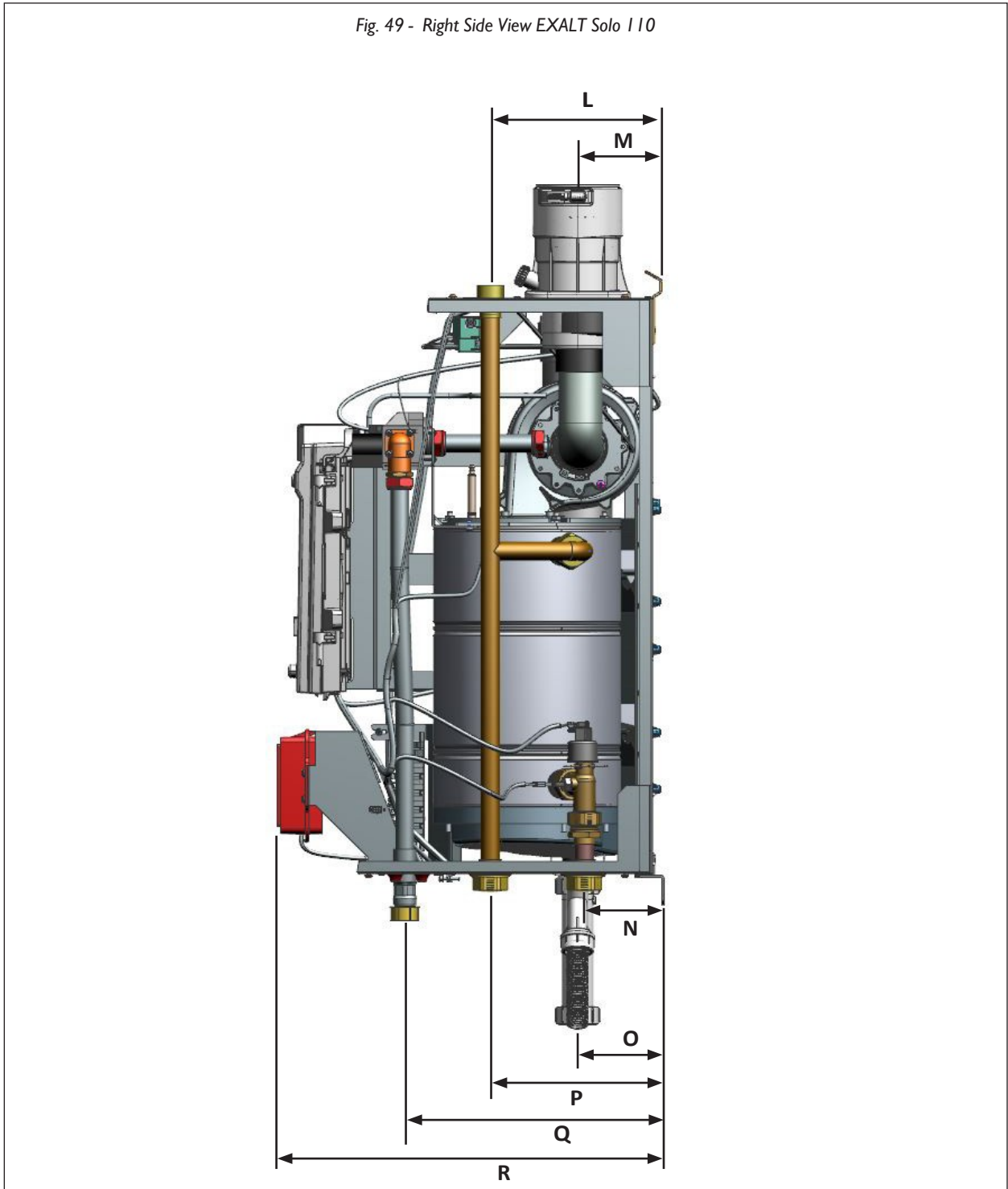
Fig. 48 - Front View EXALT Solo 110



| | A | B | C | D | E | F | G | H | I | J | K |
|-----------------------|--------------|--------------------------|----------------|------------------------|--|---------------|----------------------|----------------------|---------------------|-------------------|--------------------|
| Item | Boiler Width | 3" Com-bustion Air Inlet | 3" Vent Outlet | 3/4" NSPC Relief Valve | Vent\Com-bustion Air Connection Height | Boiler Height | 1" NPT Boiler Supply | 1" NPT Boiler Return | 3/4" Gas Connection | Conden-sate Drain | Conden-sate Height |
| Dimension inches [mm] | 21 5/8 [550] | 3 7/8 [100] | 17 1/2 [445] | 2 1/4 [57] | 5 1/8 [130] | 26 [660] | 2 1/4 [57] | 4 3/4 [120] | 4 3/8 [110] | 17 1/4 [440] | 6 3/4 [171] |

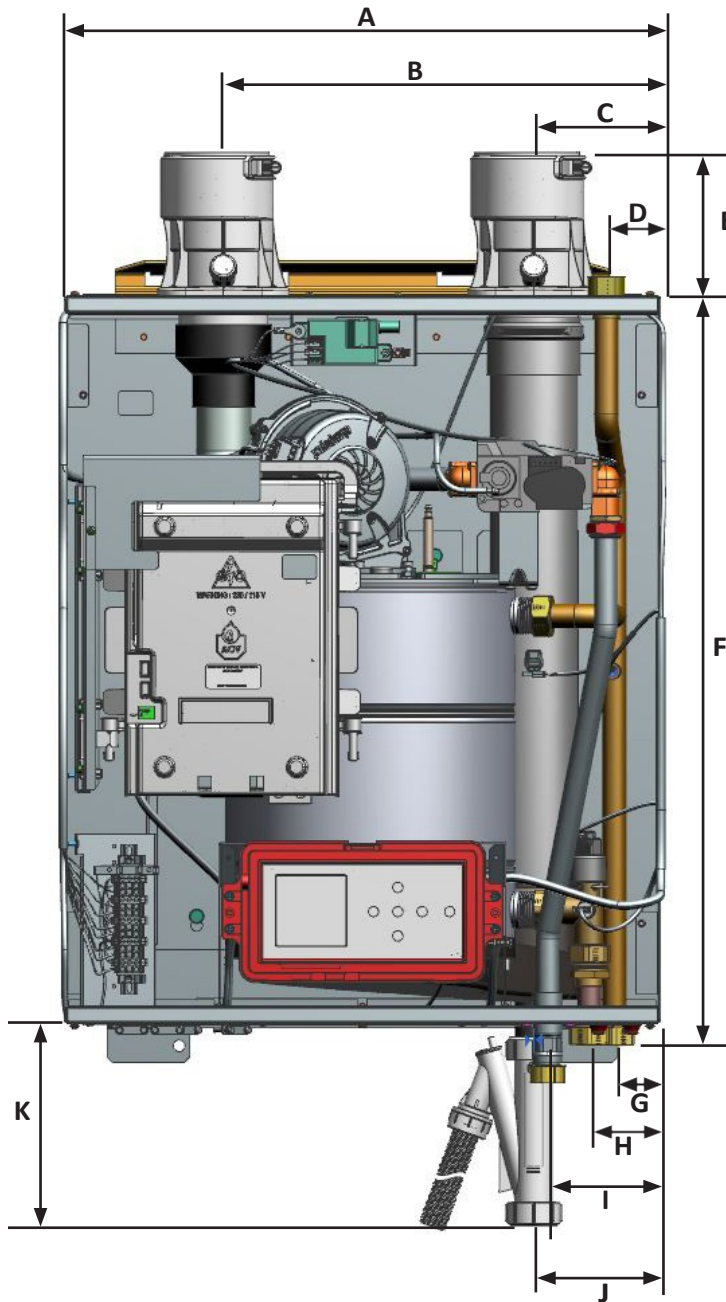
CHAPTER 19 - PRODUCT SPECIFICATIONS

Fig. 49 - Right Side View EXALT Solo 110



| | L | M | N | O | P | Q | R |
|-----------------------|------------------------|--|----------------------|------------------|----------------------|---------------------|--------------|
| Items | 3/4" NPSC Relief Valve | 3" Combustion Air Inlet & 3" Vent Outlet | 1" NPT Boiler Return | Condensate Drain | 1" NPT Boiler Supply | 3/4" Gas Connection | Boiler Depth |
| Dimension inches [mm] | 7 3/4 [195] | 3 7/8 [100] | 3 9/16 [90] | 3 7/8 [100] | 7 11/16 [195] | 11 1/2 [295] | 17 1/8 [435] |

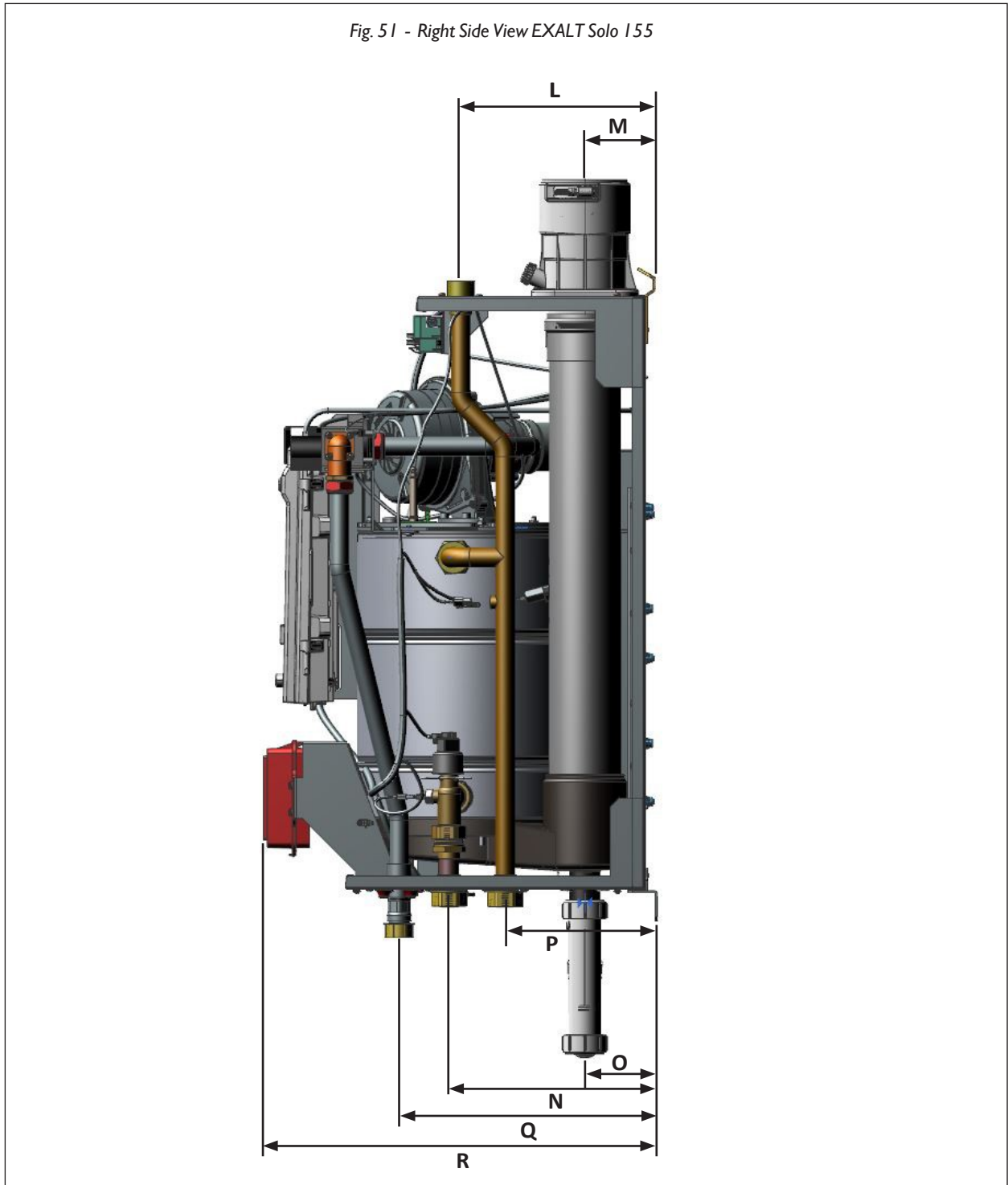
Fig. 50 - Front View EXALT Solo 155



| | A | B | C | D | E | F | G | H | I | J | K |
|-----------------------|--------------|-------------------------|----------------|------------------------|---------------------------------------|---------------|----------------------|----------------------|---------------------|------------------|-------------------|
| Item | Boiler Width | 3" Combustion Air Inlet | 3" Vent Outlet | 3/4" NSPC Relief Valve | Vent/Combustion Air Connection Height | Boiler Height | 1" NPT Boiler Supply | 1" NPT Boiler Return | 3/4" Gas Connection | Condensate Drain | Condensate Height |
| Dimension inches [mm] | 21 5/8 [550] | 15 3/4 [400] | 4 3/4 [120] | 2 1/8 [55] | 5 1/8 [130] | 26 [660] | 1 7/8 [48] | 2 3/4 [70] | 4 3/8 [110] | 4 3/4 [120] | 6 3/4 [171] |

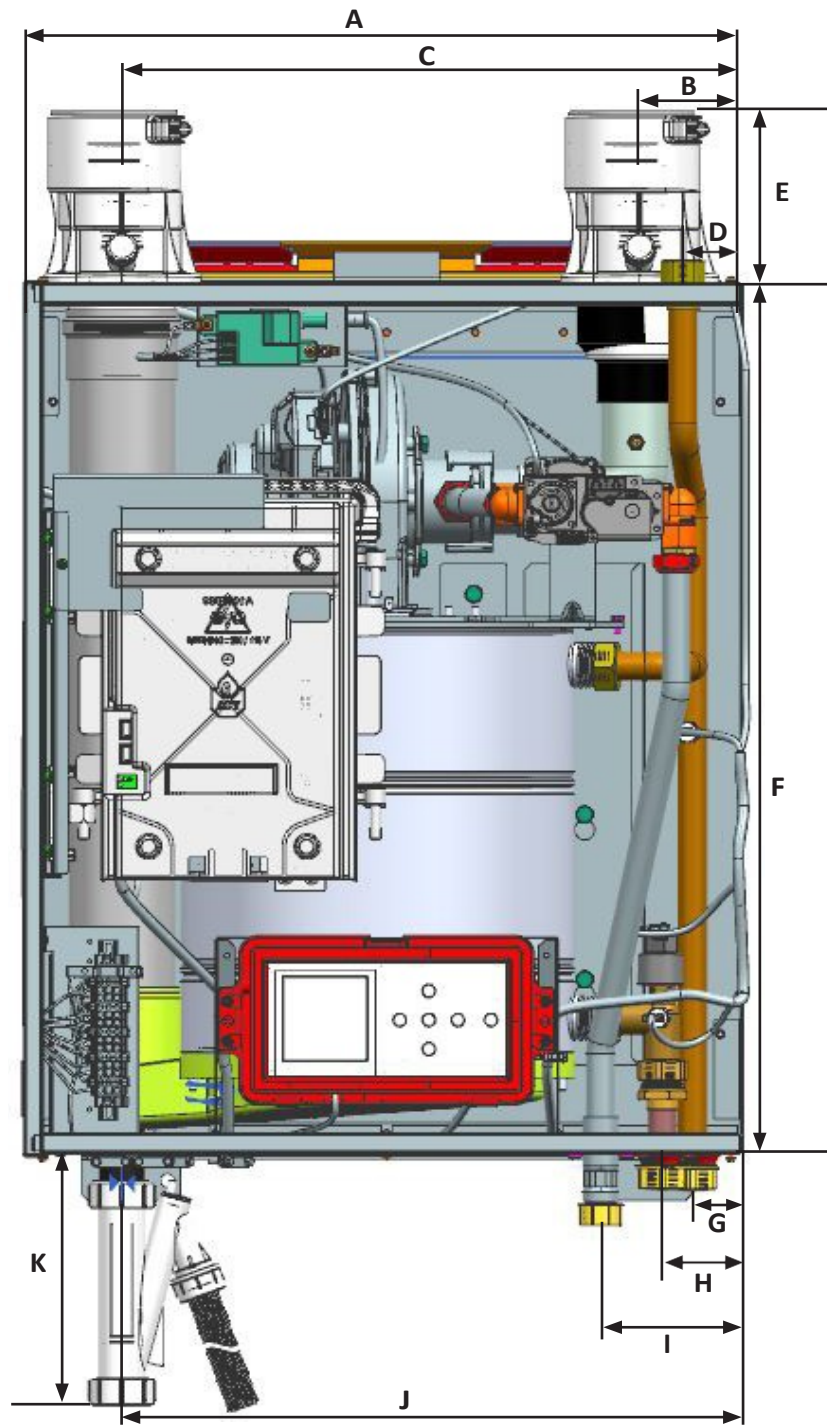
CHAPTER 19 - PRODUCT SPECIFICATIONS

Fig. 51 - Right Side View EXALT Solo 155



| | L | M | N | O | P | Q | R |
|-----------------------|------------------------|--|----------------------|------------------|----------------------|-------------------------|--------------|
| Items | 3/4" NPSC Relief Valve | 3" Combustion Air Inlet & 3" Vent Outlet | 1" NPT Boiler Return | Condensate Drain | 1" NPT Boiler Supply | 3/4" NPT Gas Connection | Boiler Depth |
| Dimension inches [mm] | 8 5/8 [220] | 3 1/8 [80] | 9 1/8 [230] | 3 1/8 [80] | 6 1/2 [165] | 11 1/4 [285] | 17 1/8 [435] |

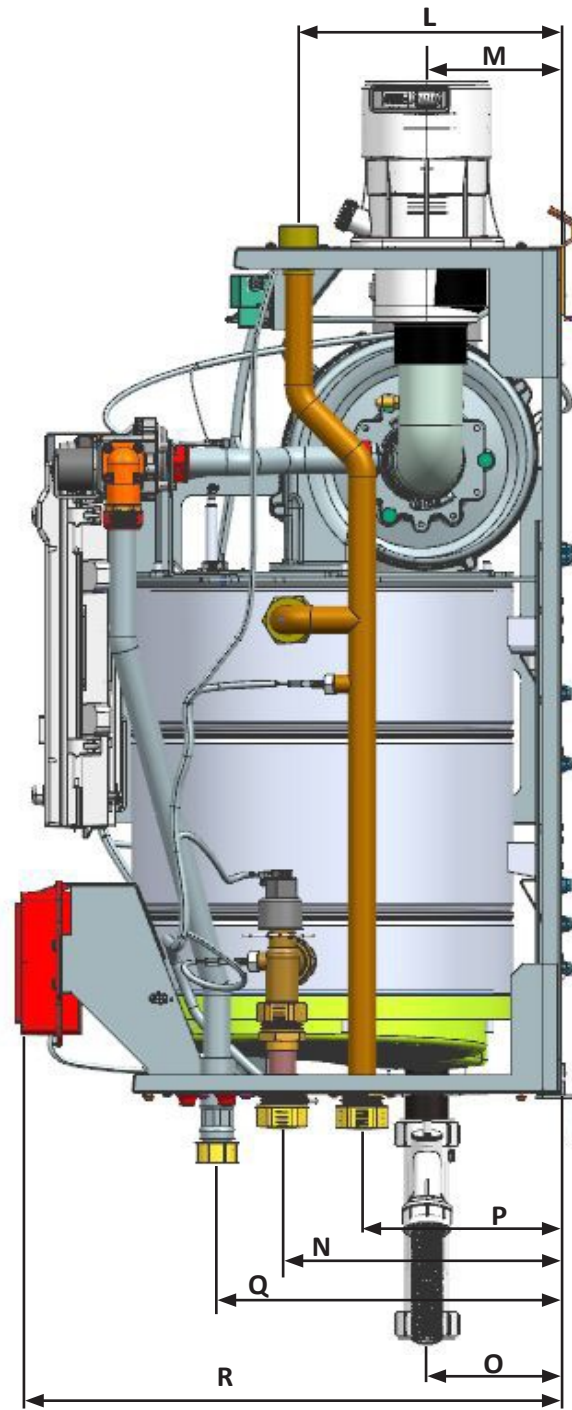
Fig. 52 - Front View EXALT Solo 199



| | A | B | C | D | E | F | G | H | I | J | K |
|-----------------------------|-----------------|-------------------------|-----------------|------------------------|------------------------------------|---------------|----------------------|----------------------|-------------------------|------------------|-------------------|
| Connection | Boiler Width | 3" Combustion Air Inlet | 3" Vent Outlet | 3/4" NPSC Relief Valve | Vent/Combustion Air Adapter Height | Boiler Height | 1" NPT Boiler Supply | 1" NPT Boiler Return | 3/4" NPT Gas Connection | Condensate Drain | Condensate Height |
| Dimension inches [mm] | 21 5/8 [550] | 3 3/8 [85] | 18 5/8 [475] | 2 15/16 [50] | 5 1/8 [130] | 26 [660] | 1 7/8 [48] | 2 5/8 [65] | 4 3/8 [110] | 18 3/4 [475] | 6 3/4 [171] |

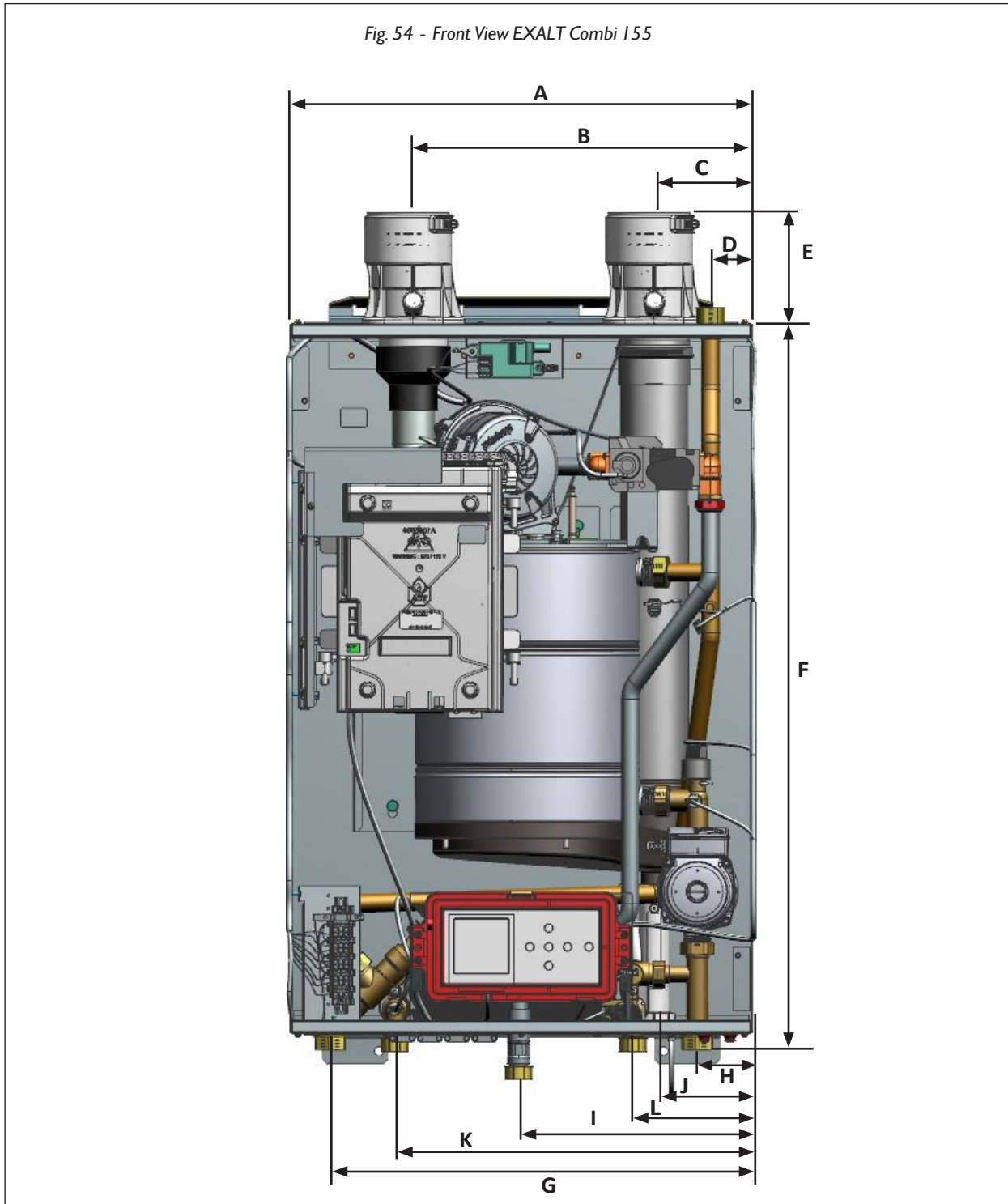
CHAPTER 19 - PRODUCT SPECIFICATIONS

Fig. 53 - Right Side View EXALT Solo 199



| | L | M | N | O | P | Q | R |
|-----------------------|------------------------|--|----------------------|------------------|----------------------|-------------------------|--------------|
| Items | 3/4" NPSC Relief Valve | 3" Combustion Air Inlet & 3" Vent Outlet | 1" NPT Boiler Return | Condensate Drain | 1" NPT Boiler Supply | 3/4" NPT Gas Connection | Boiler Depth |
| Dimension inches [mm] | 8 5/8 [220] | 4 5/8 [117] | 9 1/8 [230] | 4 5/8 [117] | 6 3/4 [170] | 11 1/8 [262] | 17 1/8 [435] |

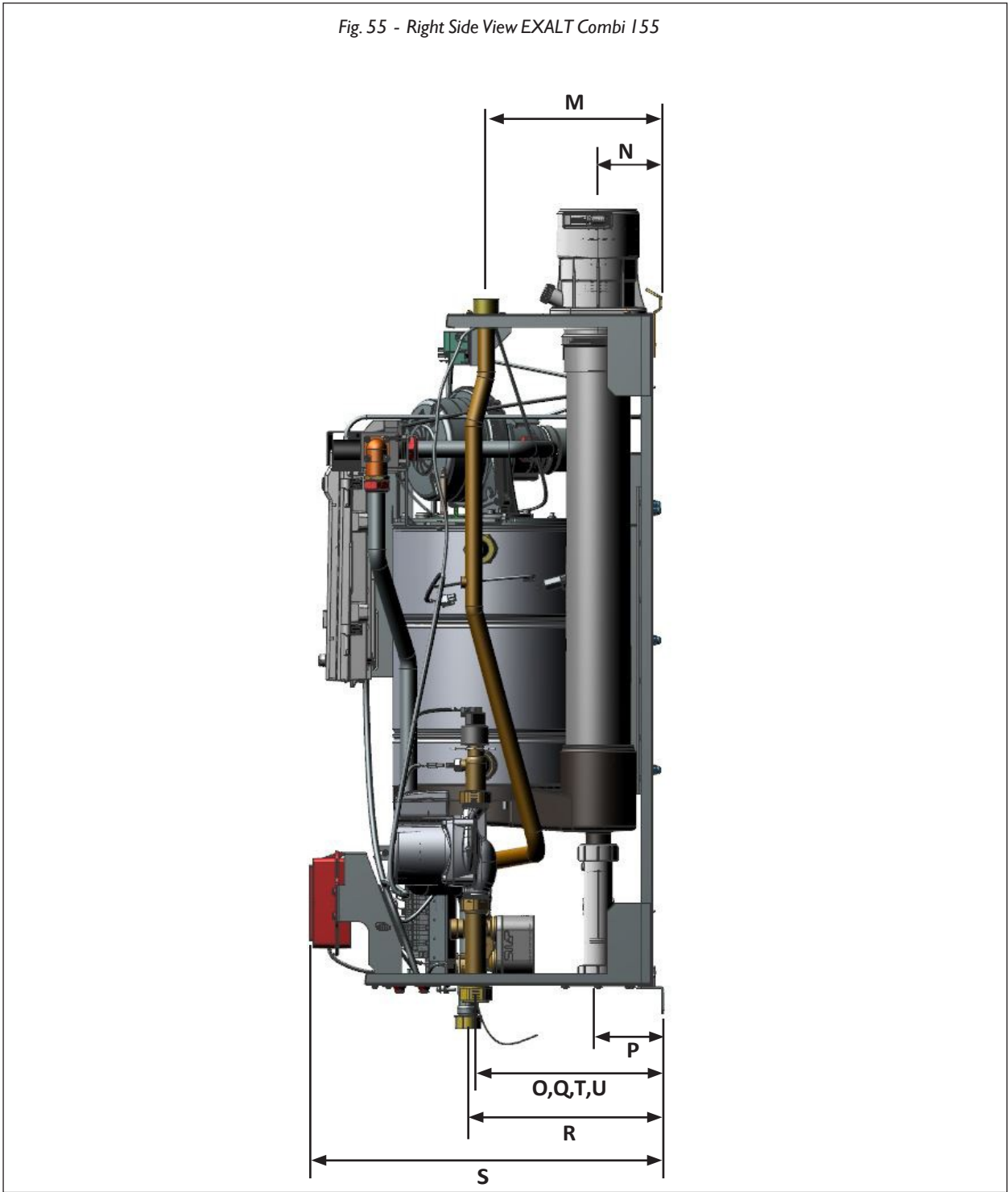
Fig. 54 - Front View EXALT Combi 155



| | A | B | C | D | E | F | G | H | I | J | K | L |
|-----------------------|--------------|-------------------------|----------------|------------------------|------------------------------------|---------------|----------------------|----------------------|-------------------------|------------------|---------------------|--------------------|
| Connection | Boiler Width | 3" Combustion Air Inlet | 3" Vent Outlet | 3/4" NPSC Relief Valve | Vent/Combustion Air Adapter Height | Boiler Height | 1" NPT Boiler Supply | 1" NPT Boiler Return | 3/4" NPT Gas Connection | Condensate Drain | 3/4" NPT DHW Supply | 3/4" NPT DHW Inlet |
| Dimension inches [mm] | 21 5/8 [550] | 15 3/4 [400] | 4 3/4 [120] | 2 1/8 [55] | 5 1/8 [130] | 32 5/8 [830] | 19 5/8 [500] | 2 3/4 [70] | 11 [280] | 8 1/2 [215] | 16 5/8 [425] | 5 3/4 [145] |

CHAPTER 19 - PRODUCT SPECIFICATIONS

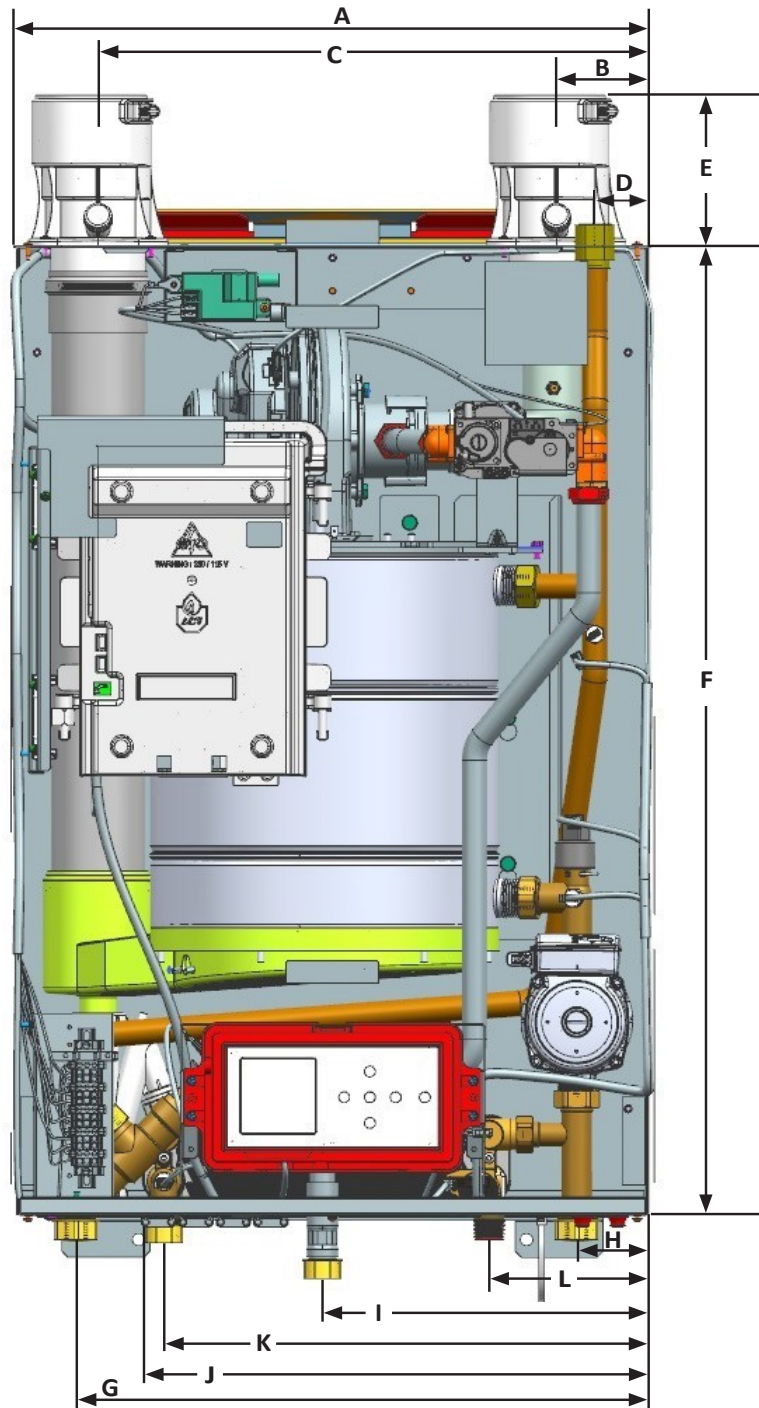
Fig. 55 - Right Side View EXALT Combi 155



| | M | N | O | P | Q | R | S | T | U |
|-----------------------|------------------------|--|----------------------|------------------|----------------------|-------------------------|--------------|--------------------|---------------------|
| Items | 3/4" NPSC Relief Valve | 3" Combustion Air Inlet & 3" Vent Outlet | 1" NPT Boiler Return | Condensate Drain | 1" NPT Boiler Supply | 3/4" NPT Gas Connection | Boiler Depth | 3/4" NPT DHW Inlet | 3/4" NPT DHW Outlet |
| Dimension inches [mm] | 8 5/8 [220] | 3 1/8 [80] | 9 1/8 [230] | 3 1/8 [80] | 9 1/8 [230] | 9 1/2 [240] | 17 1/8 [435] | 9 1/8 [230] | 9 1/8 [230] |

CHAPTER 19 - PRODUCT SPECIFICATIONS

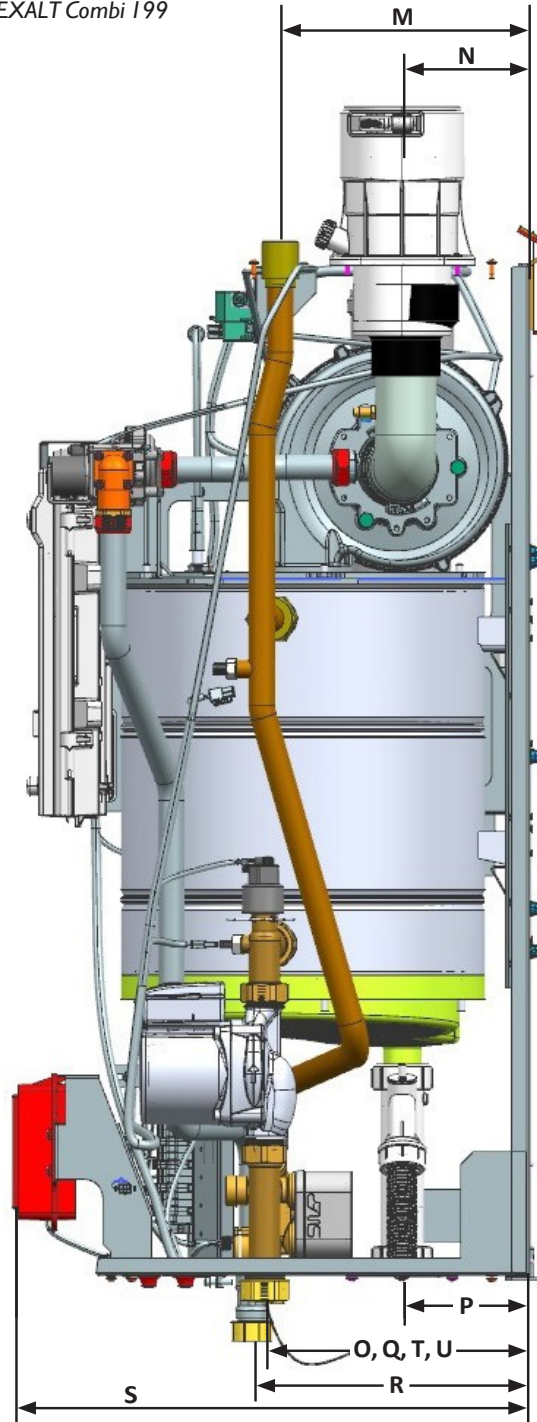
Fig. 56 - Front View EXALT Combi 199



| | A | B | C | D | E | F | G | H | I | J | K | L |
|-----------------------|--------------|-------------------------|----------------|------------------------|------------------------------------|---------------|----------------------|----------------------|-------------------------|------------------|---------------------|--------------------|
| Connection | Boiler Width | 3" Combustion Air Inlet | 3" Vent Outlet | 3/4" NPSC Relief Valve | Vent/Combustion Air Adapter Height | Boiler Height | 1" NPT Boiler Supply | 1" NPT Boiler Return | 3/4" NPT Gas Connection | Condensate Drain | 3/4" NPT DHW Supply | 3/4" NPT DHW Inlet |
| Dimension inches [mm] | 21 5/8 [550] | 3 3/8 [85] | 18 5/8 [475] | 2 15/16 [50] | 5 1/8 [130] | 32 5/8 [830] | 19 5/8 [500] | 2 3/4 [70] | 11 [280] | 15 1/4 [390] | 16 5/8 [425] | 5 3/4 [145] |

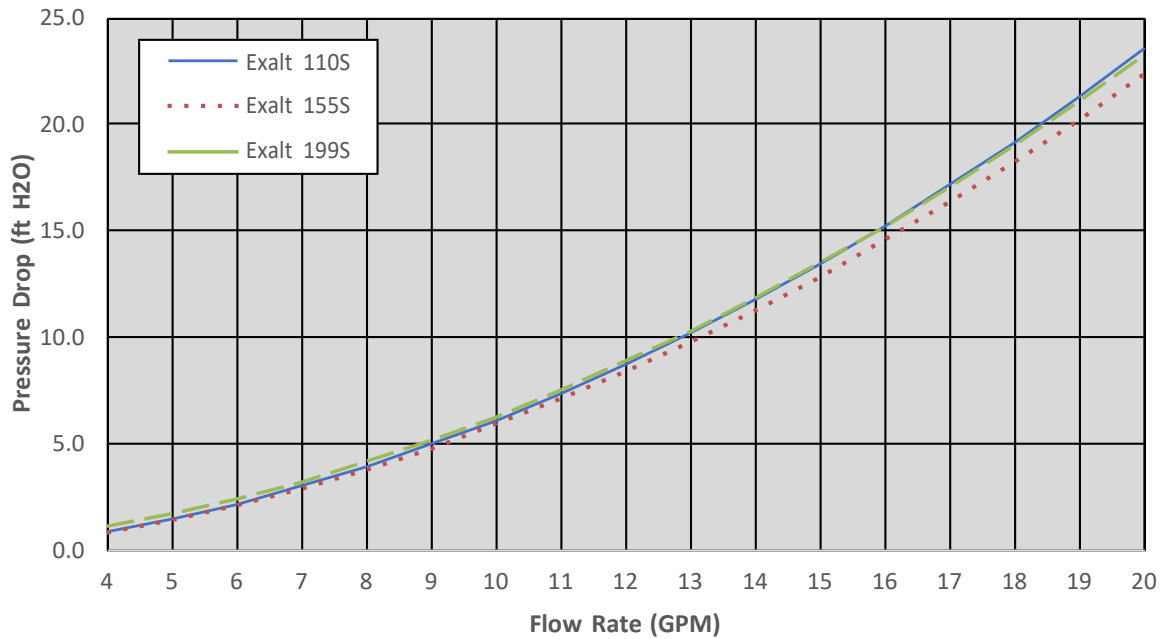
CHAPTER 19 - PRODUCT SPECIFICATIONS

Fig. 57 - Right Side View EXALT Combi 199



| | M | N | O | P | Q | R | S | T | U |
|-----------------------|------------------------|--|----------------------|------------------|----------------------|-------------------------|--------------|--------------------|---------------------|
| Items | 3/4" NPSC Relief Valve | 3" Combustion Air Inlet & 3" Vent Outlet | 1" NPT Boiler Return | Condensate Drain | 1" NPT Boiler Supply | 3/4" NPT Gas Connection | Boiler Depth | 3/4" NPT DHW Inlet | 3/4" NPT DHW Outlet |
| Dimension inches [mm] | 8 5/8 [220] | 4 5/8 [117] | 9 1/8 [230] | 4 5/8 [117] | 9 1/8 [230] | 9 1/2 [240] | 17 1/8 [435] | 9 1/8 [230] | 9 1/8 [230] |

EXALT Solo Pressure Drop



Graph 1 - EXALT Solo - Pressure Loss Through Boiler

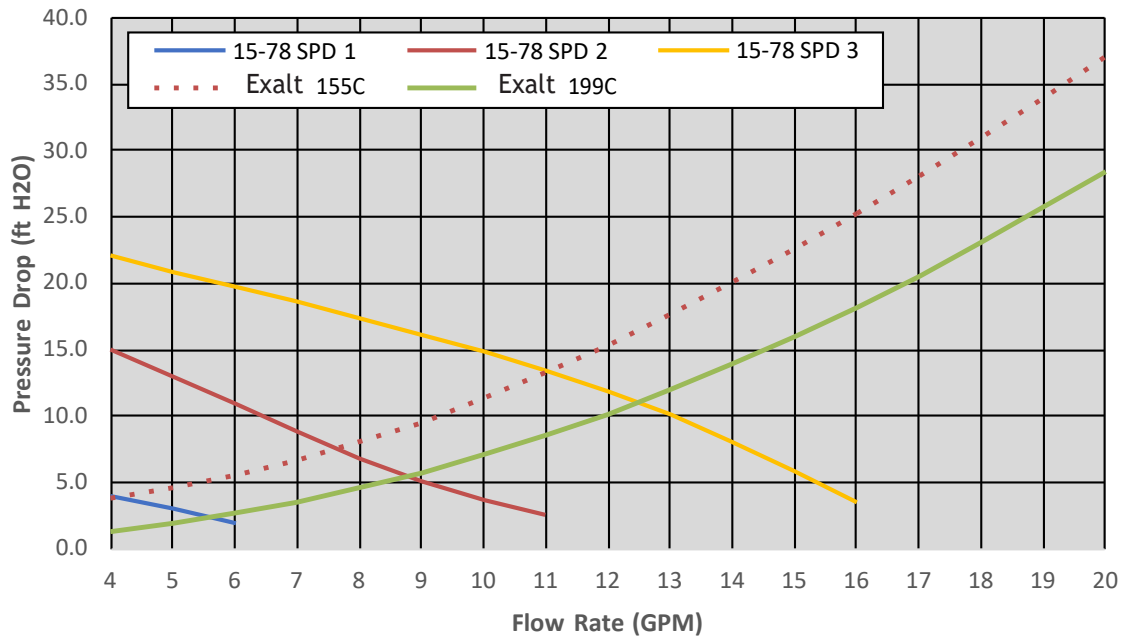
Note: Minimum allowable flow rate at full input:

- 5 gpm SOLO 110

- 7 gpm SOLO 155

- 9 gpm SOLO 199

EXALT Combi Pressure Drop



Graph 2 - EXALT Combi - Pressure Loss Through Boiler

Note: Minimum allowable flow rate at full input:

- 7 gpm COMBI 155

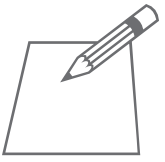
- 9 gpm COMBI 199



A series of horizontal dotted lines for writing, starting from the top right of the notepad and extending across the width of the page.



A series of horizontal dotted lines extending across the page, providing a guide for handwriting practice.



A series of horizontal dotted lines extending across the page, providing a guide for handwriting practice. The lines are evenly spaced and cover most of the page's width.



Ideal - 1240 Forest Parkway, Suite 100, West Deptford NJ 08066

Tel: (800) 411 9999 - Fax: (856) 228 3584 - E-mail: info@idealusa.com