

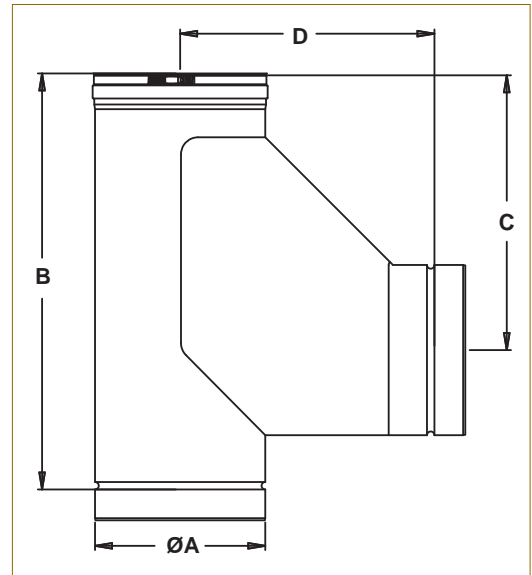
Z-VENT™ Single Wall

AL29-4C® Special Gas Vent

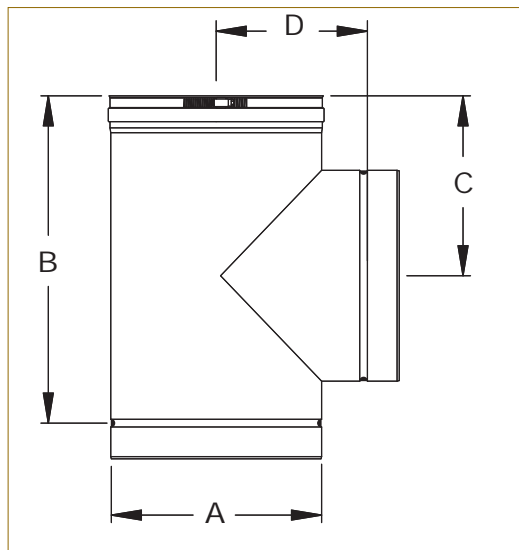
Boot Tee

A	B	C	D	Part Number	Description
3	11.00	7.50	4.88	2SVSTBT03	Z-Vent Boot Tee 3 in
4	12.00	8.00	5.25	2SVSTBT04	Z-Vent Boot Tee 4 in
5	14.00	9.50	7.00	2SVSTBT05	Z-Vent Boot Tee 5 in
6	17.00	11.25	10.00	2SVSTBT06	Z-Vent Boot Tee 6 in
7	13.63	12.50	11.25	2SVSTBT07	Z-Vent Boot Tee 7 in
8	20.34	13.75	12.50	2SVSTBT08	Z-Vent Boot Tee 8 in
9	22.30	15.00	13.75	2SVSTBT09	Z-Vent Boot Tee 9 in
10	24.44	16.25	15.00	2SVSTBT10	Z-Vent Boot Tee 10 in
12	29.88	18.75	17.44	2SVSTBT12	Z-Vent Boot Tee 12 in
14	33.00	22.25	19.50	2SVSTBT14	Z-Vent Boot Tee 14 in
16	35.34	25.25	22.00	2SVSTBT16	Z-Vent Boot Tee 16 in
18	42.47	29.25	25.47	2SVSTBT18	Z-Vent Boot Tee 18 in
20	46.00	31.75	28.00	2SVSTBT20	Z-Vent Boot Tee 20 in
22	49.50	34.25	30.47	2SVSTBT22	Z-Vent Boot Tee 22 in
24	53.00	36.75	33.00	2SVSTBT24	Z-Vent Boot Tee 24 in

A Boot Tee is designed to allow a low, flow resistance connection of horizontal and vertical sections. A tee cap is available separately.



A tee is used to connect horizontal and vertical vent sections



Tee

A	B	C	D	Part Number	Description
3	9.29	5.75	4.00	2SVST03	Z-Vent Tee 3 in
4	9.25	6.17	3.63	2SVST04	Z-Vent Tee 4 in
5	10.25	6.67	4.50	2SVST05	Z-Vent Tee 5 in
6	12.60	7.17	5.00	2SVST06	Z-Vent Tee 6 in
7	13.63	7.67	5.50	2SVST07	Z-Vent Tee 7 in
8	13.75	8.20	6.50	2SVST08	Z-Vent Tee 8 in
9	14.48	8.00	6.50	2SVST09	Z-Vent Tee 9 in
10	15.00	8.25	7.00	2SVST10	Z-Vent Tee 10 in
12	18.00	9.75	8.00	2SVST12	Z-Vent Tee 12 in
14	19.00	10.75	8.00	2SVST14	Z-Vent Tee 14 in
16	21.00	11.75	9.50	2SVST16	Z-Vent Tee 16 in
18	22.00	12.25	10.00	2SVST18	Z-Vent Tee 18 in
20	24.00	13.25	11.00	2SVST20	Z-Vent Tee 20 in
22	27.63	14.75	13.00	2SVST22	Z-Vent Tee 22 in
24	29.00	15.75	15.00	2SVST24	Z-Vent Tee 24 in