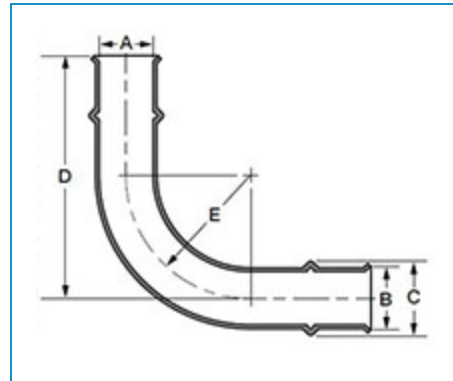
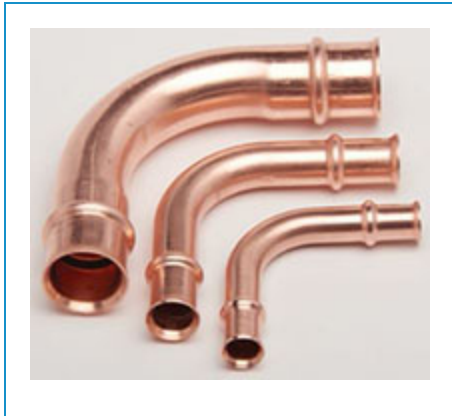




RLS LLC
833-RLS-FAST (833-757-3278)

Part Number 3031050500111, 3031 - 90° Elbow - Press x Press



[Specifications](#) | [Dimensions](#)

Specifications

Size 1	5/16
Size 2	5/16
Fitting Body Material	Refrigerant Grade Copper, per ASTM-B75 or ASTM-B743
O-Ring Material	HNBR
Maximum Rated Pressure (MRP)	700 psi
Continuous Operating Temperature	250 °F
End Type	Press End
Weight	0.058 lb

Dimensions

Angle	90 °
A	0.32 in
B	0.4 in
C	0.52 in
D	2.13 in
E	0.81 in