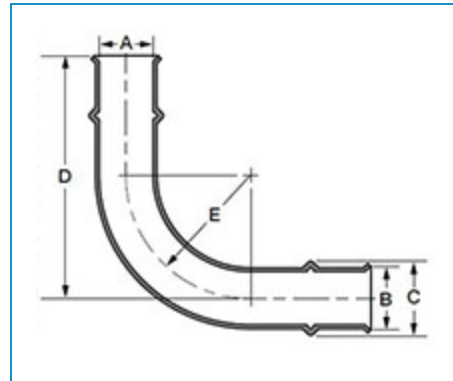
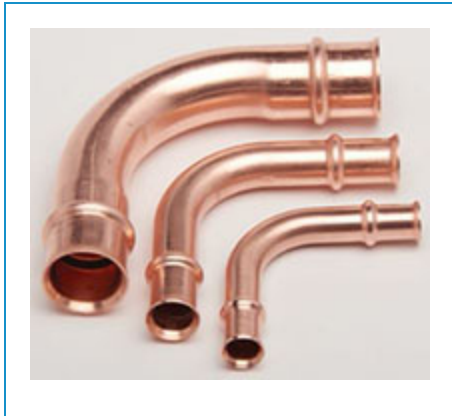




RLS LLC
833-RLS-FAST (833-757-3278)

Part Number 303118180011, 3031 - 90° Elbow - Press x Press



[Specifications](#) | [Dimensions](#)

Specifications

| | |
|---|---|
| Size 1 | 1 1/8 |
| Size 2 | 1 1/8 |
| Fitting Body Material | Refrigerant Grade Copper, per ASTM-B75 or ASTM-B743 |
| O-Ring Material | HNBR |
| Maximum Rated Pressure (MRP) | 700 psi |
| Continuous Operating Temperature | 250 °F |
| End Type | Press End |
| Weight | 0.695 lb |

Dimensions

| | |
|--------------|---------|
| Angle | 90 ° |
| A | 1.14 in |
| B | 1.29 in |
| C | 1.45 in |
| D | 4.29 in |
| E | 2.54 in |