



COMMERCIAL HEAVY-DUTY PLASTIC TOILET SEAT



PLASTIC HINGES WITH
STAINLESS STEEL POSTS
AND PINTLES



STA-TITE® COMMERCIAL
FASTENING SYSTEM™

MODEL #

COLOR #

397CT/397SSCT

DESCRIPTION :

Open front less cover, round, heavy-duty, injection molded solid plastic toilet seat. Features two molded-in bumpers, non self-sustaining (397CT) or self-sustaining (397SSCT) check hinges with non-corrosive 300 Series stainless steel posts and pintles and STA-TITE® Commercial Fastening System™. This seat complies with IAPMO/ANSI Z124.5-2013 Plastic Toilet Seats as a class Commercial Heavy Duty.

SPECIFICATIONS :

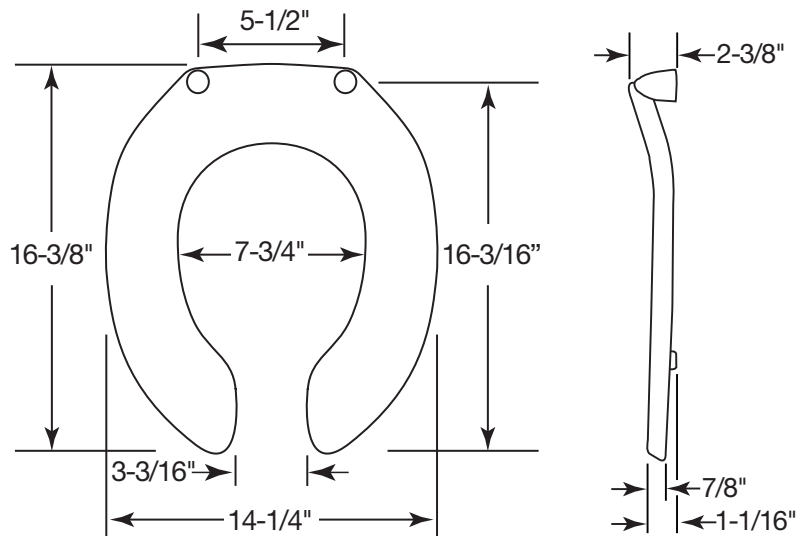
| | |
|-------------------|--|
| Size: | Round |
| Material: | Plastic |
| Style: | Open Front less Cover |
| Bumpers: | Two |
| Hinges: | Plastic Non Self-Sustaining (397CT) or Self-Sustaining (397SSCT) with 300 Series Stainless Steel Posts and Pintles |
| Fastening System: | STA-TITE® Commercial Fastening System™ |

FEATURES :

STA-TITE® Commercial Fastening System™

Non-Corrosive 300 Series Stainless Steel Posts and Pintles

DIMENSIONS :



Proudly Made in the USA

Church Seats, Sheboygan Falls, WI 53085
www.ToiletSeats.com

Phone: 800-233-7328 Fax: 800-292-3647
©2014 0B7082277 REVA