

For Residential and Commercial Applications

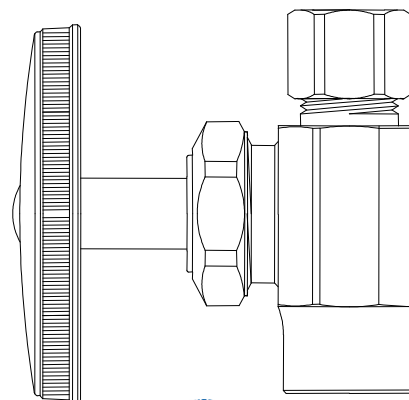
Job Name		Engineer / Architect	
Job Location		Wholesaler	
Submittal Date		Contractor	

R04/ R14/ R34 Multi-Turn Straight Stop – Sweat x Compression

Use: For use in potable water distribution systems. Not intended for recirculating water systems that produce continuous use temperatures above 115° F. For those applications, use our KT™ series ball stops

Design Features:

- **Machined one-piece brass body** provides strength, durability, and long-lasting performance
- **Oval knurled handle** provides a secure grip and smooth on/off operation
- **Easy-to-remove handle** with screw attachment helps protect against accidental stop operation during rough-ins
- **100% Compliant product** available



Operating Specifications:

Temperature: 40° - 140° F
Pressure: 125 PSI maximum

Standard

MATERIAL SPECIFICATIONS	
Body	Brass or brass, chrome plated
Stem	Brass or brass, chrome plated
Bib & Packing Washers	Rubber
Packing Nut	Brass or brass, chrome plated
Handle	Zinc, die cast plated; ABS, plated; or Polycarbonate
Handle Screw	Steel, zinc plated
Compression Sleeve	Brass
Compression Nut	Brass or brass, chrome plated

Compliant

MATERIAL SPECIFICATIONS	
Body	Compliant brass or Compliant brass, chrome plated
Stem	Compliant brass or Compliant brass, chrome plated
Bib & Packing Washers	Rubber
Packing Nut	Brass or brass, chrome plated
Handle	Zinc, die cast plated; ABS, plated; or Polycarbonate
Handle Screw	Steel, zinc plated
Compression Sleeve	Brass
Compression Nut	Brass or brass, chrome plated

Standard Part Listing:

- R04 C 1/2" nom sweat x 1/4" OD compression, chrome plated
- R04 R 1/2" nom sweat x 1/4" OD compression, rough brass
- R04 R1 1/2" nom sweat x 1/4" OD compression, rough brass, window tray
- R14 C 1/2" nom sweat x 3/8" OD compression, chrome plated
- R14 CBT 1/2" nom sweat x 3/8" OD compression, chrome plated, plain tray, bulk
- R14 CD 1/2" nom sweat x 3/8" OD compression, chrome plated, carded
- R14 C1 1/2" nom sweat x 3/8" OD compression, chrome plated, window tray

This specification and all information contained herein is the confidential and exclusive property of BrassCraft Manufacturing, and shall not be disclosed to others without the written consent of BrassCraft Mfg. This specification must be returned to BrassCraft Mfg if requested.



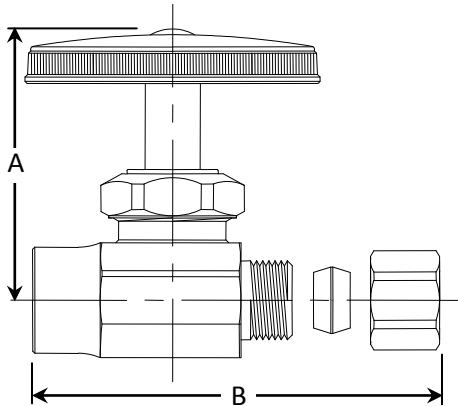
R04/ R14/ R34 Multi-Turn Straight Stop – Sweat x Compression

Standard Part Listing (con't):

- R14 R 1/2" nom sweat x 3/8" OD compression, rough brass
- R14 RBT 1/2" nom sweat x 3/8" OD compression, rough brass, plain tray, bulk
- R14 R1 1/2" nom sweat x 3/8" OD compression, rough brass, window tray
- R34 C 1/2" nom sweat x 1/2" OD compression, chrome plated
- R34 CBT 1/2" nom sweat x 1/2" OD compression, chrome plated, plain tray, bulk
- R34 C1 1/2" nom sweat x 1/2" OD compression, chrome plated, window tray
- R34 R 1/2" nom sweat x 1/2" OD compression, rough brass
- R34 R1 1/2" nom sweat x 1/2" OD compression, rough brass, window tray

Compliant Part Listing:

- R04X R1 1/2" nom sweat x 1/4" OD compression, rough brass, window tray
- R14X C1 1/2" nom sweat x 3/8" OD compression, chrome plated, window tray
- R14X R1 1/2" nom sweat x 3/8" OD compression, rough brass, window tray
- R34X C 1/2" nom sweat x 1/2" OD compression, chrome plated
- R34X CBT 1/2" nom sweat x 1/2" OD compression, chrome plated, plain tray, bulk
- R34X C1 1/2" nom sweat x 1/2" OD compression, chrome plated, window tray
- R34X R 1/2" nom sweat x 1/2" OD compression, rough brass
- R34X R1 1/2" nom sweat x 1/2" OD compression, rough brass, window tray



PART DIMENSIONS (Inches)		
Model	DIM. A	DIM. B
R04	1.56	1.95
R14	1.56	2.00
R34	1.56	2.06

Listings & Certifications:

- IAPMO listed to ASME A112.18.1 / CSA B125.1 (File # 0645)
- CSA listed to ASME A112.18.1 / CSA B125.1 (File # 204593)
- Compliant product CSA listed to Low Lead Content Certification Program – Plumbing Products Class 6853-01



This specification and all information contained herein is the confidential and exclusive property of BrassCraft Manufacturing, and shall not be disclosed to others without the written consent of BrassCraft Mfg. This specification must be returned to BrassCraft Mfg if requested.

BrassCraft[®]