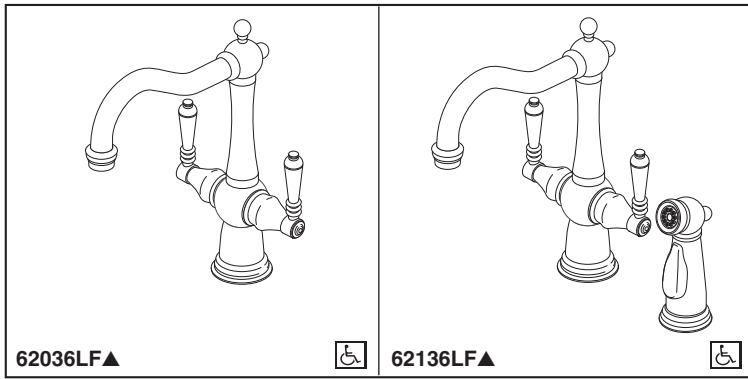


# BRIZO®

## KITCHEN FAUCETS

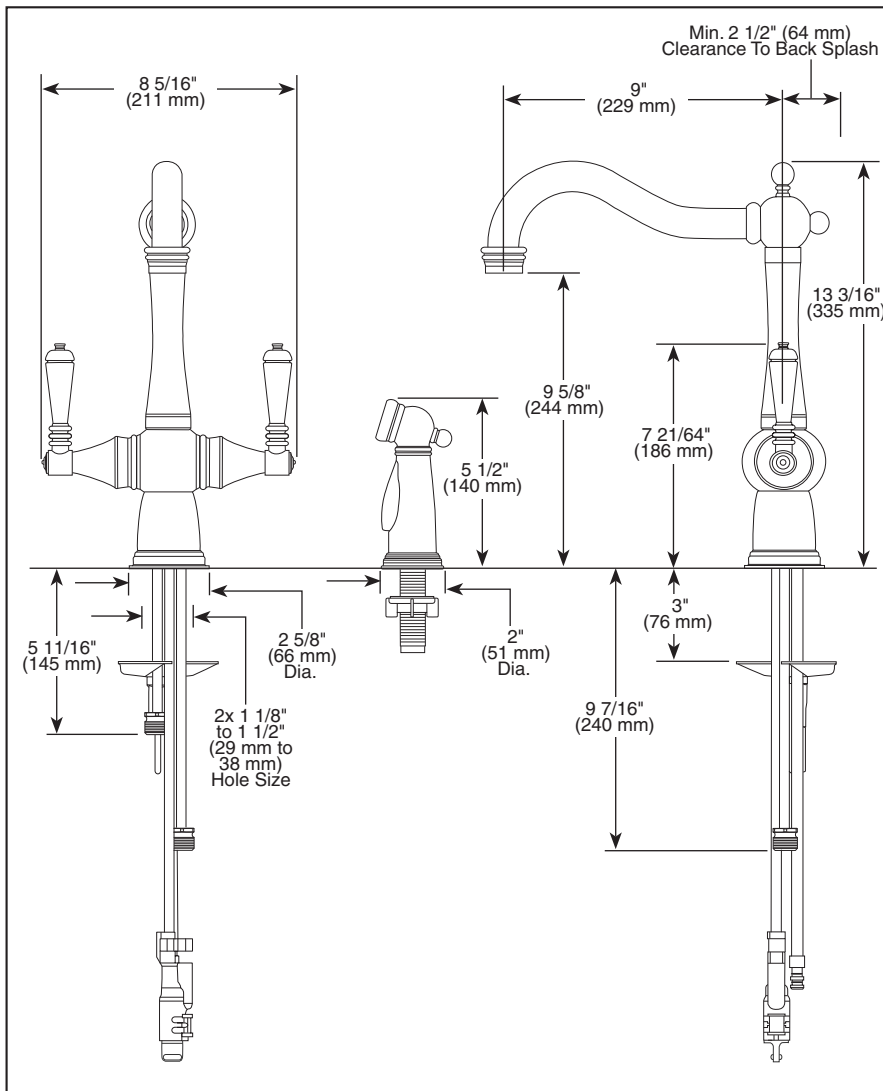
- Tresa® Kitchen Collection
- Two Handle Deck Mount
- Single Hole Mount



Submitted Model No.: \_\_\_\_\_  
 Specific Features: \_\_\_\_\_

### STANDARD SPECIFICATIONS:

- Two handle kitchen deck faucet.
- Solid brass fabricated body.
- 9" (229 mm) long spout.
- Accommodates up to 3" deck thickness.
- Ceramic disc valving.
- Control mechanism shall be of the rotating cylinder type with 90° rotation, with replaceable non-metallic seats, operating in stainless steel lined sockets.



▲ Designate Proper Finish Suffix

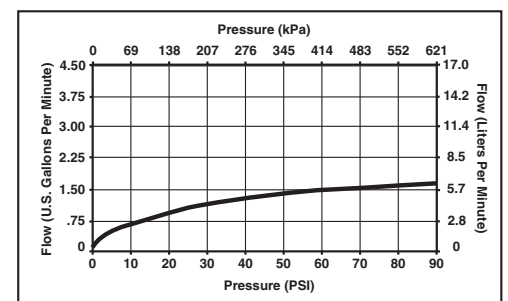
### WARRANTY

- Lifetime Faucet and Finish Limited Warranty to the original consumer purchaser to be free from defects in material and workmanship.
- 5 Year Limited Warranty for usage in all industrial, commercial and business applications.



### COMPLIES WITH:

- ASME A112.18.1 / CSA B125.1
- Indicates compliance to ICC/ANSI A117.1
- Verified compliant with .25% weighted average Pb content regulations.



Delta reserves the right (1) to make changes in specifications and materials, and (2) to change or discontinue models, both without notice or obligation. Dimensions are for reference only. See current full-line price book or www.brizo.com for finish options and product availability.

BSP-K-62036LF Rev. C

### Delta Faucet Company

55 E. 111th Street, Indianapolis, Indiana 46280  
 395 Matheson Blvd. E., Mississauga, ON L4Z 2H2  
 © 2011 Masco Corporation of Indiana