

**Talis Select E**  
**Single-Hole Faucet 110 with Pop-Up Drain, 1.2 GPM**  
 Finishes : **chrome**    Part no. : **71750001**



## Description

### Features

- Aerated spray
- Flow: 1.2 GPM (4.5 L/Min)
- Select cartridge for easy, intuitive operation: Push handle to turn water on and off, and turn to adjust temperature
- Includes pop-up drain

## Item details

List Price

## Technology



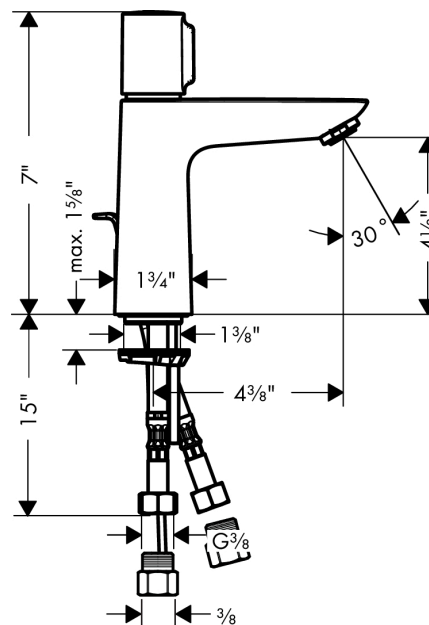
## Compliance



## Product image



## Scale drawing

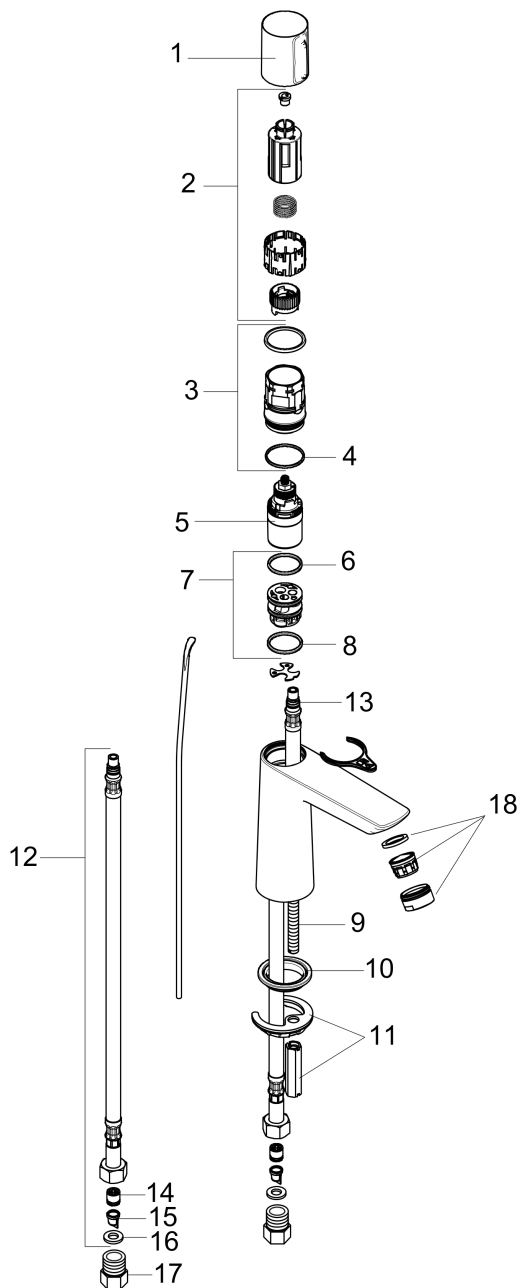


**Talis Select E**  
**Single-Hole Faucet 110 with Pop-Up Drain, 1.2 GPM**  
Finishes : **chrome**    Part no. : **71750001**



## Exploded drawing

Year of production: >11/16



**Talis Select E**  
**Single-Hole Faucet 110 with Pop-Up Drain, 1.2 GPM**  
 Finishes : **chrome**    Part no. : **71750001**



## Spare parts list

Year of production: >11/16

Pos.	Description	Part no.	Price	PU
1	handle	92525000	-	1
2	adapter for handle	92526000	-	1
3	nut	92528000	-	1
4	O-ring 27x1,5	92527000	-	1
5	cartridge, assy	92529000	-	1
6	O-Ring 28x2	98194000	-	1
7	adapter for cartridge	98866000	-	1
8	O-ring 23x2	98398000	-	1
9	screw M8 x 68	97736000	-	1
10	seal Ø 42	98722000	-	1
11	fixing set	96016000	-	1
12	connection hose 450 mm M8x0,75 G3/8	92531000	-	1
13	O-ring 7x1,5	98422000	-	1
14	non return valve DW 10	96456000	-	1
15	filter	92532000	-	1
16	sealing set	92533000	-	1
17	adapter for connection hose	88802000	-	1
18	aerator M24x1 (4,5 l/min)	92877000	-	1
a	pop up waste	88509000	-	1