



The new degree of comfort.®



Residential-Duty Commercial Gas
Professional *Classic Plus* Heavy Duty
Power Direct Vent Water Heaters

Professional *Classic Plus*® Heavy Duty Power Direct Vent gas water heaters are a perfect choice for tight construction and indoor air quality

Efficiency

- .63 UEF

Performance

- Recovery Capacity: 72.8 gallons per hour (delivers approximately 120 gallons of hot water in the first hour)**

Self-Diagnostic System

- Electronic gas control for improved monitoring and service



Low Emissions

- Eco-friendly burner, low NOx design

Features

- Two pipe system: one pipe pulls in outside air for combustion and the other exhausts combustion gases
- 120 VAC powered blower
- New whisper quiet blower

Flammable Vapor Detection System

- Protective control system that disables the heater in the presence of flammable vapor accumulation

Flexible Venting Options

- Long venting lengths up to 100 feet
- PVC, ABS, or CPVC vent and air inlet options
- Vertical or horizontal vent and air inlet system configurations
- 3" and 4" Concentric vent kits available

Longer Life

- Premium grade anode rod provides long-lasting tank protection

High Altitude Compliant

- Models are certified for applications up to 10,100 feet above sea level

Plus...

- Enhanced flow brass drain valve
- Temperature and pressure relief valve included
- Low lead compliant
- Durable silicon nitride igniter (HSI)
- Side taps for space heating
- EverKleen® patented system fights sediment build-up
- Standard replacement parts

Warranty

- 8-Year limited tank and parts warranty*
- With ProtectionPlus™ the 8-year limited tank warranty becomes 12-year

*See Warranty Certificate for complete information

Units meet or exceed ANSI requirements and have been tested according to D.O.E. procedures. Units meet or exceed the energy efficiency requirements of NAECA, ASHRAE and all state energy efficiency performance criteria.

Safety and Construction | Design certified by CSA: For operation at 160 degrees; meets all safety and construction requirements of ANSI Z21.10.3; as an automatic storage water heater; and for operation on combustible floors and in alcove installations. All models are North Carolina Code compliant. **Certified for 150 PSI maximum working pressure.**



Professional *Classic Plus* Heavy Duty Power Direct Vent 75-Gallon Capacities 75,100 BTU/h Natural and LP Gas



See specifications chart on back.



INTEGRATED HOME COMFORT



The new degree of comfort®



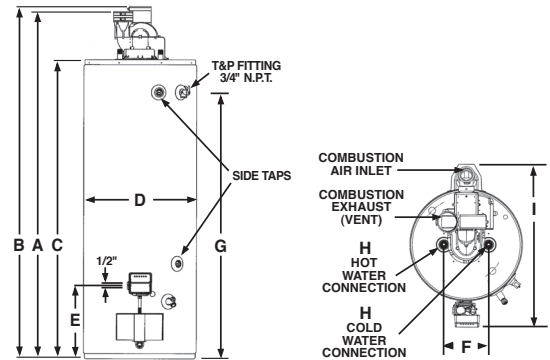
Residential-Duty Commercial Gas
Professional *Classic Plus* Heavy Duty
Power Direct Vent Water Heaters

Professional *Classic Plus*® Heavy Duty Power Direct Vent Specifications

DESCRIPTION				FEATURES					ROUGHING IN DIMENSIONS (SHOWN IN INCHES)										ENERGY INFO.	
TYPE	NOMINAL GALLON CAP.	RATED GALLON CAP.	MODEL NUMBER	GAS INPUT IN THOUS. BTU/H		RECOVERY IN G.P.H. 100° F RISE**		FIRST HOUR RATING (GALLONS)	HEIGHT TO TOP OF VENT A	HEIGHT TO TOP OF AIR INLET B	TANK HEIGHT C	DIAM. D	HT. TO GAS CONN. E	WATER CONN. CNTR. F	HT. TO SIDE T&P VALVE G	WATER CONN. SIZE H	FRONT TO BACK I	SHIP WT. (LBS)	UNIFORM ENERGY FACTOR (UEF)	
				NAT.	LP	NAT.	LP													
Tall	75	73	PRO+G75-75N RH PDV	75.1	-	72.8	-	120	70-3/8	71-1/4	60-1/2	26-1/4	15	11	53	1	36-3/4	325	0.63	
Tall	75	73	PRO+G75-76P RH PDV	-	75.1	-	72.8	120	70-3/8	71-1/4	60-1/2	26-1/4	15	11	53	1	36-3/4	325	0.63	

Uniform Energy Factor and rated gallon capacity based on Department of Energy (DOE) requirements.

**Recovery Capacity is based upon a 100° F water temperature rise and calculated per ANSI Z21.10.3 standards.



Vent and Combustion Air Inlet System Information

MODEL NUMBER	VENT & COMBUSTION AIR-INLET SYSTEM DIAMETER	MIN. ALLOWED EQUIVALENT VENT & COMBUSTION AIR-INLET SYSTEM LENGTHS (EACH PIPE RUN)			MAX. ALLOWED EQUIVALENT VENT & COMBUSTION AIR-INLET SYSTEM LENGTHS (EACH PIPE RUN)		VENT AND COMBUSTION AIR-INLET SYSTEM TERMINATION(S)	
	INCHES	FEET	METERS	FEET	METERS			
FROM SEA LEVEL TO 2,000 FT. (609 M) ABOVE SEA LEVEL								
PRO+G75-75N RH PDV AND PRO+G75-76P RH PDV	3	8	2.4	50	15.2	90° Elbows	-	
	3	8	2.4	40	12.2	-	Concentric*	
	3	8	2.4	40	12.2	-	Concentric**	
	4	8	2.4	100	30.5	90° Elbows	-	
	4	8	2.4	90	27.4	-	Concentric*	
	4	8	2.4	90	27.4	-	Concentric**	
FROM 2,000 FT. (609 M) THROUGH 5,400 FT. (1,646 M) ABOVE SEA LEVEL								
PRO+G75-75N RH PDV AND PRO+G75-76P RH PDV	3	8	2.4	25	7.6	90° Elbows	-	
	3	8	2.4	20	6.1	-	Concentric*	
	3	8	2.4	20	6.1	-	Concentric**	
	4	8	2.4	100	30.5	90° Elbows	-	
	4	8	2.4	90	27.4	-	Concentric*	
	4	8	2.4	20	6.1	-	Concentric**	
FROM 6,000 FT. (1,829 M) ABOVE SEA LEVEL THROUGH 7,800 FT. (2,377 M) ABOVE SEA LEVEL								
PRO+G75-75N RH PDV AND PRO+G75-76P RH PDV	4	8	2.4	50	15.2	90° Elbows	-	
PRO+G75-75N RH PDV	4	8	2.4	45	13.7	-	Concentric*	
	4	8	2.4	45	13.7	-	Concentric**	
FROM 7,701 FT. (2,347 M) ABOVE SEA LEVEL THROUGH 10,100 FT. (3,078 M) ABOVE SEA LEVEL								
PRO+G75-75N RH PDV	4	8	2.4	50	15.2	90° Elbows	-	
	4	8	2.4	45	13.7	-	Concentric*	
	4	8	2.4	45	13.7	-	Concentric**	

One 90° elbow is approximately equivalent to 5 feet of pipe. One 45° elbow is approximately equivalent to 2.5 feet of pipe.

*Use only Rheem 3 in. (7.6 cm) concentric termination kit number SP20245.

**Use only Rheem 4 in. (10.2 cm) concentric termination kit number SP20919.

In keeping with its policy of continuous progress and product improvement, Rheem reserves the right to make changes without notice.

Rheem Water Heating • 1115 Northmeadow Parkway, Suite 100
Roswell, Georgia 30076 • www.rheem.com



INTEGRATED HOME COMFORT