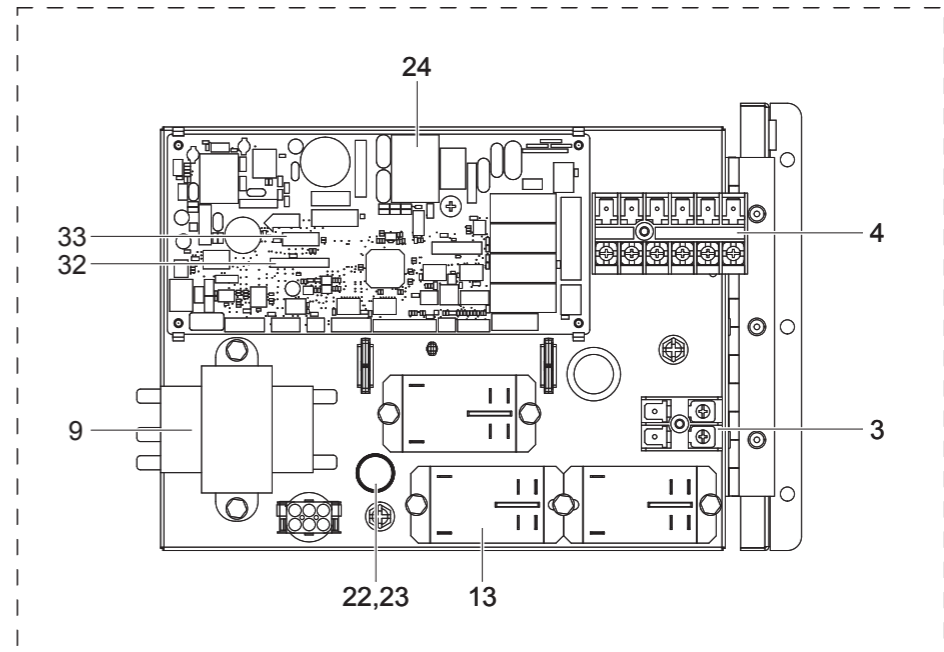
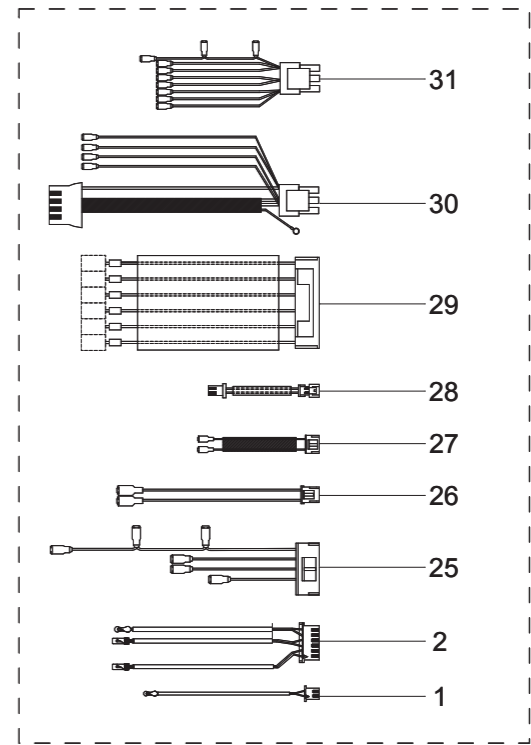
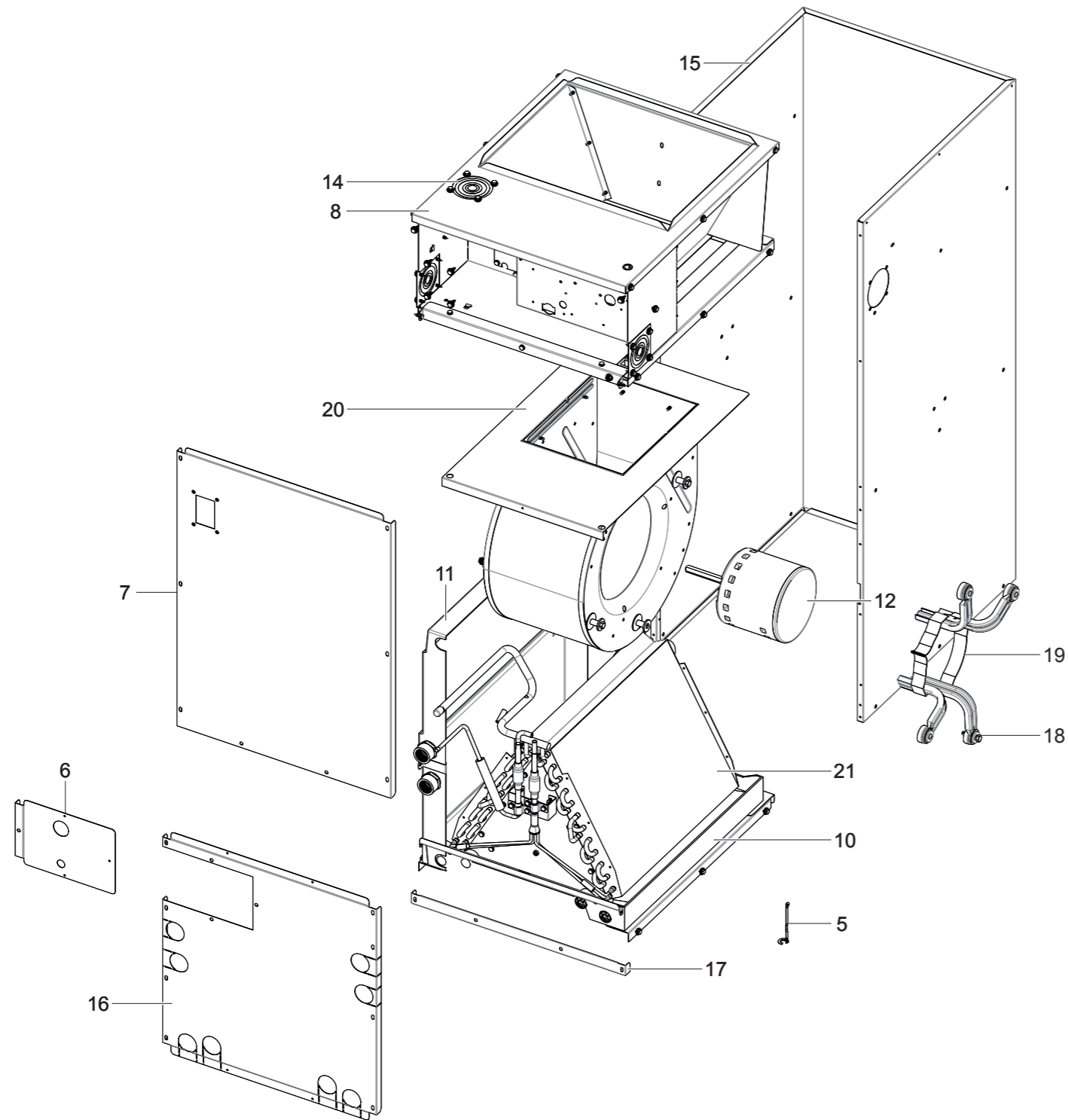


V-AHU Exploded Views and Parts List

■ Indoor Unit : AC018/024/030/036/042/048/054KNZDCH



■ Parts List: AC018/024/030/036/042/048/054KNZDCH

No.	Code No.							Description	Mortex Part Name	Specification	Q'TY	SA/SNA
	AC018KNZDCH/AA	AC024KNZDCH/AA	AC030KNZDCH/AA	AC036KNZDCH/AA	AC042KNZDCH/AA	AC048KNZDCH/AA	AC054KNZDCH/AA					
1	DB32-00236A	DB32-00236A	DB32-00236A	DB32-00236A	DB32-00236A	DB32-00236A	DB32-00236A	SENSOR TEMP	-	SAMSUNG	1	SA
2	DB95-05011F	DB95-05011F	DB95-05011F	DB95-05011F	DB95-05011F	DB95-05011F	DB95-05011F	ASSY THERMISTOR IN	-	SAMSUNG	1	SA
3	DB65-00324B	DB65-00324B	DB65-00324B	DB65-00324B	DB65-00324B	DB65-00324B	DB65-00324B	TERMINAL BLOCK-THERMAL FUSE	-	SAMSUNG	1	SA
4	DB65-00179F	DB65-00179F	DB65-00179F	DB65-00179F	DB65-00179F	DB65-00179F	DB65-00179F	TERMINAL BLOCK	-	SAMSUNG	1	SA
5	DB81-00635A	DB81-00635A	DB81-00635A	DB81-00635A	DB81-00635A	DB81-00635A	DB81-00635A	SPRING ETC-SENSOR	-	SAMSUNG	1	SA
6	DB81-04179A	DB81-04179A	DB81-04179A	DB81-04179A	DB81-04179A	DB81-04179A	DB81-04179A	A/S-CABI FRONT DOWN SVC	LINE SET PLATE	MORTEX	1	SA
7	DB81-04180A	DB81-04180A	DB81-04180B	DB81-04180B	DB81-04180C	DB81-04180C	DB81-04180C	A/S-CABI FRONT UP	CABINET BLOWER DOOR	MORTEX	1	SA
8	DB81-04181A	DB81-04181A	DB81-04181B	DB81-04181B	DB81-04181C	DB81-04181C	DB81-04181C	A/S-CABI TOP	CABINET TOP	MORTEX	1	SA
9	DB81-04182A	DB81-04182A	DB81-04182A	DB81-04182A	DB81-04182A	DB81-04182A	DB81-04182A	A/S-TRANSFORMER	208/240 VAC SECOND 40VA W/0.25 X 0.032	MORTEX	1	SA
10	DB81-04183A	DB81-04183A	DB81-04183B	DB81-04183B	DB81-04183C	DB81-04183C	DB81-04183C	A/S-DRAIN PAN	VERTICAL DRAIN PAN	MORTEX	1	SA
11	DB81-04184A	DB81-04184A	DB81-04184B	DB81-04184B	DB81-04184C	DB81-04184C	DB81-04184C	A/S-DRAIN PAN SIDE	HORIZONTAL DRAIN PAN	MORTEX	1	SA
12	DB81-04294A	DB81-04294B	DB81-04294C	DB81-04294D	DB81-04294E	DB81-04294F	DB81-04294G	A/S-FAN MOTOR	CONSTANT TORQUE MOTOR, PROGRAMMED	MORTEX	1	SA
13	DB81-04186A	DB81-04186A	DB81-04186A	DB81-04186A	DB81-04186A	DB81-04186A	DB81-04186A	A/S-RELAY A	RELAY 240V COIL	MORTEX	3	SA
14	DB81-04190A	DB81-04190A	DB81-04190A	DB81-04190A	DB81-04190A	DB81-04190A	DB81-04190A	A/S-BRACKET WIRE	HIGH VOLTAGE KNOCK OUT PLATE	MORTEX	1	SA
15	DB81-04194A	DB81-04194A	DB81-04194B	DB81-04194B	DB81-04194C	DB81-04194C	DB81-04194C	A/S-CABI BACK	CABINET WRAPPER SAMSUNG	MORTEX	1	SA
16	DB81-04196A	DB81-04196A	DB81-04196B	DB81-04196B	DB81-04196C	DB81-04196C	DB81-04196C	A/S-CABI FRONT DOWN	COIL DOOR	MORTEX	1	SA
17	DB81-04197A	DB81-04197A	DB81-04197B	DB81-04197B	DB81-04197C	DB81-04197C	DB81-04197C	A/S-BRACKET CABI	BOTTOM BRACE	MORTEX	1	SA
18	DB81-04198A	DB81-04198A	DB81-04198A	DB81-04198A	DB81-04198A	DB81-04198A	DB81-04198A	A/S-BRACKET MOTOR LEG	MTR MT ARM & GROMMET 4L	MORTEX	1	SA
19	DB81-04199A	DB81-04199A	DB81-04199A	DB81-04199A	DB81-04199A	DB81-04199A	DB81-04199A	A/S-BRACKET MOTOR MIDDLE	MOTOR MOUNT BAND 4L	MORTEX	1	SA
20	DB81-04200A	DB81-04200A	DB81-04200B	DB81-04200B	DB81-04200C	DB81-04200C	DB81-04200C	A/S-BLOWER CASE	BLOWER HOUSING AND WHEEL	MORTEX	1	SA
21	DB81-04293A	DB81-04293B	DB81-04293B	DB81-04293D	DB81-04293E	DB81-04293E	DB81-04293G	A/S-HEAT EXCHANGER	HEAT EXCHANGER	MORTEX	1	SA
22	DB81-04203A	DB81-04203A	DB81-04203A	DB81-04203A	DB81-04203A	DB81-04203A	DB81-04203A	A/S-FUSE	FUSE	MORTEX	1	SA
23	DB81-04204A	DB81-04204A	DB81-04204A	DB81-04204A	DB81-04204A	DB81-04204A	DB81-04204A	A/S-FUSE HOLDER AND FUSE	FUSE HOLDER AND FUSE	MORTEX	1	SA
24	DB92-03931A	DB92-03931A	DB92-03931A	DB92-03931A	DB92-03931A	DB92-03931A	DB92-03931A	ASSY PCB MAIN	-	SAMSUNG	1	SA
25	DB93-16092A	DB93-16092A	DB93-16092A	DB93-16092A	DB93-16092A	DB93-16092A	DB93-16092A	ASSY CONNECTOR WIRE-AC SIGNAL	-	SAMSUNG	1	SA
26	DB93-09220A	DB93-09220A	DB93-09220A	DB93-09220A	DB93-09220A	DB93-09220A	DB93-09220A	ASSY CONNECTOR WIRE-FAN OUT	-	SAMSUNG	1	SA
27	DB93-09990A	DB93-09990A	DB93-09990A	DB93-09990A	DB93-09990A	DB93-09990A	DB93-09990A	ASSY CONNECTOR WIRE-POWER	-	SAMSUNG	1	SA
28	DB93-13688C	DB93-13688C	DB93-13688C	DB93-13688C	DB93-13688C	DB93-13688C	DB93-13688C	ASSY CONNECTOR WIRE-DC SIGNAL	-	SAMSUNG	1	SA
29	DB93-14029A	DB93-14029A	DB93-14029A	DB93-14029A	DB93-14029A	DB93-14029A	DB93-14029A	ASSY CONNECTOR WIRE-DC SIGNAL	-	SAMSUNG	1	SA
30	DB81-04296A	DB81-04296A	DB81-04296A	DB81-04296A	DB81-04296A	DB81-04296A	DB81-04296A	A/S-MOTOR WIRE A	MOTOR WIRE	MORTEX	1	SA
31	DB81-04295A	DB81-04295A	DB81-04295A	DB81-04295A	DB81-04295A	DB81-04295A	DB81-04295A	A/S-MOTOR WIRE B	MOTOR WIRE	MORTEX	1	SA
32	DB92-02793A	DB92-02793A	DB92-02793A	DB92-02793A	DB92-02793A	DB92-02793A	DB92-02793A	ASSY FUNCTION	-	SAMSUNG	1	SA
33	DB93-12483A	DB93-12483A	DB93-12483A	DB93-12483A	DB93-12483A	DB93-12483A	DB93-12483A	ASSY PCB SUB-EEPROM	-	SAMSUNG	1	SA