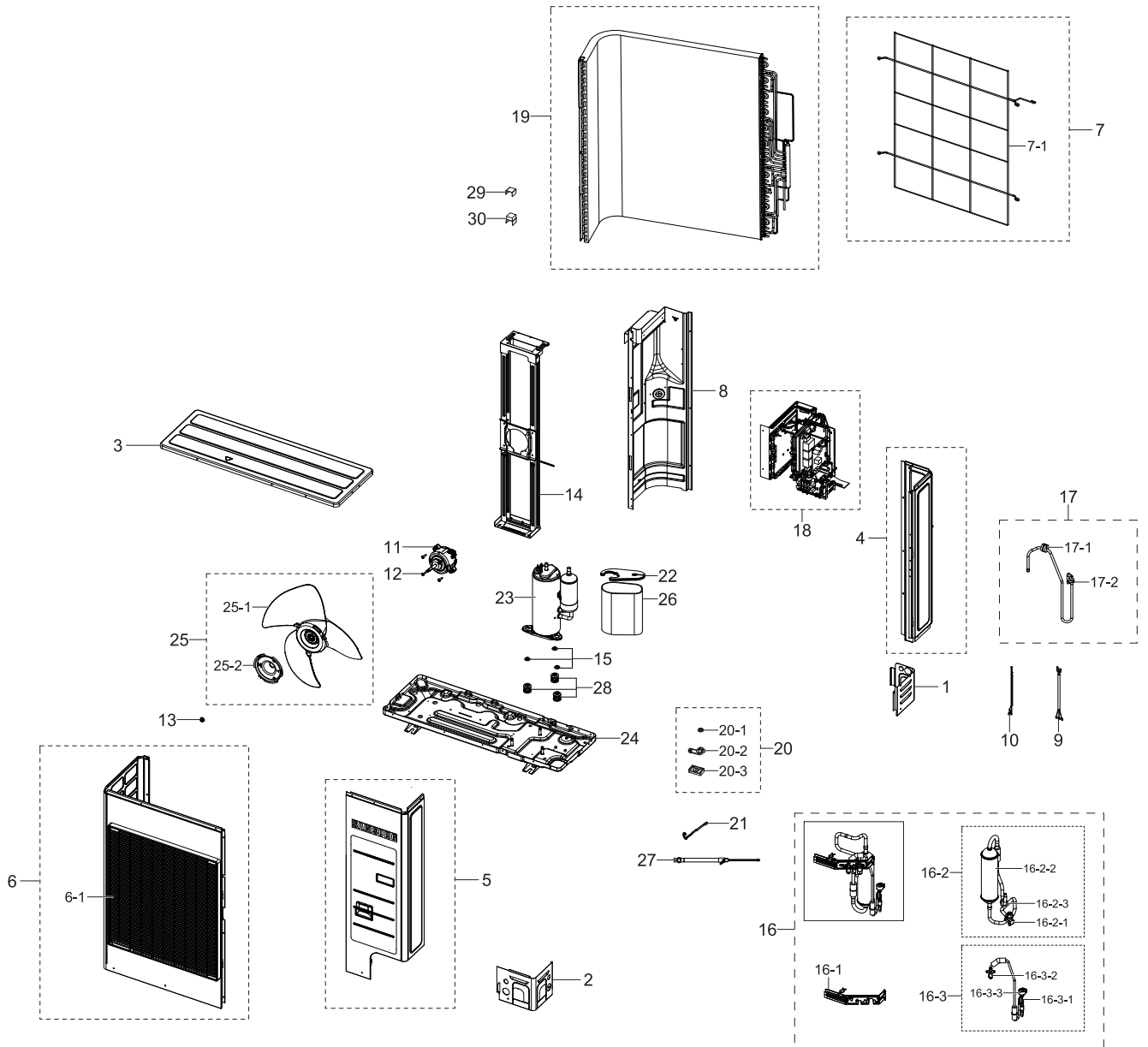


1. AC036MXSCCC/AA

Exploded View



Parts List

No.	Lvl.	Loc.	Material Code	Description & Specification	SNA	Qty.
1	2		DB64-02525C	CABINET-INSTALL BACK; RC160MHXEA,EGI-SECC	SA	1
2	2		DB64-02526C	CABINET-INSTALL FRONT; RC100PHXEA,EGI-SEC	SA	1
3	2	A0212	DB90-05902E	ASSY CABINET-TOP; RC090MHXEA,EHS MONO	SA	1
4	2	A2609	DB90-05903F	ASSY CABI BACK-RH; AC036KXADEC/TL,UB1	SA	1

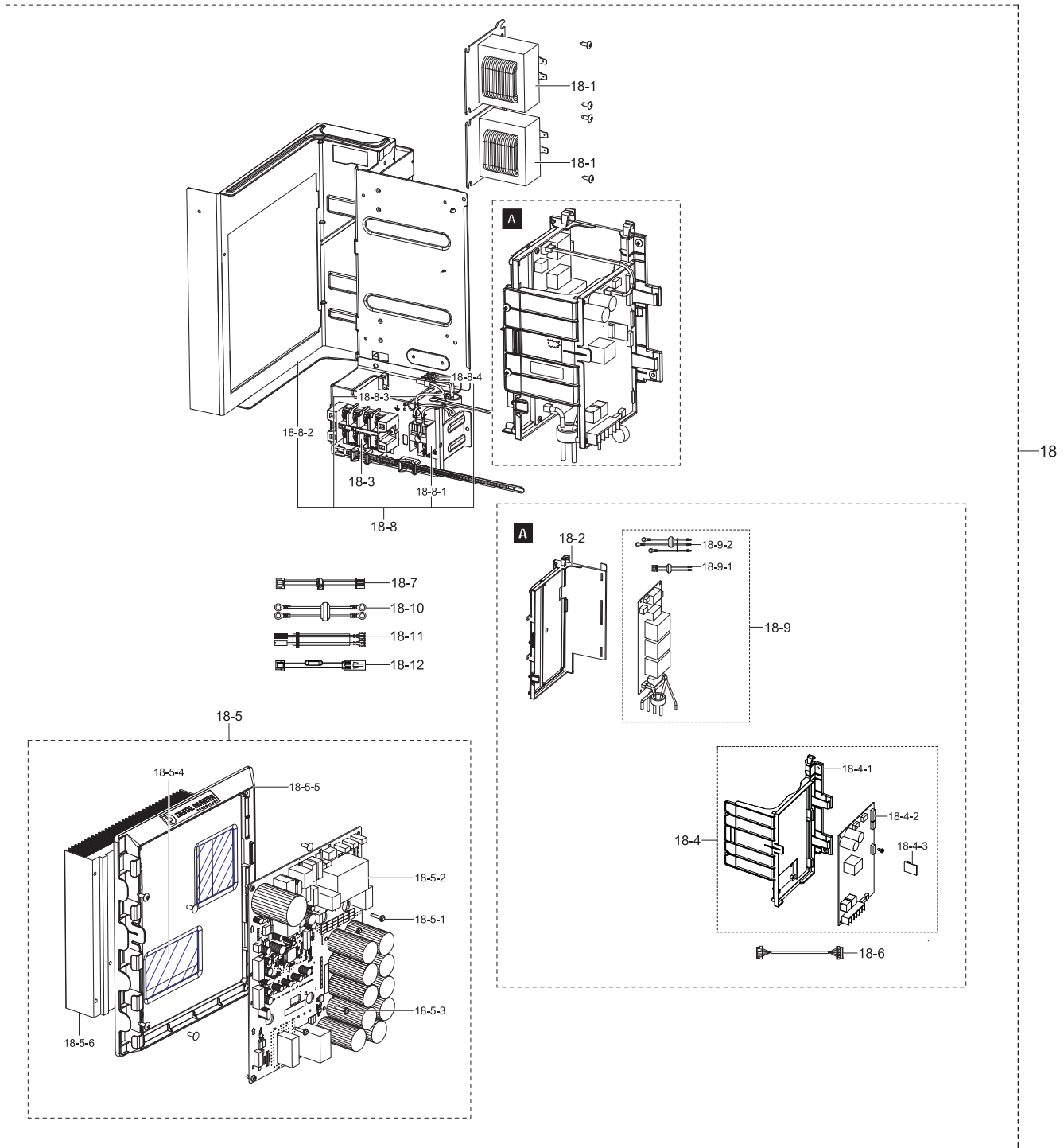
Exploded Views and Parts List

No.	Lvl.	Loc.	Material Code	Description & Specification	SNA	Qty.
5	2	A2608	DB90-05904H	ASSY CABI FRONT-RH; AC036KXADEC/TL,UB1	SA	1
6	2	A2620	DB90-05971D	ASSY CABI FRONT-LF; AC120HCADKH/EU	SA	1
6-1	3	G0153	DB63-02728C	GUARD FAN; PP,EARTH BROWN	SA	1
7	2		DB90-08318H	ASSY GUARD-COND; AC036MXSCCC/AA	SNA	1
7-1	3		DB63-02730D	GUARD COND; AC036MXSCCC/AA,MSWR,T4.0,EART	SA	1
8	2	A1748	DB94-02720E	ASSY PARTITION; AC090JX4PBH1	SNA	1
9	2	A0630	DB93-15687A	ASSY CONNECTOR WIRE-COMP; 3,3343,12,RED,M	SA	1
10	2		DB95-04871D	ASSY THERMISTOR OUT-SUB OUT; 103AT,AC,-,-	SA	1
11	2		DB31-00683A	MOTOR BLDC FAN; DB31-00579,830,310V,125W	SA	1
12	2		DB60-00150A	SCREW-SPECIAL; HWH,M4,L26,ZPC(WHT),SWRCH1	SA	4
13	2		DB60-00405A	FASTENER-WASHER; RC100ZHxEA,SWRCH10A,M8	SA	1
14	2	A2803	DB90-05918B	ASSY BRACKET MOTOR; RC100DHxEA,R410A	SA	1
15	2	S0018	DB60-30028A	NUT-FLANGE; HWH,M8,ZPC(WHT),SWRCH18A,P1.2	SA	3
16	2		DB96-16642C	ASSY VALVE; AC036MXSCCC/AA	SNA	1
16-1	3		DB90-05874C	ASSY BRACKET-VALVE; RC100DHxEA,T1.2, UB	SA	1
16-2	3	A0045	DB96-16647C	ASSY TUBE SUCTION; AC036MXSCCC/AA	SA	1
16-2-1	4	Z0161	DB62-09658A	VALVE SERVICE-SPINDLE; .,5/8",R410A, FLAR	SA	1
16-2-2	4	A0316	DB96-14716A	ASSY-ACCUMULATOR; RC100PHxEA,1600CC	SA	1
16-2-3	4		DB67-70011E	WEIGHT-RUBBER; NR,OD36	SA	1
16-3	3		DB96-14885C	ASSY TUBE EEV; AC036MXSCCC/AA	SA	1
16-3-1	4		DB62-11374A	VALVE EXPAN; T-type,1.8,500	SA	1
16-3-2	4	Z0163	DB62-09654A	VALVE SERVICE-SPINDLE; FLARE,R410A,9.52	SA	1
16-3-3	4		DB62-11421D	VALVE COIL EXPAN; DC12V,COIL,1000mm,MOLDI	SA	1
17	2	A2757	DB96-16645B	ASSY TUBE DISCHARGE; AC036KXADEC/TL	SA	1
17-1	3		DB67-70011C	WEIGHT-RUBBER; NR,BLACK	SA	1
17-2	3		DB67-00903A	WEIGHT-RUBBER; DVM-PLUS3,NR,OD47pi,12.7PI	SNA	1
18	2	A3096	DB93-16644A	ASSY CONTROL OUT; AC036MXSCCC/AA	SNA	1
19	2	A0590	DB96-15469A	ASSY COND OUT; RC100DHxEA,INV	SA	1
20	2		DB98-35035A	ASSY PACKING ACCESSORY; AM040HXMFGH/ID,DV	SNA	1
20-1	3	Z0165	DB63-10355C	CAP-DRAIN; CR,T2,BLACK,ASH-1814ER	SA	3

No.	Lvl.	Loc.	Material Code	Description & Specification	SNA	Qty.
20-2	3	D0116	DB67-00806A	DRAIN-PLUG OUT; UH140GAV,PE,WHITE,ME8000	SA	1
20-3	3	Z0166	DB73-20134A	RUBBER-LEG; V2-MD,NR,55	SA	4
21	2	S0242	DB81-00635A	SPRING ETC-SENSOR; DVM-SYSTEM,STS304,R2.5	SA	2
22	2		DB63-03164A	CLOTH-COMP TOP; EVAR/FELT,T11.5,GRAY	SA	1
23	2		UG8T300FUBJUSG	RCP,COMP,CPR,,R410A; RCP,COMP,CPR,,R410A		1
24	2	A0092	DB90-05873S	ASSY BASE OUT; AC036MXSCCC/AA	SA	1
25	2		DB94-05673A	ASSY FAN PROPELLER-TOTAL; AC125JXSCGH/EU,	SA	1
25-1	3		DB94-03277B	ASSY FAN PROPELLER; MAN-U,520 PI, NATURAL	SC	1
25-2	3		DB63-03713A	COVER; AC125JXSCGH,PP,EU,NATURAL,HG52M,NO	SNA	1
26	2		DB63-02954A	CLOTH-COMP SIDE; GLOBAL 4WAY,EVAR/FELT,T1	SA	1
27	2		DB47-00073C	HEATER COMP-BELT; AC230V,20,360,800,MG614	SA	1
28	2		DB92-04292A	ASSY DAMPER-GROMMET; AC036MXSCCC/AA	SA	3
29	2		DB61-00533A	HOLDER-CLAMP COND; RVXMHF050GA,GI-SGCC,T0	SNA	1
30	2		DB90-02316E	ASSY HOLDER-PLATE COND; RC100PHXEA	SNA	2

2. ASSY CONTROL OUT

Exploded View



Parts List

No.	Lvl.	Loc.	Material Code	Description & Specification	SNA	Qty.
18	2	A3096	DB93-16644A	ASSY CONTROL OUT; AC036MXSCCC/AA	SNA	1
18-1	3		DB27-00118A	COIL HARMONIC; 2mH,20A,TAB Type	SA	2
18-2	3		DB61-04502D	CASE-EMI; RC090MHXEA,HIPS,NATURAL,VE-1877	SA	1
18-3	3		DB65-00296A	TERMINAL BLOCK-POWER 4P; RC140DHXEA,PC/PB	SA	1
18-4	3		DB90-07578F	ASSY CASE PCB; AC036MXSCCC/AA	SNA	1
18-4-1	4		DB61-05743A	CASE-PCB; AM053FXMDCH/AA,HIPS,T2.0,141.9,	SA	1
18-4-2	4	A2748	DB92-03310D	ASSY PCB MAIN; OUTDOOR MAIN,LOW_AMBIENT,1	SA	1
18-4-3	4		DB93-12483A	ASSY PCB SUB-EEPROM; SUB,DVMPPLUS4 UP,20*2	SA	1
18-5	3		DB92-03689C	ASSY KIT; E1 PF#4,LOW_AMBIENT,Standard	SNA	1
18-5-1	4	A2876	DB91-00306A	ASSY-SCREW MACHINE; BLDC INV. CONTROLLER,	SA	2
18-5-2	4		DB92-03686E	ASSY PCB INVERTER; INVERTER,CAC/PAC,242*1	SA	1
18-5-3	4	A2876	DB91-00307A	ASSY-SCREW MACHINE; WW-INV,M4*16,WSP,PH,+	SA	2
18-5-4	4		0205-000178	GREASE-SILICON; YG6111,WHITE, for assembl	SA	0
18-5-5	4		DB61-06473A	CASE PCB; AC145JX4PHH1,ABS,COOL WHITE	SA	1
18-5-6	4	H0034	DB62-12093A	HEAT SINK; NEW PLATFORM #4,A1,10,200,192,	SA	1
18-6	3	A2934	DB93-04273B	ASSY CONNECTOR WIRE-COMM; 6,2095,26,BLU,S	SA	1
18-7	3	Z0154	DB93-10809A	ASSY CONNECTOR WIRE-EMI TO MAIN POWER; 2	SA	1
18-8	3	A3096	DB93-10966Q	ASSY CONTROL OUT; HP,Inv,14.0kW,AC090JX4P	SNA	1
18-8-1	4	T0179	DB65-00274A	TERMINAL BLOCK; TERMINAL BLOCK,Polycarbon	SA	1
18-8-2	4		DB90-05889C	ASSY CASE CONTROL; AC090JX4PBH1,ManU	SA	1
18-8-3	4	A0646	DB93-08805B	ASSY CONNECTOR WIRE-EARTH; 1,1015,18,YEL/	SA	1
18-8-4	4	A2934	DB93-10808J	ASSY CONNECTOR WIRE-COMM; 2,1015,22,RED,Y	SA	1
18-9	3	A1781	DB93-11110A	ASSY PCB SUB-EMI; SUB,GLOBAL 4WAY,230*90,	SA	1
18-9-1	4	A0664	DB93-10870B	ASSY CONNECTOR WIRE-POWER; 2,1015,12,BRN,	SA	1
18-9-2	4	A0664	DB93-10872A	ASSY CONNECTOR WIRE-POWER; 3,1015,12,BRN,	SA	1
18-10	3	A0664	DB93-13687A	ASSY CONNECTOR WIRE-POWER; 2,1015,12,BRN,	SA	1

Exploded Views and Parts List

No.	Lvl.	Loc.	Material Code	Description & Specification	SNA	Qty.
18-11	3	A2610	DB93-15686A	ASSY CONNECTOR WIRE-REACTOR; 2,3343,12,BL	SA	2
18-12	3		DB93-16578A	ASSY CONNECTOR WIRE-HEATER; 2,3321,18,BLK	SA	1