

Samsung "Max Heat" FJM Series, 3 Port Condensing Unit

Job Name _____
 Purchaser _____
 Submitted to _____
 Unit Designation _____

Location _____
 Engineer _____
 Reference _____ Approval _____ Construction _____
 Schedule # _____

Model	US Code	JXH20S3T		
	Model Number	AJ020TXS3CH/AA		
Performance*	Capacity (standard / max.)	Cooling (Btu/h)	21,000 / 21,000	
		Heating (Btu/h)	22,000 / 22,000	
	Heating Capacity at 5°F OA, 70° Indoor DB (Btu/h)		22,000	
	Heating Capacity at -13°F OA, 70° Indoor DB (Btu/h)		15,380	
	Minimum Cooling Capacity (Btu/h)		7,000	
	Minimum Heating Capacity (Btu/h)		7,500	
	SEER (Ducted / Mixed / Non-ducted)		15.5 / 16.75 / 18.0	
	EER (Ducted / Mixed / Non-ducted)		11.4 / 12.45 / 13.5	
	HSPF (Ducted / Mixed / Non-ducted)		9.5 / 9.75 / 10.0	
Power	Voltage	(ø)V/Hz	1 / 208-230 / 60	
	Rated Current (amps) ¹	Cooling (low / std. / max.)	2.9 / 7.4 / 7.4	
		Heating (low / std. / max.)	2.2 / 7.7 / 7.7	
	Max. Breaker	Amps	30	
	Minimum Circuit Ampacity (A)		25.5	
Dimensions	W X H X D	Inches	37 x 39 5/16 x 13	
	Weight	lbs.	170.9	
Noise Level	Cooling	dB (A)	54	
	Heating	dB (A)	58	
Operating Temperatures	Cooling		14 ~ 114.8°F (-10 ~ 46.0°C)	
	Heating		-13 ~ 75°F (-25 ~ 24.0°C)	
Pipe Connections	High Side		1/4" X 3	
	Low Side (suction)		3/8" X 3	
	Maximum Individual Line Set Length		82 ft	
	Maximum Line Set Length (total)		164 ft	
	Maximum Vertical Separation	Outdoor to Indoor		49 ft
		Highest to lowest indoor		25 ft
Included Pipe Adapters		1 - 3/8" X 1/2"		
Condenser Fan	Motor		BLDC With Propeller Fan (1)	
	Output	Watts / FLA	125 / 1.28	
		CFM	2,493	
Compressor	Type		Twin BLDC Rotary Inverter	
	RLA	Amps	18.4	
Heat Exchanger	Type		Aluminum Fin - Copper Tube	
	Rows		2	
Refrigerant	Type		R410A	
	Control Method		Electronic Expansion Valve	
	Factory Charge		119.9 oz	
	Charged for		131 ft	
	Additional Refrigerant		0.22 oz/ft over 131 ft	
Accessories	Wall Bracket		CKN-250	
	Wind Baffle	Front	WBF-2M-B	
		Back	WBB-11M	
Certifications	Safety		ETL (UL 1995)	
	AHRI Certification Number	Non-Ducted	205291856	
		Ducted	205236964	
		Mixed	205343314	
ENERGY STAR® Certification		Applies to AHRI non ducted listing		
Warranty	10 Years compressor, 10 year parts, 1 year limited labor (registration required)			



General Information

- The Samsung Max Heat system shall provide high heating capacity at -13°F outside temperature
- The outdoor unit shall supply power individually to the indoor units via 14 AWG X 3 power wire
- The outdoor unit shall have a base pan heater as standard to ensure optimal defrost cycle water drainage
- Auto-restart after power loss
- Available maximum current setting option to reduce operating current.
- System energy consumption can be viewed using Samsung SmartThings mobile app (not revenue grade, for reference only).
- Soft-start to reduce current demand during compressor start
- Optional snow accumulation prevention setting to prevent snow drifting against idle outdoor units
- Auto or manual addressing of indoor units

Construction

- The outdoor unit shall be galvanized steel with a baked on powder coated finish for durability

Heat Exchanger

- The heat exchanger shall be mechanically bonded fin to copper tube

Controls

- Control signal shall be a DDC type signal
- Interconnect control wire between outdoor and indoor units shall be 16AWG X 2
- Controls shall integrate with a BMS system
- The system shall integrate with the Samsung Controls solution

Refrigerant System

- The refrigerant shall be R410A
- The compressor shall be hermetically sealed, inverter controlled, Twin BLDC Rotary
- Refrigerant flow shall be controlled by 3 separate electronic expansion valves at outdoor unit

Indoor Unit Compatibility

Will only operate with Samsung evaporator model numbers:
 AR**TSFABWKNCV (RNS**ABT): 7,000 - 15,000 Btu/h models
 AR**TSFYBWKNCV (RNS**YBT): 7,000 - 15,000 Btu/h models
 AJ***TNNDCH/AA (JNH**NDT): 9,000 - 12,000 Btu/h models
 AJ***TNLDCH/AA (JNH**LDT): 9,000 - 12,000 Btu/h models
 AJ***TNJDCH/AA (JNH**JDT): 9,000 - 15,000 Btu/h models

Proper sizing and installation of equipment is critical to achieve optimal performance. Split system air conditioners and (excluding ductless systems) must be matched with appropriate coil components to meet ENERGY STAR® criteria. Ask your contractor for details or visit www.energystar.gov.

* Certified in accordance with the AHRI Unitary Small Air-Source Heat Pumps (USHP) Certification Program which is based on the latest edition of AHRI Standard 210/240. Refer to www.AHRIdirectory.org for current reference numbers.

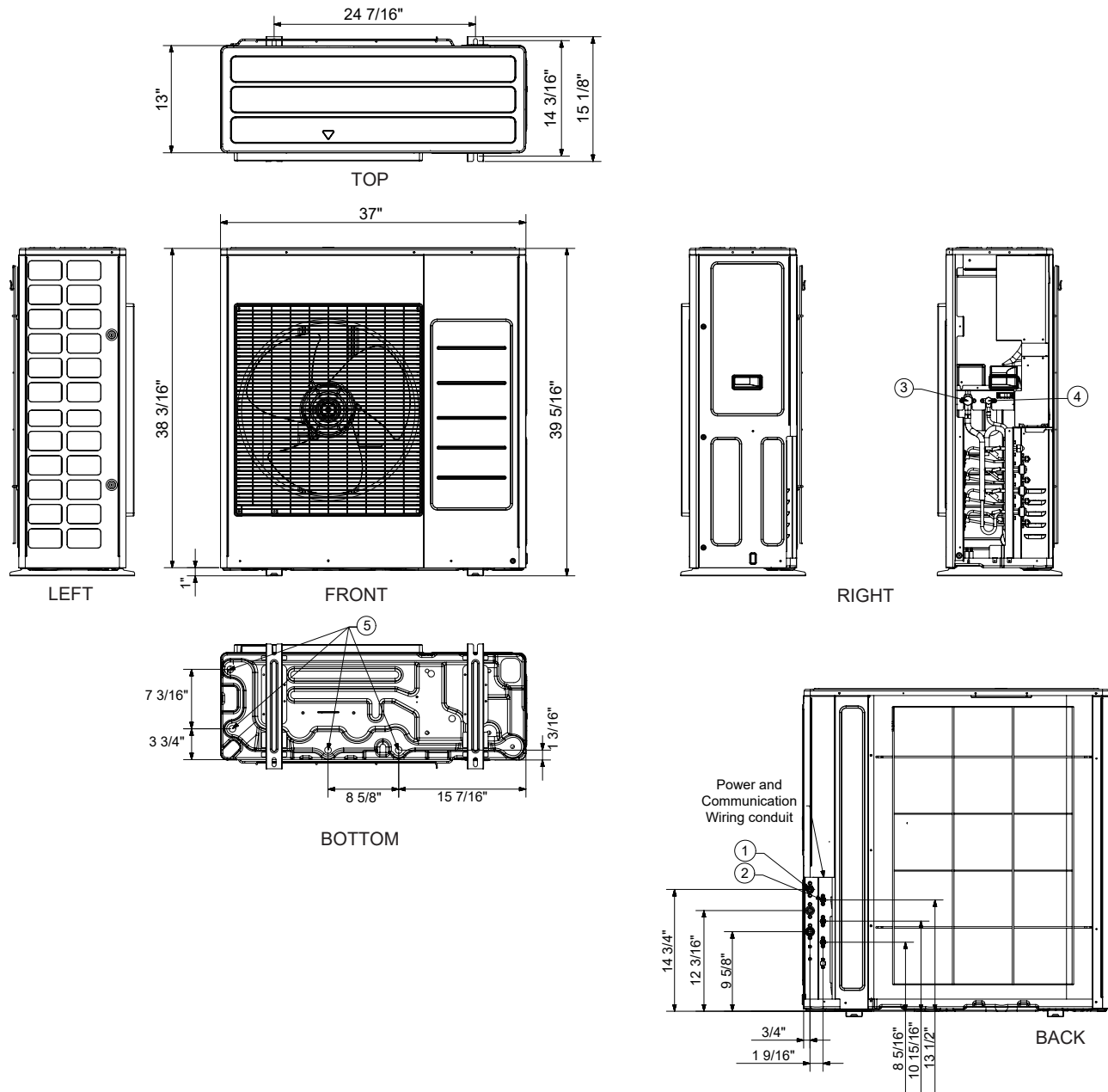
¹ Rated current is based on highest combination ratio of non-ducted indoor units.

Samsung HVAC maintains a policy of ongoing development, specifications are subject to change without notice.



Samsung "Max Heat" FJM Series, 3 Port Condensing Unit

Dimensional drawing

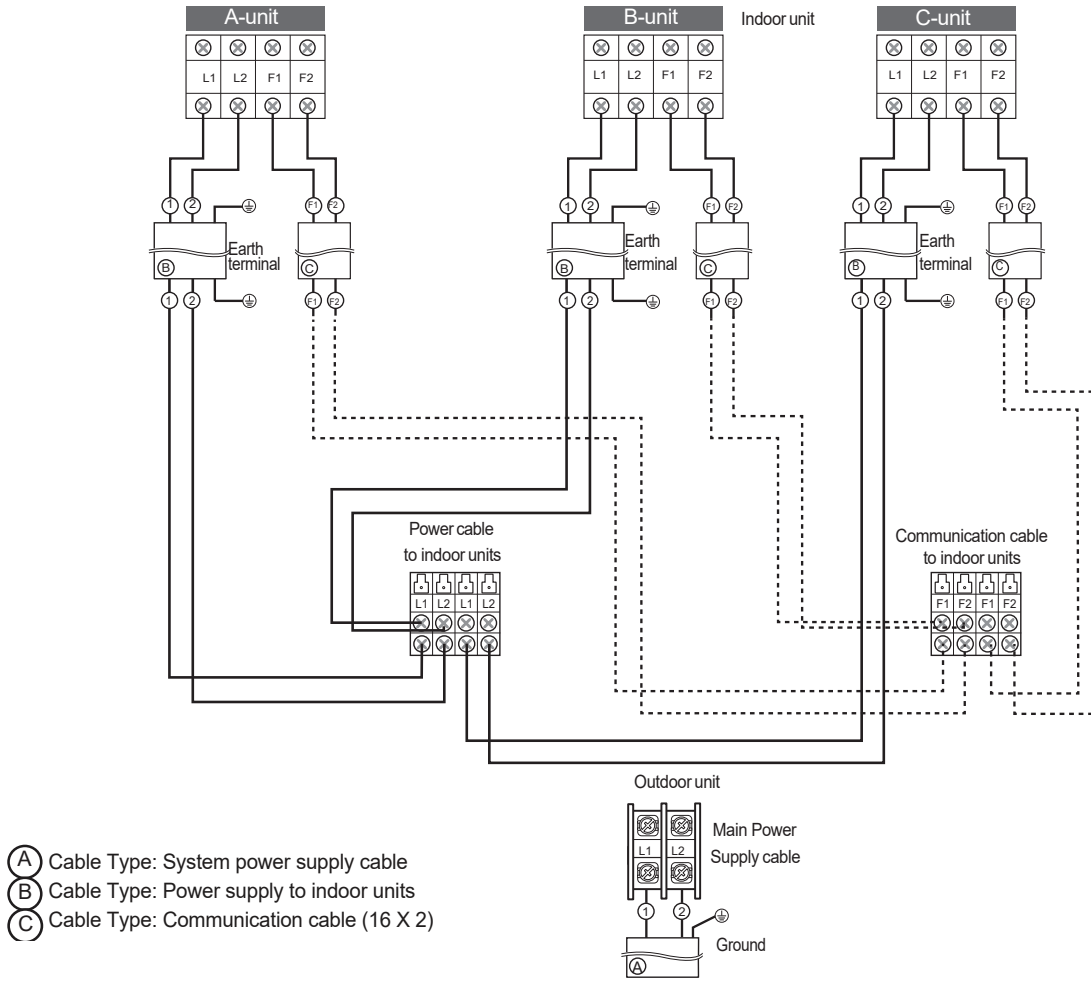


No.	Name	Description
1	Refrigerant suction pipes	ø3/8" x 3
2	Refrigerant liquid pipes	ø1/4" x 3
3	Service Valve (suction)	5/8"
4	Service Valve (liquid)	3/8"
5	Drain holes	Connection with provided drain fitting

Indoor Unit Connection Options

		Indoor unit Capacity (Btu/h)		
		A	B	C
2 Indoor Units		7,000	7,000	
		7,000	9,000	
		7,000	12,000	
		7,000	15,000	
		9,000	9,000	
		9,000	12,000	
		9,000	15,000	
		12,000	12,000	
		12,000	15,000	
3 Indoor Units		7,000	7,000	7,000
		7,000	7,000	9,000
		7,000	7,000	12,000
		7,000	9,000	9,000
		9,000	9,000	9,000

Basic Wire Connection Diagram



This simple wiring diagram is for reference only. Please refer to installation manuals for full details and requirements.