

Samsung "Max Heat" FJM Series, 4 Port Condensing Unit

Job Name _____
 Purchaser _____
 Submitted to _____
 Unit Designation _____

Location _____
 Engineer _____
 Reference _____ Approval _____ Construction _____
 Schedule # _____

Model	US Code	JXH24S4B		
	Model Number	AJ024BXS4CH/AA		
Performance*	Capacity (standard / max.)	Cooling (Btu/h)	25,000 / 25,000	
		Heating (Btu/h)	25,000 / 25,000	
	Heating Capacity at 5°F OA, 70° Indoor DB (Btu/h)		25,000	
	Heating Capacity at -13°F OA, 70° Indoor DB (Btu/h)		17,480	
	Minimum Cooling Capacity (Btu/h)		6,500	
	Minimum Heating Capacity (Btu/h)		7,500	
	SEER (Ducted / Mixed / Non-ducted)		16.0 / 17.5 / 19.0	
	EER (Ducted / Mixed / Non-ducted)		10.6 / 11.8 / 13.0	
HSPF (Ducted / Mixed / Non-ducted)		9.5 / 9.75 / 10.0		
Power	Voltage	(ø)V/Hz	1 / 208-230 / 60	
	Rated Current (amps) ¹	Cooling (A)	9.2	
		Heating (A)	8.8	
	Max. Breaker	Amps	30	
	Minimum Circuit Ampacity (A)		26.0	
Dimensions	W X H X D	Inches	37 x 39 5/16 x 13	
	Weight	lbs.	173.1	
Noise Level	Cooling	dB (A)	54	
	Heating	dB (A)	58	
Operating Temperatures	Cooling		14 ~ 114.8°F (-10 ~ 46.0°C)	
	Heating		-13 ~75°F (-25 ~ 24.0°C)	
Pipe Connections	High Side		1/4" X 4	
	Low Side (suction)		3/8" X 2 + 1/2" X 2	
	Maximum Individual Line Set Length		82 ft	
	Maximum Line Set Length (total)		230 ft	
	Maximum Vertical Separation	Outdoor to Indoor		49 ft
		Highest to lowest indoor		25 ft
Included Pipe Adapters		2 - 1/2" X 3/8"		
Condenser Fan	Motor		BLDC With Propeller Fan (1)	
	Output	Watts / FLA	125 / 1.28	
		CFM	2,493	
Compressor	Type		Twin BLDC Rotary Inverter	
	RLA	Amps	18.4	
Heat Exchanger	Type	Aluminum Fin - Copper Tube		
Refrigerant	Type	R410A		
	Control Method	Electronic Expansion Valve		
	Factory Charge	119.9 oz		
	Charged for	131 ft		
	Additional Refrigerant	0.22 oz/ft over 131 ft		
Accessories	Wall Bracket	CKN-250		
	Wind Baffle	Front	WBF-2M-B	
		Back	WBB-11M	
Certifications	Safety	ETL (UL 1995)		
	AHRI Certification Number	Non-Ducted	207349918	
		Ducted	207350081	
		Mixed	207350094	
	ENERGY STAR® Certification	Applies to AHRI non ducted listing		
Warranty	10 Years compressor, 10 year parts, 1 year limited labor (registration required)			



General Information

- The Samsung Max Heat system shall provide high heating capacity at -13°F outside temperature
- The outdoor unit shall supply power individually to the indoor units via 14 AWG X 3 power wire
- The outdoor unit shall have a base pan heater as standard to ensure optimal defrost cycle water drainage
- Auto-restart after power loss
- Available maximum current setting option to reduce operating current.
- System energy consumption can be viewed using Samsung SmartThings mobile app (not revenue grade, for reference only).
- Soft-start to reduce current demand during compressor start
- Optional snow accumulation prevention setting to prevent snow drifting against idle outdoor units
- Auto or manual addressing of indoor units

Construction

- The outdoor unit shall be galvanized steel with a baked on powder coated finish for durability

Heat Exchanger

- The heat exchanger shall be mechanically bonded fin to copper tube

Controls

- Control signal shall be a DDC type signal
- Interconnect control wire between outdoor and indoor units shall be 16AWG X 2
- Controls shall integrate with a BMS system
- The system shall integrate with the Samsung Controls solution

Refrigerant System

- The refrigerant shall be R410A
- The compressor shall be hermetically sealed, inverter controlled, Twin BLDC Rotary
- Refrigerant flow shall be controlled by 4 separate electronic expansion valves at outdoor unit

Indoor Unit Compatibility

Will only operate with Samsung evaporator model numbers:
 AR**TSFABWKNCV (RNS**ABT): 7,000 - 18,000 Btu/h models
 AR**BSFCMWKNCV (RNS**CMB): 7,000 - 18,000 Btu/h models
 AR**TSFYBWKNCV (RNS**YBT): 7,000 - 18,000 Btu/h models
 AC0**BNNDCH/AA (CNH**NDB): 9,000 - 18,000 Btu/h models
 AC0**BN1DCH/AA (CNH**1DB): 9,000 - 12,000 Btu/h models
 AC0**BNJDCH/AA (CNH**JDB): 9,000 - 18,000 Btu/h models
 AC0**BNLDCH/AA (CNH**LDB): 9,000 - 18,000 Btu/h models
 AC012BNZDCH/AA (CNH12ZDB)
 AJ0**BNHDCH/AA (JNH**HDB): 9,000 - 15,000 Btu/h models

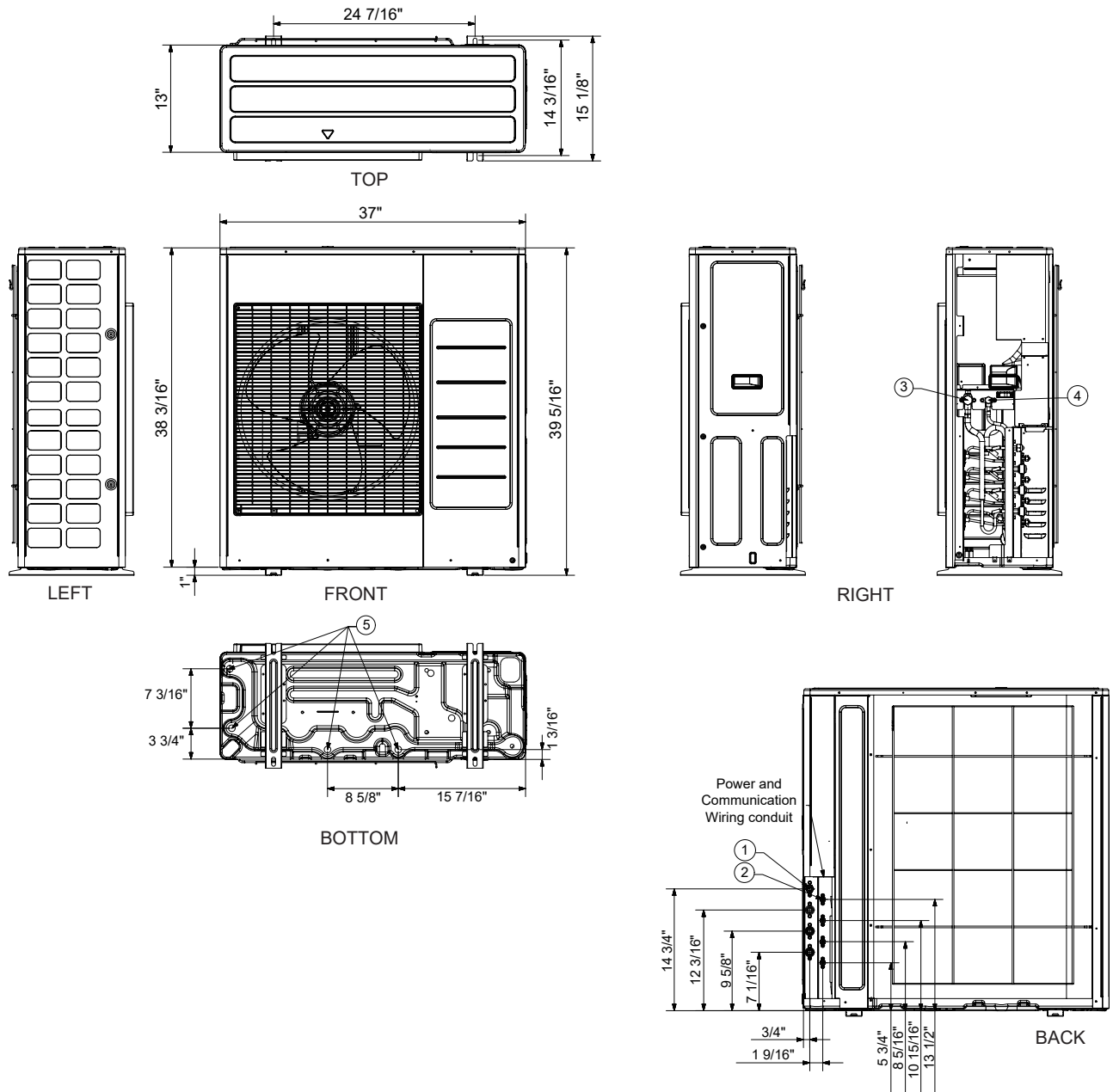
Proper sizing and installation of equipment is critical to achieve optimal performance. Split system air conditioners and (excluding ductless systems) must be matched with appropriate coil components to meet ENERGY STAR® criteria. Ask your contractor for details or visit www.energystar.gov.

* Certified in accordance with the AHRI Unitary Small Air-Source Heat Pumps (USHP) Certification Program which is based on the latest edition of AHRI Standard 210/240. Refer to www.AHRIdirectory.org for current reference numbers.

¹ Rated current is based on highest combination ratio of non-ducted indoor units.

Samsung HVAC maintains a policy of ongoing development, specifications are subject to change without notice.





No.	Name	Description
1	Refrigerant suction pipes	$\phi 3/8'' \times 2, \phi 1/2'' \times 2$
2	Refrigerant liquid pipes	$\phi 1/4'' \times 4$
3	Service Valve (suction)	5/8"
4	Service Valve (liquid)	3/8"
5	Drain holes	Connection with provided drain fitting

Indoor Unit Connection Options

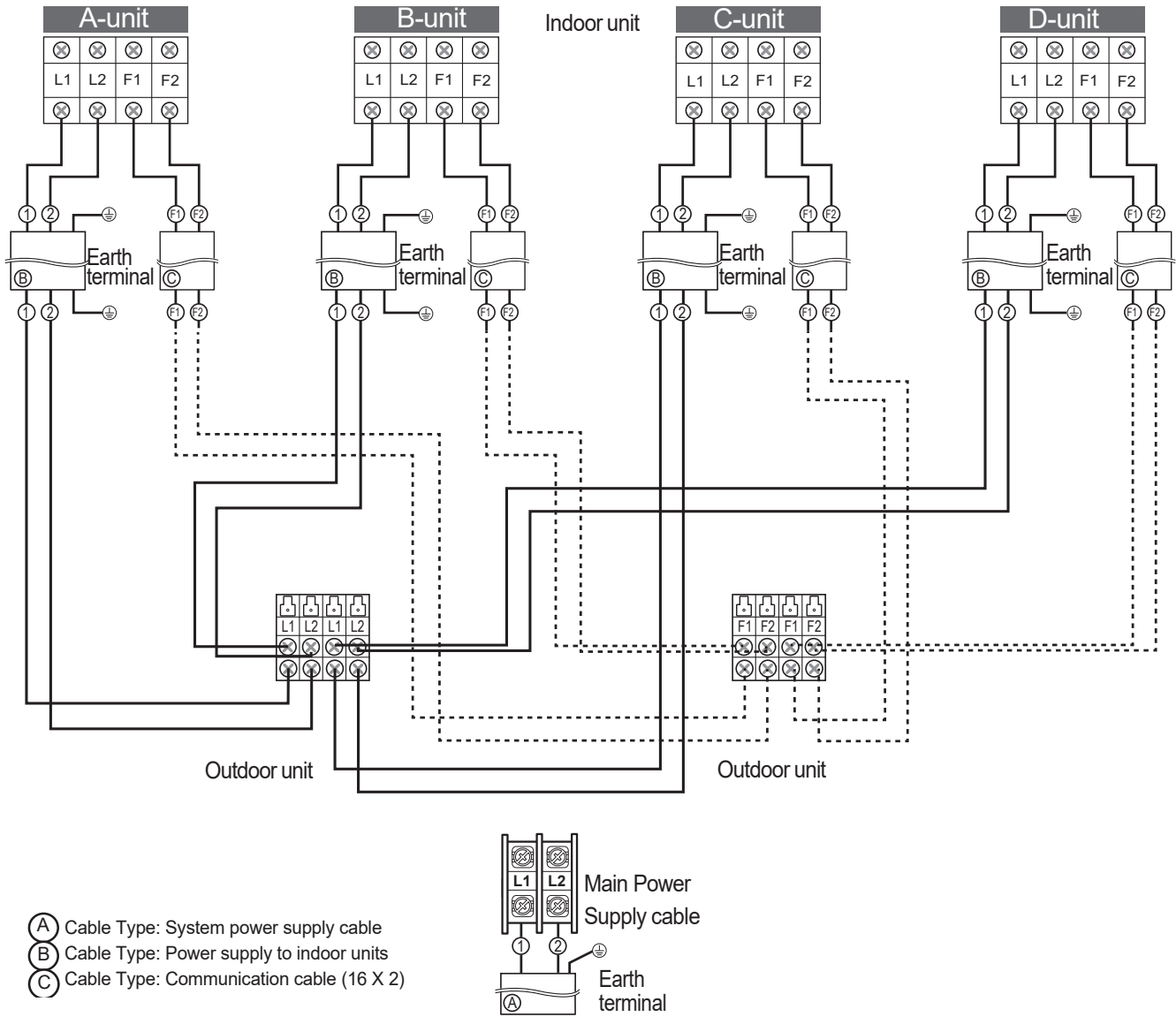
Unit Qty.	Indoor Nominal Capacity (K Btu/h)				Duct S / MPAH Compatibility*		Connected Capacity (K Btu/h)
	A	B	C	D	Duct S	MPAH	
2	7	7					14
	7	9			•		16
	7	12			•	•	19
	7	15			•		22
	7	18					25
	9	9			•		18
	9	12			•	•	21
	9	15			•		24
	9	18					27
	12	12			•	•	24
	12	15					27
	12	18					30
	15	15					30
3	7	7	7				21
	7	7	9		•		23
	7	7	12				26
	7	7	15				29
	7	7	18				32
	7	9	9				25
	7	9	12				28
	7	9	15				31
	7	12	12				31
	9	9	9				27
9	9	12				30	
4	7	7	7	7			28
	7	7	7	9			30
	7	7	9	9			32

* Combatable combination that includes 1 X MPAH (AC0**BNZDCH/AA) OR 1 X Duct S (AJ0**BNHDCH/AA) unit.

Notes

1. Only 1 X MPAH (AC0**BNZDCH/AA) OR 1 X Duct S (AJ0**BNHDCH/AA) unit can be connected to a single FJM outdoor unit.
2. Applies to outdoor units manufactured after 4/30/2022.
3. Refer to supporting technical data book (TDB) for indoor unit compatibility available at www.SamsungHVAC.com.

Basic Wire Connection Diagram



This simple wiring diagram is for reference only. Please refer to installation manuals for full details and requirements.