

## Samsung FJM Series, 4 Port Condensing Unit

Job Name \_\_\_\_\_  
 Purchaser \_\_\_\_\_  
 Submitted to \_\_\_\_\_  
 Unit Designation \_\_\_\_\_

Location \_\_\_\_\_  
 Engineer \_\_\_\_\_  
 Reference \_\_\_\_\_ Approval \_\_\_\_\_ Construction \_\_\_\_\_  
 Schedule # \_\_\_\_\_

Model	US Code	JXH36J4B		
	Model Number	AJ036BXJ4CH/AA		
Performance*	Capacity (standard / max.)	Cooling (Btu/h)	32,000 / 36,000	
		Heating (Btu/h)	36,000 / 42,000	
	Minimum Cooling Capacity (Btu/h)	6,500		
	Minimum Heating Capacity (Btu/h)	7,600		
	SEER (Ducted / Mixed / Non-ducted)	16.5 / 18.0 / 19.5		
	EER (Ducted / Mixed / Non-ducted)	9.3 / 10.9 / 12.5		
	HSPF (Ducted / Mixed / Non-ducted)	9.0 / 9.5 / 10.0		
Power	Voltage	(ø)V/Hz	1 / 208-230 / 60	
	Nominal Current <sup>1</sup>	Cooling (A)	12.2	
		Heating (A)	12.2	
	Max. Breaker	Amps	30	
	Minimum Circuit Ampacity (A)	26.0		
Dimensions	W X H X D	Inches	37 X 39 5/16 X 13	
	Weight	lbs.	168.7	
Noise Level	Cooling (Max.)	dB (A)	54	
	Heating (Max.)	dB (A)	56	
Operating Temperatures	Cooling	14 ~ 114.8°F (-10 ~ 46.0°C)		
	Heating	5 ~ 75°F (-15 ~ 24.0°C)		
Pipe Connections	High Side	1/4" X 4		
	Low Side (suction)	3/8" X 2 + 1/2" X 2		
	Maximum Individual Line Set Length	82 ft		
	Maximum Line Set Length (total)	230 ft		
	Maximum Vertical Separation	Outdoor to Indoor	49 ft	
		Highest to Lowest Indoor	25 ft	
Included Pipe Adapter	2 - 1/2" X 3/8", 2 - 1/2" X 5/8"			
Condenser Fan	Motor	BLDC With Propeller Fan (1)		
	Output	Watts / FLA	125 / 1.28	
		CFM	2,493	
Compressor	Type	Twin BLDC Rotary Inverter		
	RLA	Amps	18.4	
Heat Exchanger	Type	Aluminum Fin - Copper Tube		
Refrigerant	Type	R410A		
	Control Method	Electronic Expansion Valve		
	Factory Charge	109.3 oz		
	Charged for	131 ft		
Additional Refrigerant	0.22 oz/ft over 131 ft			
Accessories	Wall Bracket	CKN-250		
	Wind Baffle	Front	WBF-2M-B	
		Back	WBB-11M	
Certifications	Safety	ETL (UL 1995)		
	AHRI Certification Number	Non-Ducted	207349916	
		Ducted	207350072	
		Mixed	207350090	



- Auto or manual addressing of indoor units
- The outdoor unit shall supply power individually to the indoor units via 14 AWG X 3 power wire
- Soft-start to reduce current demand during compressor start
- Auto-restart after power loss
- System can be set up as heating/cooling, cooling only, or heating only via outdoor unit option setting.
- Available maximum current setting option to reduce maximum operating current.
- System energy consumption can be viewed using Samsung SmartThings mobile app (not revenue grade, for reference only).

### Construction

The outdoor unit shall be galvanized steel with abaked on powder coated finish for durability

### Heat Exchanger

The heat exchanger shall be mechanically bonded fin to copper tube

### Controls

Control signal shall be a DDC type signal

Interconnect control wire between outdoor and indoor units shall be 16AWG X 2

The system shall integrate with the Samsung Controls Solution without the use of an interface module.

### Refrigerant System

The refrigerant shall be R410A

The compressor shall be hermetically sealed, inverter controlled, Twin BLDC Rotary

Refrigerant flow shall be controlled by 4 separate electronic expansion valves at outdoor unit

### Compatibility

Will only operate with Samsung evaporator model numbers:  
 AR\*\*TSFABWKNCV (RNS\*\*ABT): 7,000 - 24,000 Btu/h models  
 AR\*\*BSFCMWKNCV (RNS\*\*CMB): 7,000 - 24,000 Btu/h models  
 AR\*\*TSFYBWKNCV (RNS\*\*YBT): 7,000 - 24,000 Btu/h models  
 AC0\*\*BNNDCH/AA (CNH\*\*NDB): 9,000 - 18,000 Btu/h models  
 AC0\*\*BN1DCH/AA (CNH\*\*1DB): 9,000 - 12,000 Btu/h models  
 AC0\*\*BNJDCH/AA (CNH\*\*JDB): 9,000 - 18,000 Btu/h models  
 AC0\*\*BNLDCH/AA (CNH\*\*LDB): 9,000 - 18,000 Btu/h models  
 AC0\*\*BNZDCH/AA (CNH\*\*ZDB): 12,000 - 24,000 Btu/h models  
 AJ0\*\*BNHDCH/AA (JNH\*\*HDB): 9,000 - 18,000 Btu/h models

Proper sizing and installation of equipment is critical to achieve optimal performance. Split system air conditioners and (excluding ductless systems) must be matched with appropriate coil components to meet ENERGY STAR® criteria. Ask your contractor for details or visit [www.energystar.gov](http://www.energystar.gov).

\* Certified in accordance with the AHRI Unitary Small Air-Source Heat Pumps (USHP) Certification Program which is based on the latest edition of AHRI Standard 210/240. Refer to [www.ahridirectory.org](http://www.ahridirectory.org) for current reference numbers.

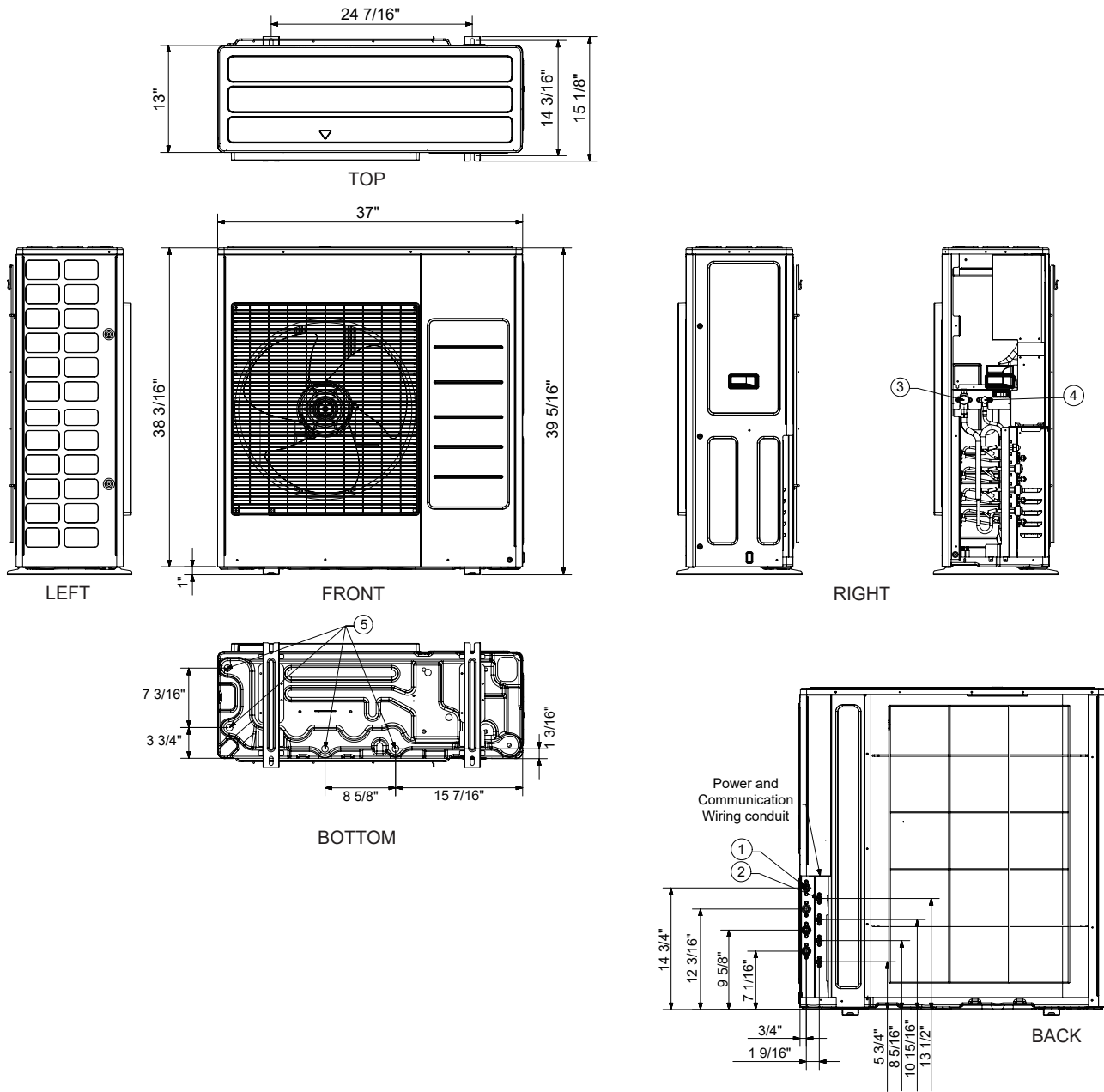
<sup>1</sup> Rated current is based on highest combination ratio of non-ducted indoor units.

Samsung HVAC maintains a policy of ongoing development, specifications are subject to change without notice.



Samsung FJM, 4 Port Condensing Unit

Dimensional drawing



No.	Name	Description
1	Refrigerant suction pipes	ø3/8" x 1, ø1/2" x 3
2	Refrigerant liquid pipes	ø1/4" x 4
3	Service Valve (suction)	5/8"
4	Service Valve (liquid)	3/8"
5	Drain holes	Connection with provided drain fitting

## Samsung FJM, 4 Port Condensing Unit

Indoor unit connection options

## Indoor Unit Connection Options

		Indoor unit Capacity (Btu/h)			
		A	B	C	D
2 Indoor Units	7,000	7,000			
	7,000	9,000			
	7,000	12,000			
	7,000	15,000			
	7,000	18,000			
	7,000	24,000			
	9,000	9,000			
	9,000	12,000			
	9,000	15,000			
	9,000	18,000			
	9,000	24,000			
	12,000	12,000			
	12,000	15,000			
	12,000	18,000			
	12,000	24,000			
	15,000	15,000			
	15,000	18,000			
	15,000	24,000			
	18,000	18,000			
	18,000	24,000			
3 Indoor Units	7,000	7,000	7,000		
	7,000	7,000	9,000		
	7,000	7,000	12,000		
	7,000	7,000	15,000		
	7,000	7,000	18,000		
	7,000	7,000	24,000		
	7,000	9,000	9,000		
	7,000	9,000	12,000		
	7,000	9,000	15,000		
	7,000	9,000	18,000		
	7,000	9,000	24,000		
	7,000	12,000	12,000		
	7,000	12,000	15,000		
	7,000	12,000	18,000		
	7,000	12,000	24,000		
	7,000	15,000	15,000		
	7,000	15,000	18,000		
	7,000	15,000	24,000		
	7,000	18,000	18,000		
	9,000	9,000	9,000		
	9,000	9,000	12,000		
	9,000	9,000	15,000		
	9,000	9,000	18,000		
	9,000	9,000	24,000		
	9,000	12,000	12,000		
	9,000	12,000	15,000		
	9,000	12,000	18,000		
	9,000	12,000	24,000		
9,000	15,000	15,000			
9,000	15,000	18,000			
9,000	15,000	24,000			
12,000	12,000	12,000			
12,000	12,000	15,000			
12,000	12,000	18,000			
12,000	12,000	24,000			
12,000	15,000	15,000			
12,000	15,000	18,000			
12,000	15,000	24,000			
15,000	15,000	15,000			

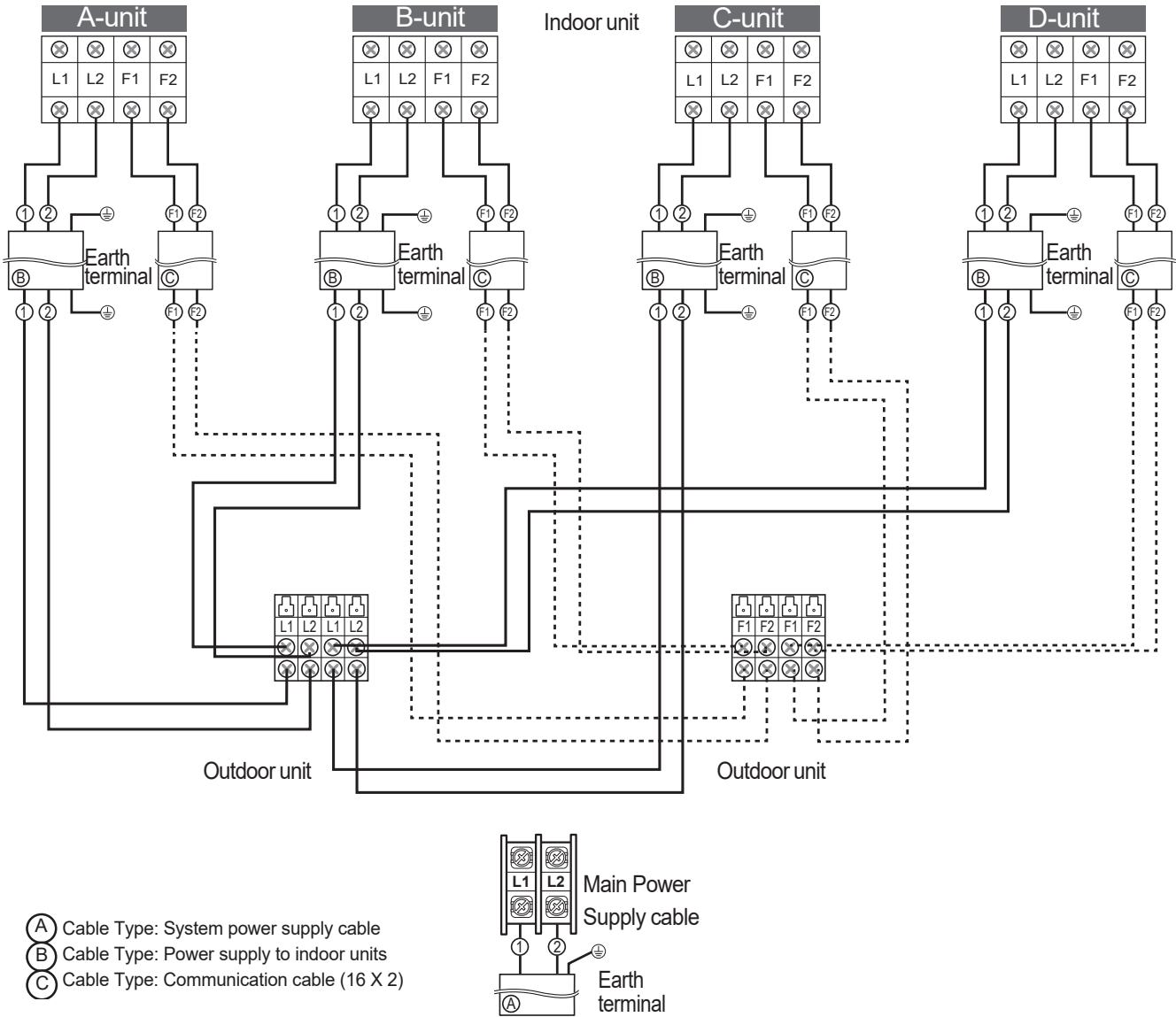
		Indoor unit Capacity (Btu/h)			
		A	B	C	D
4 Indoor Units	7,000	7,000	7,000	7,000	
	7,000	7,000	7,000	9,000	
	7,000	7,000	7,000	12,000	
	7,000	7,000	7,000	15,000	
	7,000	7,000	7,000	18,000	
	7,000	7,000	7,000	24,000	
	7,000	7,000	9,000	9,000	
	7,000	7,000	9,000	12,000	
	7,000	7,000	9,000	15,000	
	7,000	7,000	9,000	18,000	
	7,000	7,000	12,000	12,000	
	7,000	7,000	12,000	15,000	
	7,000	7,000	12,000	18,000	
	7,000	7,000	15,000	15,000	
	7,000	9,000	9,000	9,000	
	7,000	9,000	9,000	12,000	
	7,000	9,000	9,000	15,000	
	7,000	9,000	9,000	18,000	
	7,000	9,000	12,000	12,000	
	7,000	9,000	12,000	15,000	
	7,000	12,000	12,000	12,000	
	9,000	9,000	9,000	9,000	
	9,000	9,000	9,000	12,000	
	9,000	9,000	9,000	15,000	
	9,000	9,000	9,000	18,000	
	9,000	9,000	12,000	12,000	
	9,000	9,000	12,000	15,000	
	9,000	12,000	12,000	12,000	

Must have a minimum of 2 indoor units connected. Will only operate with Samsung evaporator model numbers listed below:

AR\*\*TSFABWKNCV (RNS\*\*ABT): 7,000 - 24,000 Btu/h models  
 AR\*\*BSFCMWKNCV (RNS\*\*CMB): 7,000 - 24,000 Btu/h models  
 AR\*\*TSFYBWKNCV (RNS\*\*YBT): 7,000 - 24,000 Btu/h models  
 AC0\*\*BNNDCH/AA (CNH\*\*NDB): 9,000 - 24,000 Btu/h models  
 AC0\*\*BN1DCH/AA (CNH\*\*1DB): 9,000 - 12,000 Btu/h models  
 AC0\*\*BNJDCH/AA (CNH\*\*JDB): 9,000 - 18,000 Btu/h models  
 AC0\*\*BNLDCH/AA (CNH\*\*LDB): 9,000 - 18,000 Btu/h models  
 AC0\*\*BNZDCH/AA (CNH\*\*ZDB): 12,000 - 24,000 Btu/h models  
 AJ0\*\*BNHDCH/AA (JNH\*\*HDB): 9,000 - 18,000 Btu/h models

**ATTENTION:** When connecting MPAH (AC0\*\*BNZDCH/AA) and Duct S (AJ0\*\*BNHDCH/AA) indoor units the sum of the connected indoor unit capacity is reduced. Other conditions apply. Refer to engineering manuals/technical data books and installation manuals for more information.

## Basic Wire Connection Diagram



This simple wiring diagram is for reference only. Please refer to installation manuals for full details and requirements.