

Air conditioner

Installation manual

AJ***BXS*CH / AJ***BXJ*CH

- Thank you for purchasing this Samsung air conditioner.
- Before operating this unit, please read this manual carefully and retain it for future reference.



SAMSUNG

Contents

Safety Information	3
General information	3
Installing the unit	4
Power supply line, fuse or circuit breaker	4
Installation Procedure	5
Step 1 Choosing the installation location	5
Step 2 Checking and preparing accessories and tools	7
Step 3 Fixing the outdoor unit in place	8
Step 4 Connecting the power cables, communication cable, and controllers	8
Step 5 Optional: Extending the power cable	15
Step 6 Connecting the refrigerant pipe	17
Step 7 Optional: Cutting and flaring the pipes	19
Step 8 Connecting refrigerant pipes and vacuuming	20
Step 9 Performing the gas leak test	21
Step 10 Adding refrigerant (R-410A)	22
Step 11 Connecting the drain hose to the outdoor unit	22
Step 12 Checking the earthing	23
Step 13 Setting an indoor unit address and installation option	23
Step 14 Cool and Heat modes operation test	34
Step 15 Optional: Setting to Cool or Heat only mode	34
Extra procedures	35
Pumping down refrigerant	35
Relocating the indoor and outdoor units	35
Using the stop valve	35
Appendix	37
Troubleshooting	37

IMPORTANT – This product has been designed and manufactured to meet ENERGY STAR criteria for energy efficiency when matched with appropriate coil components.
However, proper refrigerant charge and proper air flow are critical to achieve rated capacity and efficiency.
Installation of this product should follow the manufacturer's refrigerant charging and air flow instructions.
Failure to confirm proper charge and airflow may reduce energy efficiency and shorten equipment life.

Safety Information

California Proposition 65 Warning (US)

 **WARNING:** Cancer and Reproductive Harm - www.P65Warnings.ca.gov.

WARNING

- Hazards or unsafe practices that may result in severe personal injury or death.

CAUTION

- Hazards or unsafe practices that may result in minor personal injury or property damage.

Carefully follow the precautions listed below because they are essential to guarantee the safety of the equipment.

WARNING

- Always disconnect the air conditioner from the power supply before servicing it or accessing its internal components.
- Verify that installation and testing operations are performed by qualified personnel.
- Verify that the air conditioner is not installed in an easily accessible area.

General information

WARNING

- Carefully read the content of this manual before installing the air conditioner and store the manual in a safe place in order to be able to use it as reference after installation.
- For maximum safety, installers should always carefully read the following warnings.
- Store the operation and installation manual in a safe location and remember to hand it over to the new owner if the air conditioner is sold or transferred.
- This manual explains how to install an indoor unit with a split system with two SAMSUNG units. The use of other types of units with different control systems may damage the units and invalidate the warranty. The manufacturer shall not be responsible for damages arising from the use of non compliant units.

- The manufacturer shall not be responsible for damage originating from unauthorized changes or the improper connection of electric and requirements set forth in the "Operating limits" table, included in the manual, shall immediately invalidate the warranty.
- The air conditioner should be used only for the applications for which it has been designed: the indoor unit is not suitable to be installed in areas used for laundry.
- Do not use the units if damaged. If problems occur, switch the unit off and disconnect it from the power supply.
- In order to prevent electric shocks, fires or injuries, always stop the unit, disable the protection switch and contact SAMSUNG's technical support if the unit produces smoke, if the power cable is hot or damaged or if the unit is very noisy.
- Always remember to inspect the unit, electric connections, refrigerant tubes and protections regularly. These operations should be performed by qualified personnel only.
- The unit contains moving parts, which should always be kept out of the reach of children.
- Do not attempt to repair, move, alter or reinstall the unit. If performed by unauthorized personnel, these operations may cause electric shocks or fires.
- Do not place containers with liquids or other objects on the unit.
- All the materials used for the manufacture and packaging of the air conditioner are recyclable.
- The packing material and exhaust batteries of the remote controller (optional) must be disposed of in accordance with current laws.
- The air conditioner contains a refrigerant that has to be disposed of as special waste. At the end of its life cycle, the air conditioner must be disposed of in authorized centers or returned to the retailer so that it can be disposed of correctly and safely.
- Wear protective equipment (such as safety gloves, goggles, and headgear) during installation and maintenance works. Installation/repair technicians may be injured if protective equipment is not properly equipped.

Safety Information

- This appliance is not intended for use by persons (including children) with reduced physical, sensory or mental capabilities, or lack of experience and knowledge, unless they have been given supervision or instruction concerning use of the appliance by a person responsible for their safety. Children should be supervised to ensure that they do not play with the appliance.
- Make sure that the condensed water runs well out of the unit at low ambient temperature. Drain pipe and cond heater can frost/ice can not grow. If drain work is not effective for releasing condensed water, it can make the units get damaged by massive ice and system can be stop, covered by ice. (For AJ***BXS*CH models)
- Do not disassemble and alter the heater at your own discretion. (For AJ***BXS*CH models)

Installing the unit

WARNING

IMPORTANT: When installing the unit, always remember to connect first the refrigerant tubes, then the electrical lines.

- Connecting one indoor unit to this product is prohibited.
- Upon receipt, inspect the product to verify that it has not been damaged during transport. If the product appears damaged, DO NOT INSTALL it and immediately report the damage to the carrier or retailer (if the installer or the authorized technician has collected the material from the retailer.)
- After completing the installation, always carry out a functional test and provide the instructions on how to operate the air conditioner to the user.
- Do not use the air conditioner in environments with hazardous substances or close to equipment that release free flames to avoid the occurrence of fires, explosions or injuries.
- Our units should be installed in compliance with the spaces shown in the installation manual, to ensure accessibility from both sides and allow repairs or maintenance operations to be carried out. The unit's components should be accessible and easy to disassemble without endangering people and objects.
- For this reason, when provisions of the installation manual are not complied with, the cost required to access and repair the units (in SAFETY CONDITIONS, as set out in prevailing regulations) with harnesses, ladders, scaffolding or any other elevation system will NOT be considered part of the warranty and will be charged to the end customer.

Power supply line, fuse or circuit breaker

WARNING

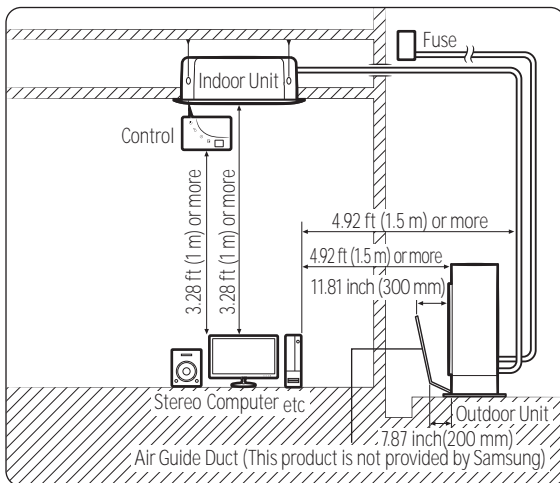
- Always make sure that the power supply is compliant with current safety standards. Always install the air conditioner in compliance with current local safety standards.
- Always verify that a suitable earthing connection is available.
- Verify that the voltage and frequency of the power supply comply with the specifications and that the installed power is sufficient to ensure the operation of any other domestic appliance connected to the same electric lines.
- Always verify that the cut-off and protection switches are suitably dimensioned.
- Verify that the air conditioner is connected to the power supply in accordance with the instructions provided in the wiring diagram included in the manual.
- Always verify that electric connections (cable entry, section of leads, protections...) are compliant with the electric specifications and with the instructions provided in the wiring scheme. Always verify that all connections comply with the standards applicable to the installation of air conditioners.
- Devices disconnected from the power supply should be completely disconnected in the condition of overvoltage category.
- Be sure not to perform power cable modification, extension wiring, and multiple wire connection.
 - It may cause electric shock or fire due to poor connection, poor insulation, or current limit override.
 - When extension wiring is required due to power line damage, refer to "Step 5 Optional: Extending the power cable" in the installation manual.

Installation Procedure

Step 1 Choosing the installation location

Installation location requirements

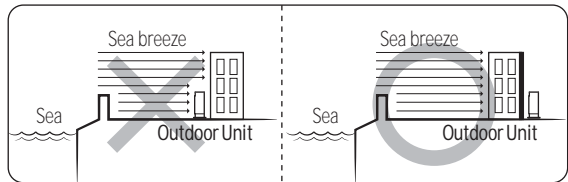
- Do not place the outdoor unit on its side or upside down. Failing to do so may cause the compressor lubrication oil to run into the cooling circuit and lead to serious damage to the unit.
- Install the unit in a well-ventilated location away from direct sunlight or strong winds.
- Install the unit in a location that would not obstruct any passageways or thoroughfares.
- Install the unit in a location that would not inconvenience or disturb your neighbors, as they could be affected by the noise or the airflow coming from the unit.
- Install the unit in a location where the pipes and the cables can be easily connected to the indoor unit.
- Install the unit on a flat, stable surface that can withstand the weight of the unit. Otherwise, the unit can generate noise and vibration during operation.
- Install the unit so that the air flow is directed towards the open area.
- Maintain sufficient clearance around the outdoor unit, especially from a radio, computer, stereo system, etc.



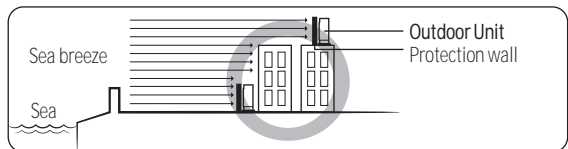
- Install the unit at a height where its base can be firmly fixed in place.
- Make sure that the water dripping from the drain hose runs away correctly and safely.

⚠ CAUTION

- You have just purchased a system air conditioner and it has been installed by your installation specialist.
- This device must be installed according to the national electrical rules.
- If your outdoor unit exceeds a net weight of 132.2 lb (60 kg), do not install it on a suspended wall, but stand it on a floor.
- The reliability of our product cannot be guaranteed under conditions of -13 °F (-25 °C) or less.
- When installing the outdoor unit at the seaside, make sure that it is not directly exposed to sea breeze. If you cannot find an adequate place free from direct sea breeze, construct a protection wall or a protective fence.
 - Install the outdoor unit in a place (such as near buildings etc.) where it can be prevented from sea breeze. Failure to do so may cause a damage to the outdoor unit.



- If you cannot avoid installing the outdoor unit at the seaside, construct a protection wall around to block the sea breeze.
- Construct a protection wall with a solid material such as concrete to block the sea breeze. Make sure that the height and the width of the wall are 1.5 times larger than the size of the outdoor unit. Also, secure a space larger than 27.6 inch (700 mm) between the protection wall and the outdoor unit for exhausted air to ventilate.



⚠ CAUTION

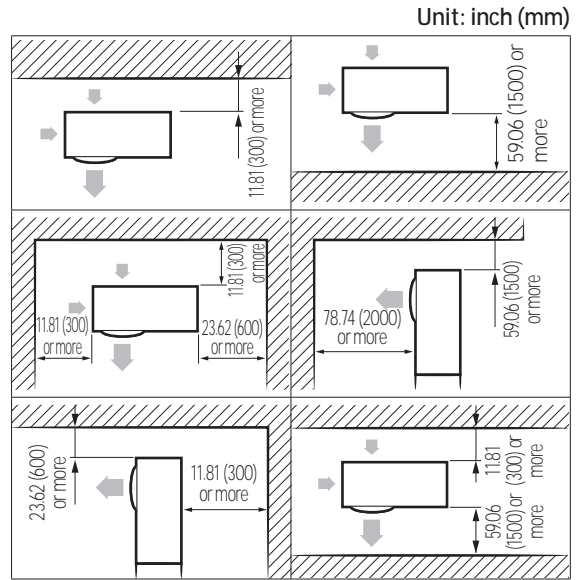
- Depending on the condition of the power supply, unstable power or voltage may cause malfunction of parts or control system (example: on a boat or places using power supplied from electric generator, etc.).

Installation Procedure

- Install the unit in a place where water can drain smoothly.
- If you have any difficulty finding installation location as prescribed above, contact your manufacturer for details.
- Consider that the salinity particles clinging to the external panels should be sufficiently washed out. Be sure to clean sea water and dust from the outdoor unit heat exchanger and apply a corrosion inhibitor on it at least once a year.
- Because the residual water at the bottom of the outdoor unit significantly promotes corrosion, make sure that the slope does not disturb drainage.
 - Keep the floor level so that rain does not accumulate.
 - Be careful not to block the drain hole due to foreign substance.
- Check the condition of the product periodically.
 - Check the installation site every 3 months and perform anti-corrosion treatment such as R-Pro supplied by SAMSUNG (Code : MOK-220SA) or commercial water repellent grease and wax, etc., based on the product condition.
 - When the product is to be shut down for a long period of time, such as off-peak hours, take appropriate measures like covering the product.
- If the product installed within 1640.4 ft (500 m) of seashore, special anti-corrosion treatment is required.
 - ※ Please contact your local SAMSUNG representative for further details.

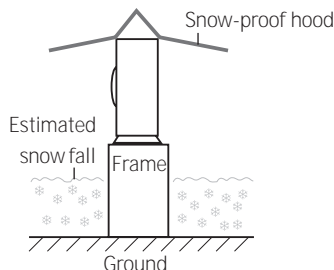
Minimum clearances for the outdoor unit

When installing 1 outdoor unit



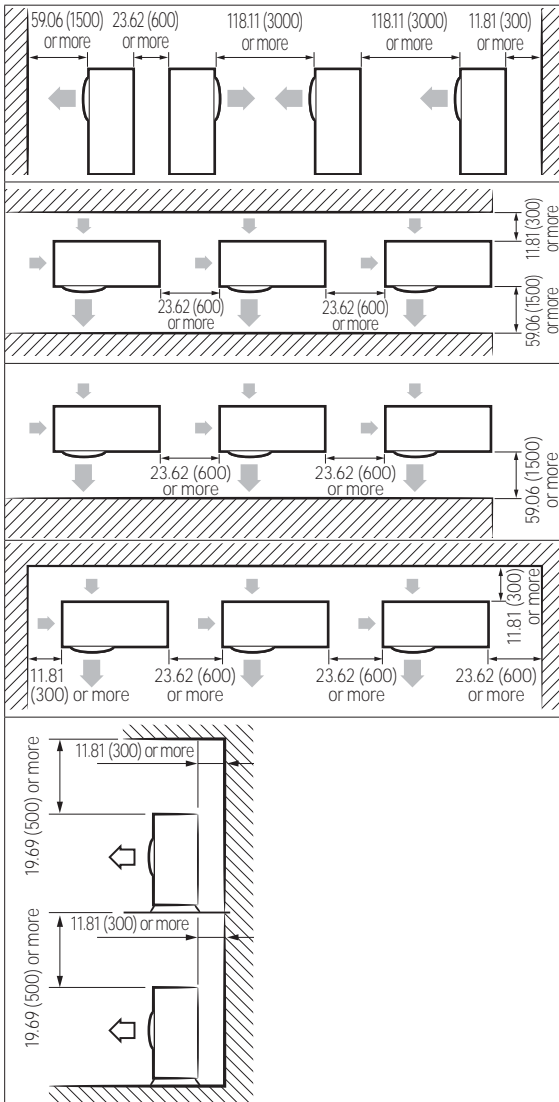
⚠ CAUTION

- In areas with heavy snow fall, piled snow could block the air intake. To avoid this incident, install a frame that is higher than estimated snow fall. In addition, install a snow-proof hood to avoid snow from piling on the outdoor unit.



When installing more than 1 outdoor unit

Unit: inch (mm)



CAUTION

- The outdoor unit must be installed according to the specified distances in order to permit accessibility from each side, to guarantee correct operation, maintenance, and repair of the unit. The components of the outdoor unit must be reachable and removable under safe conditions for people and the unit.

Step 2 Checking and preparing accessories and tools

3-wire Power Cable (option)	2-wire Assembly Cable (option)
Drain Plug	Energy Label
Rubber Leg	Installation Manual
Flare Nuts, 5/8 inch (15.88 mm) outer pipe diameter (AJ036BXJ4CH, AJ030BXS4CH)	Flare Nuts, 3/8 inch (9.52 mm) outer pipe diameter (AJ***BX*4CH)
Tube connector [Pipe 1/2 inch (12.7 mm); Bolt 3/8 inch (9.52 mm)] (AJ***BX*4CH)	Tube connector [Pipe 1/2 inch (12.7 mm); Bolt 5/8 inch (15.88 mm)] (AJ036BXJ4CH, AJ030BXS4CH)
Drain Cap	

NOTE

- Wire assembly cables are optional. If they are not supplied, use standard cables.
- The drain plug and the rubber legs are included only when the air conditioner is supplied without assembly pipes.
- If these accessories are supplied, they are in the accessory package or outdoor unit package.

Installation Procedure

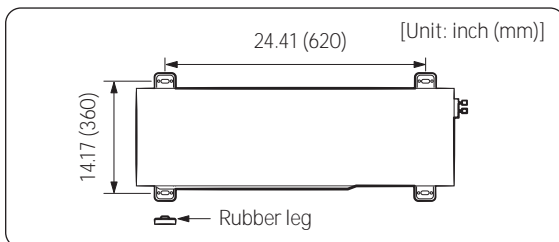
Step 3 Fixing the outdoor unit in place

Install the outdoor unit on a rigid and stable base to prevent disturbance from any noise caused by vibration. When installing the unit on tall stands or in a location exposed to strong winds, fix the unit securely to the ground or structure.

- 1 Position the outdoor unit so that the air flow is directed towards the outside, as indicated by the arrows on the top of the unit.
- 2 Attach the outdoor unit to the appropriate support using anchor bolts.
 - The ground wire for the telephone line cannot be used to ground the air conditioner.
- 3 If the outdoor unit is exposed to strong winds, install shield plates around the outdoor unit, so that the fan can operate correctly.

NOTE

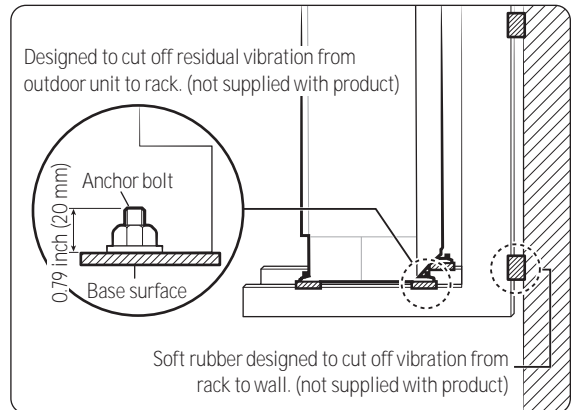
- Install provided rubber legs to prevent vibration and noise.



CAUTION

- Install a drain outlet at the lowest end around the base for outdoor unit drainage
- When installing the outdoor unit on the roof, waterproof the unit and check the ceiling strength.

Optional: Fixing the outdoor unit to a wall with a rack



- Install a proper grommet in order to reduce noise and residual vibration transferred by the outdoor unit towards the wall.

CAUTION

- When installing an air guide duct, be sure to check the following:
 - The screws do not damage the copper pipe.
 - The air guide duct is fixed firmly on the guard fan.

Step 4 Connecting the power cables, communication cable, and controllers

You must connect the following three electrical cables to the outdoor unit:

- The main power cable between the auxiliary circuit breaker and the outdoor unit.
- The outdoor-to-indoor power cable between the outdoor unit and the indoor unit.
- The communication cable between the outdoor unit and the indoor unit.

CAUTION

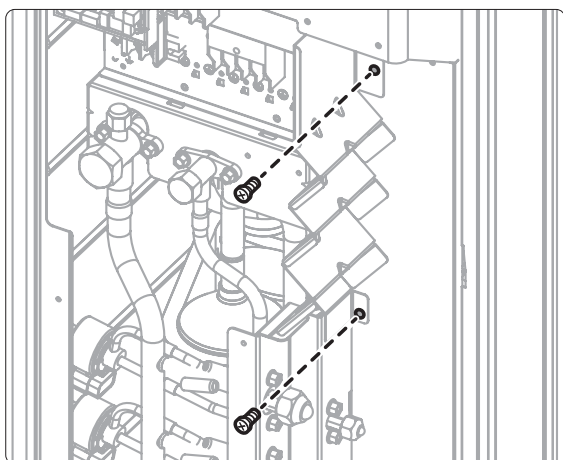
- During installation, make first the refrigerant connections and then the electrical connections. If the unit is being removed, first disconnect the electrical cables and then the refrigerant connections.

- Connect the air conditioner to the earthing system before making the electrical connections.

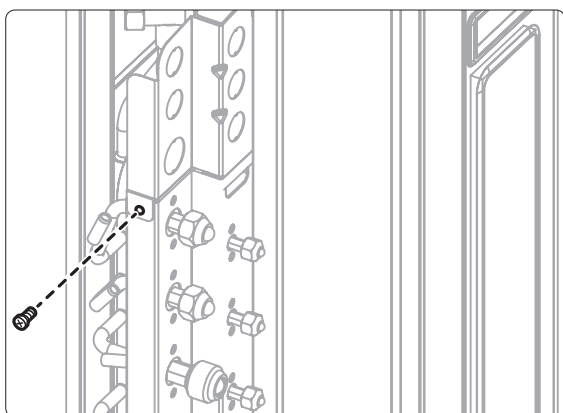
Connecting wire conduits

When connecting cables between the indoor unit and the outdoor unit, use conduits to protect the cables.

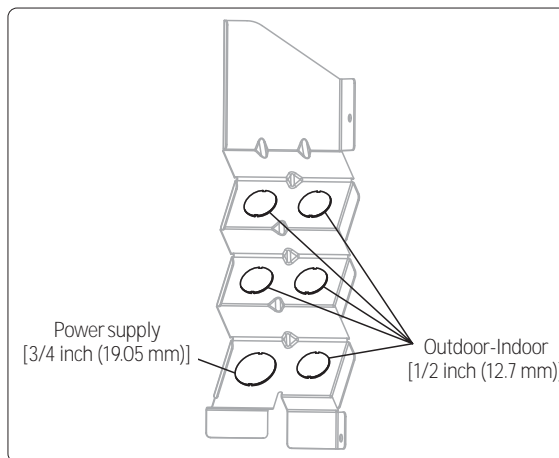
- 1 Remove the conduit plate from the product.
 - AJ020BXS3CH / AJ024BXS4CH / AJ030BXS4CH / AJ036BXJ4CH



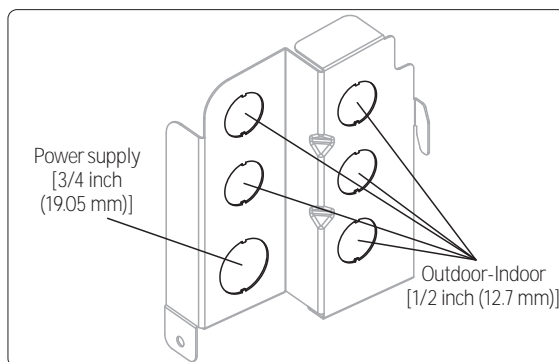
- AJ036BXS4CH / AJ048BXJ5CH



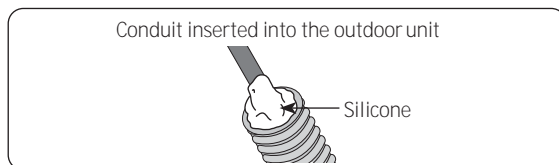
- 2 Remove conduit knock-outs for the required number of connections.
 - AJ020BXS3CH / AJ024BXS4CH / AJ030BXS4CH / AJ036BXJ4CH



- AJ036BXS4CH / AJ048BXJ5CH



- 3 Insert the cables through the conduits, and then fix the conduits to the conduit plate with the lock nuts.
- 4 Apply silicone to the end of the hose to prevent rain from entering the hose.

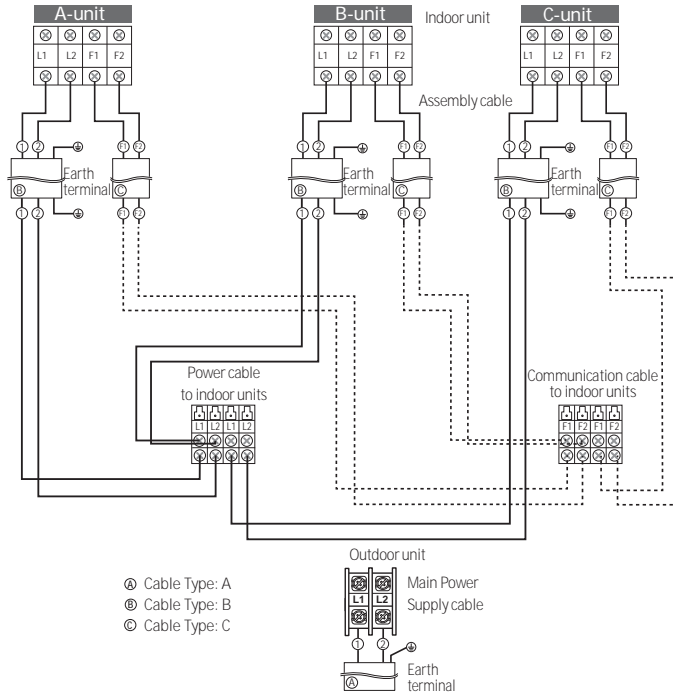


- 5 Connect the cables to the outdoor units. For how to connect the cables, refer to the next page.
- 6 Attach the conduit plate to the product.

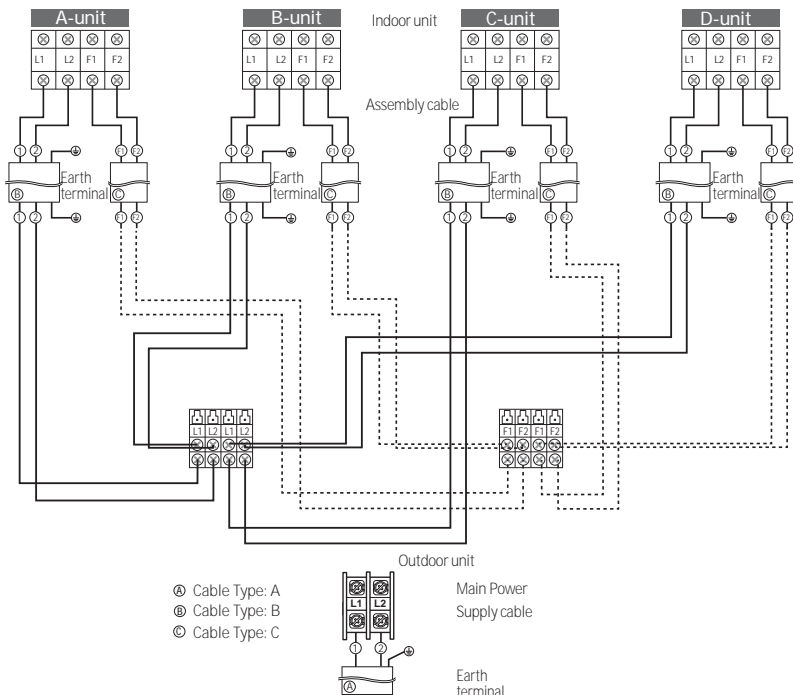
Installation Procedure

Connecting the cables to the outdoor unit

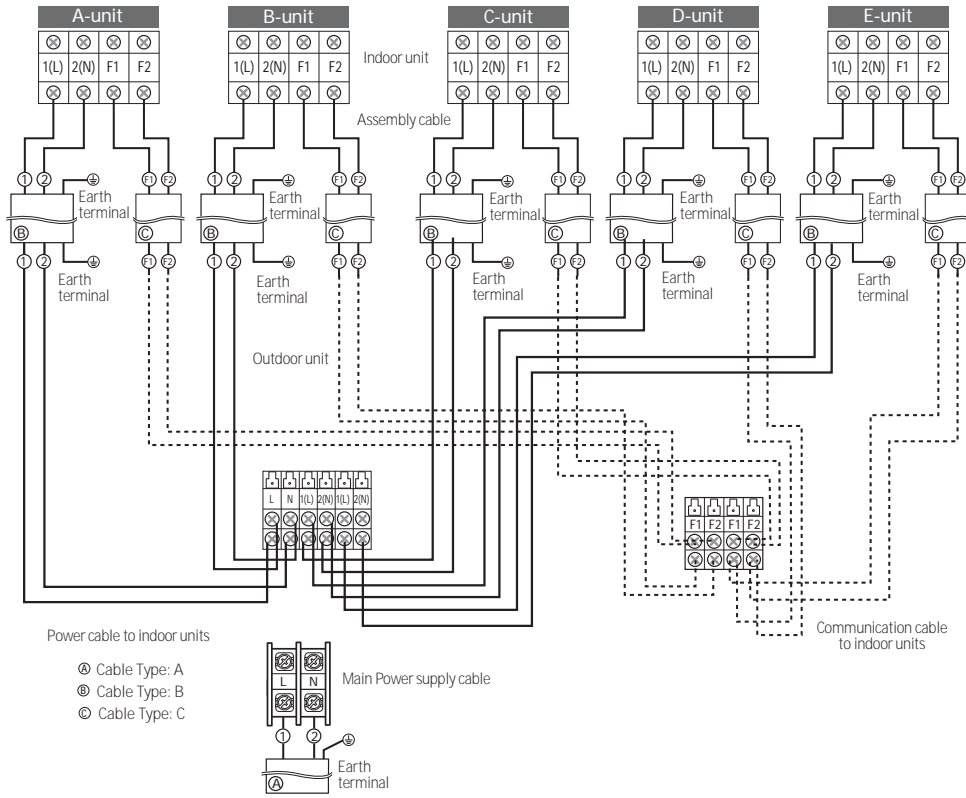
- AJ***BXS3CH



- AJ***BX*4CH



• AJ***BXJ5CH



Installation Procedure

Specification for circuit breaker and power supply cord

- Power supply cord is not supplied with air conditioner.
- Select the power supply cord in accordance with relevant local and national regulations.
- Wire size must comply with the applicable local and national code.
- Specifications for local wiring power supply cord and branch wiring are in compliance with local cord.

The specification for cables

Model	Main Power Supply Cable		Indoor Power Supply Cable		Communication Cable		FUSE	MCCB	Type GL
	Specification	Type	Specification	Type	Specification	Type			
AJ020BXS3CH AJ024BXS4CH AJ030BXS4CH AJ036BXJ4CH	3G, 4.0 mm ² (8Kcmil or 0.0062 inch ² or 10AWG), H05RN-F grade or more	A	3G, 1.5 mm ² (3Kcmil or 0.0023 inch ² or 14AWG), H05RN-F grade or more	B	2G, 0.75 mm ² (1.5Kcmil or 0.0012 inch ² or 18AWG), H05RN-F grade or more	C	30A	Frame: 35A Trip: 30A	30A
AJ036TXS4CH AJ048TXJ5CH	3G, 6.0 mm ² (12Kcmil or 0.0093 inch ² or 8AWG), H05RN-F grade or more								

- Connect the power cable to the auxiliary circuit breaker.
An all-pole disconnection from the power supply must be incorporated in the fixed wiring with a contact opening of ≥ 0.12 inch (3 mm).

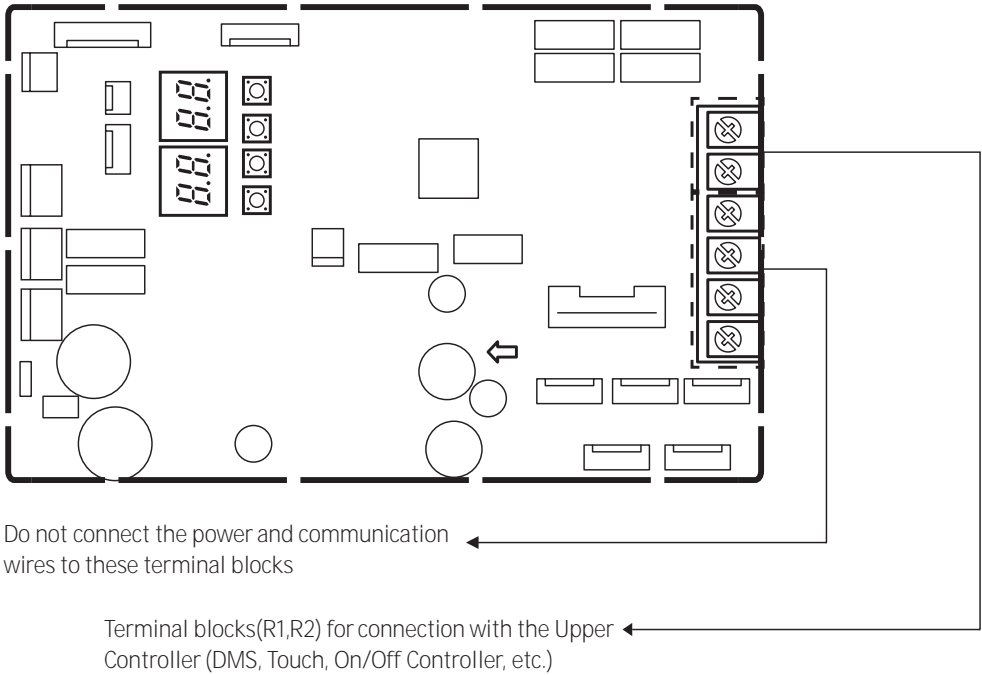
Tightening power terminal

- Connect the cables to the terminal board using the compressed ring terminal.
- Use rated cables only.
- Connect the cables with driver and wrench that can apply the rated torque to the screws.
- Make sure that appropriate tightening torque is applied for cable connection. If the terminal is loose, arc heat may occur and cause fire and if the terminal is connected too firmly, terminal may get damaged.

Screw	Tighten Torque [lbf·ft (kgf·cm)]
M4	0.87 ~1.30 (12.0 ~ 18.0)

Central control connection (optional)

PCB MAIN - OUT

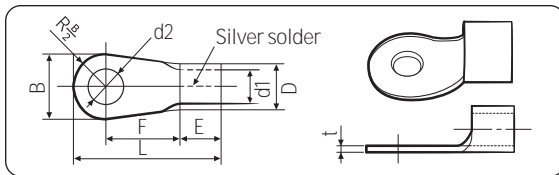


- 1 Turn the power off and take off the cover of the outdoor units.
- 2 Connect R1/R2 lines which are upper controller communication cables referring to upper figure. (Upper controller power should be off.)
- 3 Assemble a cover of the outdoor unit and turn the power on.
- 4 Check the communication status.
- 5 If you install a upper controller to the outdoor unit, every indoor unit which is connected to the outdoor unit can be controlled simultaneously.

Installation Procedure

Outdoor-to-indoor power terminal specifications

- Connect the cables to the terminal board using the compressed ring terminal.
- Cover a solderless ring terminal and a connector part of the power cable and then connect it.



Nominal dimensions for cable [inch ² (mm ²)]	Nominal dimensions for screw [inch (mm)]	B		D		d1		E	F	L	d2		t
		Standard dimension [inch (mm)]	Allowance [inch (mm)]	Standard dimension [inch (mm)]	Allowance [inch (mm)]	Standard dimension [inch (mm)]	Allowance [inch (mm)]	Min. [inch (mm)]	Min. [inch (mm)]	Max. [inch (mm)]	Standard dimension [inch (mm)]	Allowance [inch (mm)]	Min. [inch (mm)]
0.002 (1.5)	0.15 (4)	0.260 (6.6)	±0.008 (±0.2)	0.134 (3.4)	+0.012 (+0.3) -0.008 (-0.2)	0.067 (1.7)	±0.008 (±0.2)	0.161 (4.1)	0.236 (6)	0.630 (16)	0.169 (4.3)	+0.008 (+0.2) 0 (0)	0.028 (0.7)
		0.315 (8)											
0.004 (2.5)		0.260 (6.6)	±0.008 (±0.2)	0.165 (4.2)	+0.012 (+0.3) -0.008 (-0.2)	0.091 (2.3)	±0.008 (±0.2)	0.236 (6)	0.236 (6)	0.689 (17.5)	0.169 (4.3)	+0.008 (+0.2) 0 (0)	0.031 (0.8)
		0.335 (8.5)											
0.006 (4)		0.374 (9.5)	±0.008 (±0.2)	0.220 (5.6)	+0.012 (+0.3) -0.008 (-0.2)	0.134 (3.4)	±0.008 (±0.2)	0.236 (6)	0.197 (5)	0.787 (20)	0.169 (4.3)	+0.008 (+0.2) 0 (0)	0.035 (0.9)

- Connect the rated cables only.
- Connect using a driver which is able to apply the rated torque to the screws.
- If the terminal is loose, fire may occur caused by arc. If the terminal is connected too firmly, the terminal may be damaged.

Tightening torque [lbf·ft (kgf·cm)]	
M4	0.87 to 1.30 (12.0 ~ 18.0)
M5	1.45 to 2.17 (20.0 ~ 30.0)

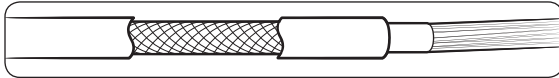
⚠ CAUTION

- When connecting cables, you can connect the cables to the electrical part or connect them through the holes below depending on the spot.
- Connect the communication cable between the indoor and outdoor units through a conduit to protect against external forces, and feed the conduit through the wall together with refrigerant piping.
- Remove all burrs at the edge of the knock-out hole and secure the cable to the outdoor knock-out using lining and bushing with an electrical insulation such as rubber and so on.
- Must keep the cable in a protection tube.
- Keep distances of 1.97 inch (50 mm) or more between power cable and communication cable.
- When the cables are connected through the hole, remove the Plate bottom.

Outdoor-to-indoor power and communication cables specifications

Indoor power supply		
Power supply	Max/Min (V)	Indoor power cable
1Φ, 208-230V~, 60Hz	±10%	0.0039 inch ² ↑ (2.5 mm ² ↑), 3 wires
Communication cable		
0.0012 to 0.0023 inch ² (0.75 to 1.5 mm ²), 2 wires		

- Power supply cords of parts of appliances for outdoor use shall not be lighter than polychloroprene sheathed flexible cord. (Code designation IEC:60245 IEC 57 / CENELEC: H05RN-F)
- When installing the indoor unit in a computer room or network room, use the double shielded (tape aluminum / polyester braid + copper) cable of FROHH2R type.

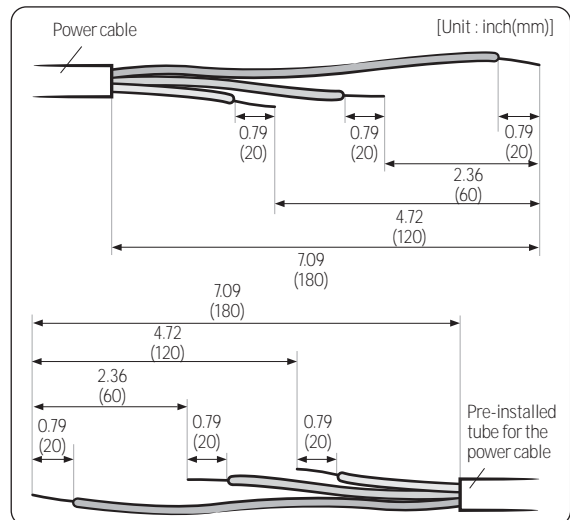


Step 5 Optional: Extending the power cable

- Prepare the following tools.

Tools	Spec	Shape
Crimping pliers	MH-14	
Connection sleeve [inch (mm)]	0.79xØ0.26 (20xØ6.5) (HxOD)	
Insulation tape [inch (mm)]	Width 0.75 (19)	
Contraction tube [inch (mm)]	2.76xØ0.31 (70xØ8.0) (LxOD)	

- As shown in the figure, peel off the shields from the rubber and wire of the power cable.
 - Peel off 0.79inch (20 mm) of cable shields from the pre-installed tube.



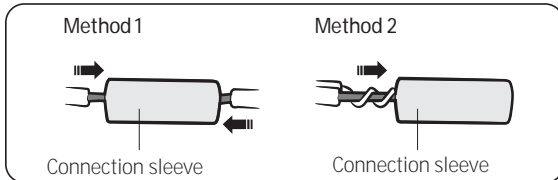
⚠ CAUTION

- For information about the power cable specifications for indoor and outdoor units, refer to the installation manual.
- After peeling off cable wires from the pre-installed tube, insert a contraction tube.

Installation Procedure

3 Insert both sides of core wire of the power cable into the connection sleeve.

- **Method 1:** Push the core wire into the sleeve from both sides.
- **Method 2:** Twist the wire cores together and push it into the sleeve.

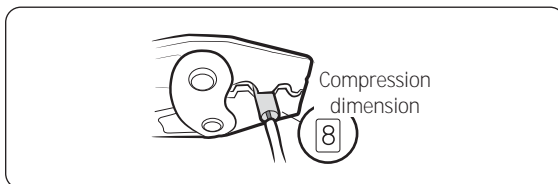


CAUTION

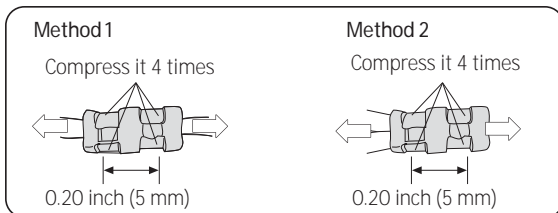
- If cable wires are connected without using connecting sleeves, their contact area becomes reduced, or corrosion develops on the outer surfaces of the wires (copper wires) over a long time. This may cause an increase of resistance (reduction of passing current) and consequently may result in a fire.

4 Using a crimping tool, compress the two points and flip it over and compress another two points in the same location.

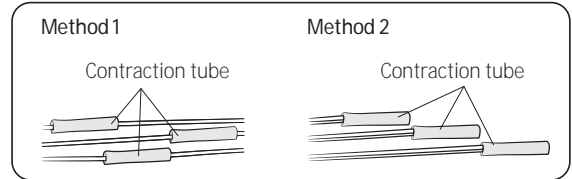
- The compression dimension should be 0.31 inch (8.0 mm).



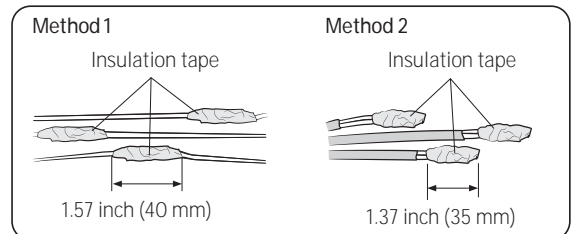
- After compressing it, pull both sides of the wire to make sure it is firmly pressed.



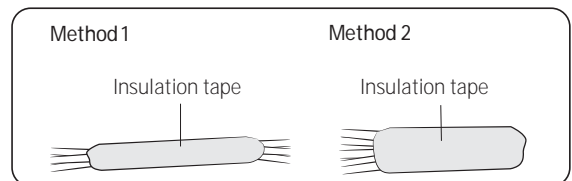
5 Apply heat to the contraction tube to contract it.



6 Wrap it with the insulation tape twice or more and position your contraction tube in the middle of the insulation tape.



7 After tube contraction work is completed, wrap it with the insulation tape to finish. Three or more layers of insulation are required.

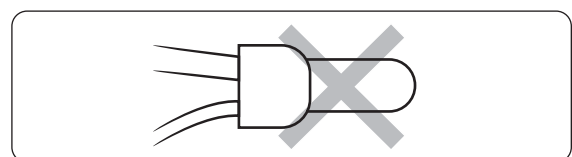


CAUTION

- Make sure that the connection parts are not exposed to outside.
- Be sure to use insulation tape and a contraction tube made of approved reinforced insulating materials that have the same level of withstand voltage with the power cable. (Comply with the local regulations on extensions.)

WARNING

- In case of extending the electric wire, please DO NOT use a round-shaped Pressing socket.
 - Incomplete wire connections can cause electric shock or a fire.

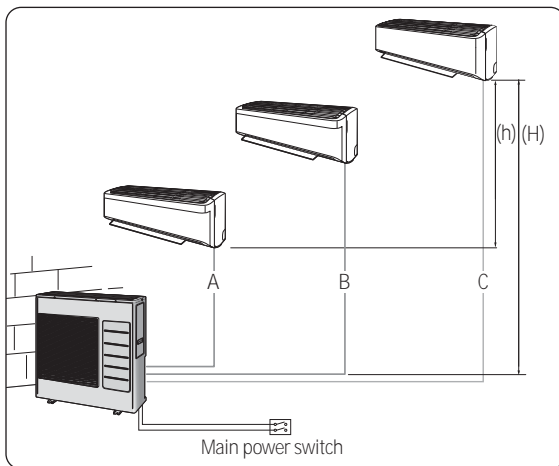


Step 6 Connecting the refrigerant pipe

◆ AJ020BXS3CH

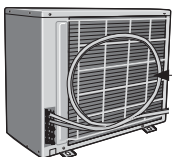
1 Piping outside diameter.

Indoor unit	Out unit	Power supply Ø, V, Hz	Outside diameter	
			Liquid	Gas
07/09/12/009/012, AR15** AJ015**	AJ020BXS3CH	1,208-230,60	1/4"	3/8" 1/2"



2 Piping length and the height.

	1 Room max length	3 Room total max length	Max height between indoor unit & outdoor unit	Max height between indoor units
Dimension	82.0 ft (25 m)	164.0 ft (50 m)	49.2 ft (15 m)	24.6 ft (7.5 m)
Composition	A,B,C	A+B+C	(H)	(h)



Make at least one round:
It will reduce noise and vibration

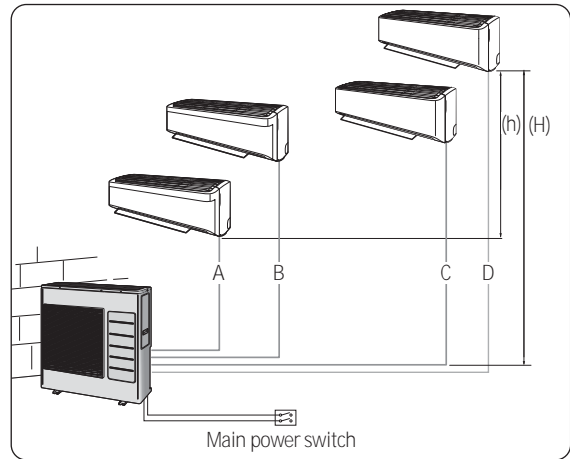
⚠ CAUTION

- Minimum pipe length is 10 ft (3 m) to reduce noise and vibration.
- The appearance of the unit may be different from the diagram depending on the model.

◆ AJ024BXS4CH

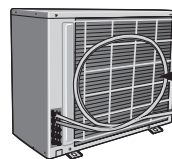
1 Piping outside diameter.

Indoor unit	Out unit	Power supply Ø, V, Hz	Outside diameter	
			Liquid	Gas
07/09/12/009/012, AR15** AJ015**, ACO15**	AJ024BXS4CH	1,208-230,60	1/4"	3/8" 1/2"



2 Piping length and the height.

	1 Room max length	4 Room total max length	Max height between indoor unit & outdoor unit	Max height between indoor units
Dimension	82.0 ft (25 m)	229.7 ft (70 m)	49.2 ft (15 m)	24.6 ft (7.5 m)
Composition	A,B,C,D	A+B+C+D	(H)	(h)



Make at least one round:
It will reduce noise and vibration

⚠ CAUTION

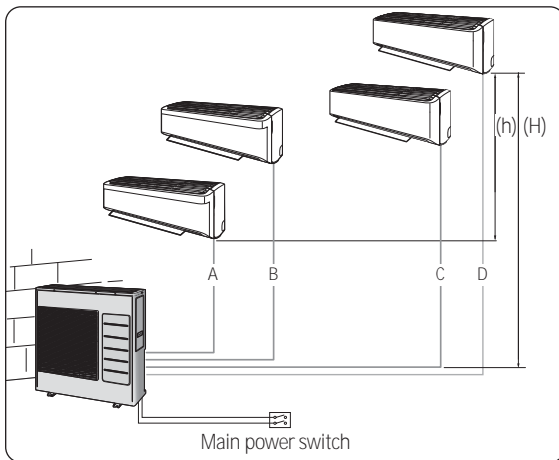
- Minimum pipe length is 10 ft (3 m) to reduce noise and vibration.
- The appearance of the unit may be different from the diagram depending on the model.

Installation Procedure

◆ AJ030BXS4CH / AJ036BXJ4CH / AJ036BXS4CH

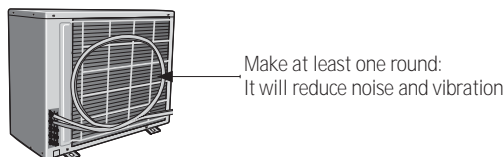
1 Piping outside diameter.

Indoor unit	Out unit	Power supply Ø, V, Hz	Outside diameter	
			Liquid	Gas
07/09/12/009/012, AR15**	AJ030BXS4CH / AJ036BXJ4CH / AJ036BXS4CH	1,208-230,60	1/4"	3/8"
18/018				1/2"
AJ015**, AC015**				5/8"



2 Piping length and the height.

	1 Room max length	4 Room total max length	Max height between indoor unit & outdoor unit	Max height between indoor units
Dimension	82.0 ft (25 m)	229.7 ft (70 m)	49.2 ft (15 m)	24.6 ft (7.5 m)
Composition	A,B,C,D	A+B+C+D	(H)	(h)



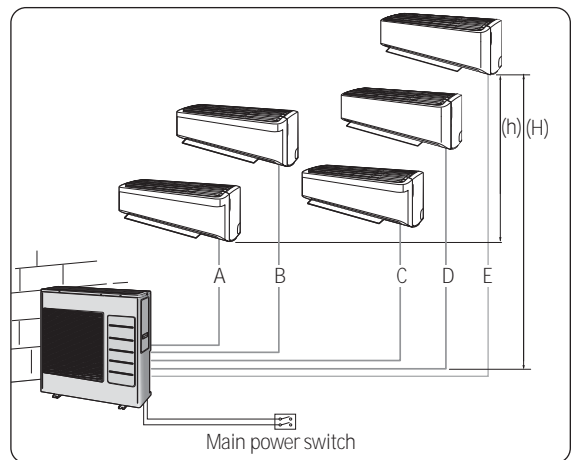
⚠ CAUTION

- Minimum pipe length is 10 ft (3 m) to reduce noise and vibration.
- The appearance of the unit may be different from the diagram depending on the model.

◆ AJ048BXJ5CH

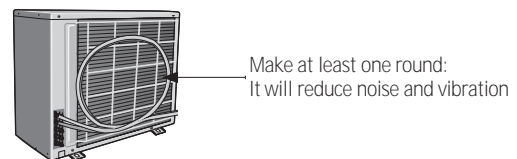
1 Piping outside diameter.

Indoor unit	Out unit	Power supply Ø, V, Hz	Outside diameter	
			Liquid	Gas
07/09/12/009/012, AR15**	AJ048BXJ5CH	1,208-230,60	1/4"	3/8"
18/018				1/2"
AJ015**, AC015**				5/8"
24/024				5/8"



2 Piping length and the height.

	1 Room max length	5 Room total max length	Max height between indoor unit & outdoor unit	Max height between indoor units
Dimension	82.0 ft (25 m)	229.7 ft (70 m)	49.2 ft (15 m)	24.6 ft (7.5 m)
Composition	A,B,C,D,E	A+B+C+D+E	(H)	(h)



⚠ CAUTION

- Minimum pipe length is 10 ft (3 m) to reduce noise and vibration.
- The appearance of the unit may be different from the diagram depending on the model.

⚠ CAUTION

- If the indoor unit combination includes AJ***BNHDCH / AC***BNZDCH indoor units, select a combination according to the guide in the Technical Data Book.
- If error code E563 occurs, Cool Mode Try run and Pipe Check operations are still possible.

📖 NOTE

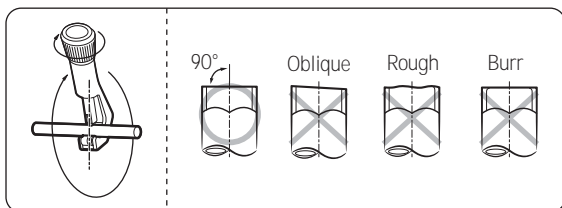
- You can use the Cool and Heat modes in the following conditions :

Mode	Cool	Heat	
Outdoor temperature	14 °F to 114.8 °F (-10 °C to 46 °C)	AJ***BXJ*CH 5 °F to 75.2 °F (-15 °C to 24 °C)	AJ***BXS*CH -13 °F to 75.2 °F (-25 °C to 24 °C)

- It could take maximum 60 minutes to operate for the protection of the compressor, if the outdoor temperature is below 23 °F (-5 °C).

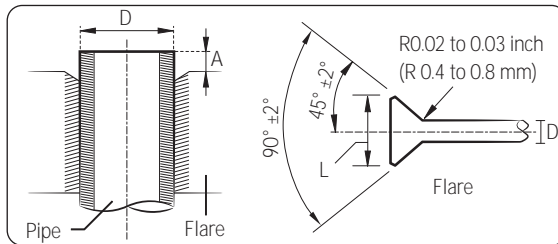
Step 7 Optional: Cutting and flaring the pipes

- 1 Make sure that you have the required tools available. (pipe cutter, reamer, flaring tool, and pipe holder)
- 2 If you wish to shorten the pipes, cut it with a pipe cutter, taking care to ensure that the cut edge remains at a 90° angle with the side of the pipe. Refer to the illustrations below for examples of edges cut correctly and incorrectly.



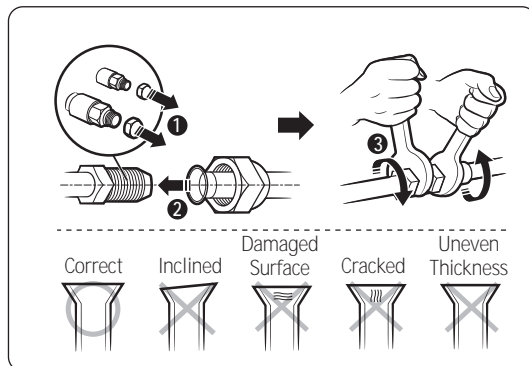
- 3 To prevent any gas from leaking out, remove all burrs at the cut edge of the pipe, using a reamer.

- 4 Slide a flare nut on to the pipe and flare the pipe.



Outer Diameter (D)		Depth (A)		Flare dimension (L)	
mm	inch	mm	inch	mm	inch
Ø6.35	1/4	1.3	0.051	8.7 to 9.1	0.34 to 0.36
Ø9.52	3/8	1.8	0.071	12.8 to 13.2	0.50 to 0.52
Ø12.70	1/2	2.0	0.079	16.2 to 16.6	0.64 to 0.65
Ø15.88	5/8	2.2	0.087	19.3 to 19.7	0.76 to 0.78

- 5 Check that the flaring is correct, referring to the illustrations below for examples of incorrect flaring.



⚠ CAUTION

- If the pipes require brazing ensure that OFN (Oxygen Free Nitrogen) is flowing through the system.
- Nitrogen blowing pressure range is 2.9 to 7.3 psi (0.02 to 0.05 MPa).

Installation Procedure

Step 8 Connecting refrigerant pipes and vacuuming

⚠ WARNING

- When installing, make sure there is no leakage. When recovering the refrigerant, ground the compressor first before removing the connection pipe. If the refrigerant pipe is not properly connected and the compressor works with the service valve open, the pipe inhales the air and it makes the pressure inside of the refrigerant cycle abnormally high. It may cause explosion and injury.

The outdoor unit is loaded with sufficient R-410A refrigerant. Do not vent R-410A into atmosphere: it is a fluorinated greenhouse gas, covered by Kyoto Protocol, with a Global Warming Potential (GWP) = 2088.

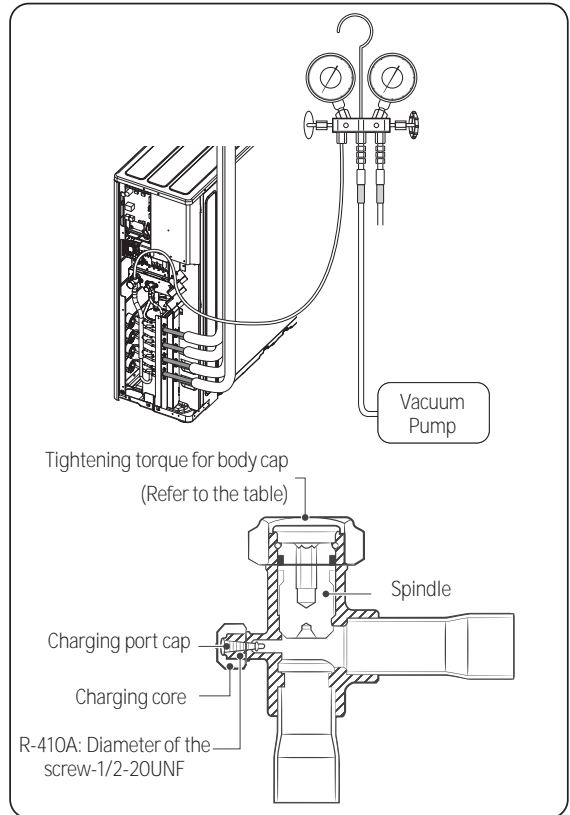
You should purge the air in the indoor unit and in the pipe. If air remains in the refrigerant pipes, it affects the compressor. It may cause reduction of cooling capacity and malfunction. Refrigerant for air purging is not charged in the outdoor unit. Use Vacuum Pump as seen in the picture.

- 1 Check the piping connections.
- 2 Connect the charging hose of low pressure side of manifold gauge to the stop valve having a service port.

Model Name	Valve	
	3/8"	1/2"
AJ020BXS3CH	3	-
AJ024BXS4CH	2	2
AJ030BXS4CH		
AJ036BXS4CH		
AJ036BXJ4CH		
AJ048BXJ5CH		
		3

⚠ CAUTION

- Make the electrical connection and leave the system into "stand by mode". Do not turn on the system! This is necessary for better vacuum operation (full OPEN position of Electronic Expansion Valve - EEV -).



- 3 Open the valve of the low pressure side of manifold gauge counter clockwise.
- 4 Purge the air from the system using vacuum pump for about 30 minutes.
 - Close the valve of the low pressure side of manifold gauge clockwise.
 - Make sure that pressure gauge show -14.5 psi (-0.1 MPa), after about 30 minutes. This procedure is very important in order to avoid gas leak.
 - Turn off the vacuum pump.
 - Remove the hose of the low pressure side of manifold gauge.
- 5 Set spindle of both liquid side and gas side of stop valve to the open position.
- 6 Mount the valve stem nuts and the service port cap to the valve, and tighten them with a torque wrench.

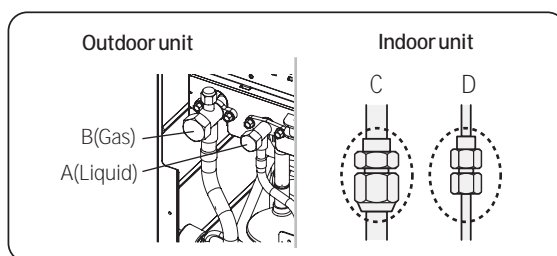
Outer Diameter [inch (mm)]	Tightening torque	
	Body cap [(lbf·ft (N·m))]	Charging port cap [(lbf·ft (N·m))]
Φ1/4 (Ø 6.35)	14.8 to 18.4 (20 to 25)	7.4 to 8.9 (10 to 12)
Φ3/8 (Ø 9.52)		
Φ1/2 (Ø 12.70)	18.4 to 22.1 (25 to 30)	
Φ5/8 (Ø 15.88)	22.1 to 25.8 (30 to 35)	

※ The designs and shape are subject to change according to the model.

Step 9 Performing the gas leak test

Before completing the installation (insulation of the cables, hose and piping and fixing of the indoor unit to the installation plate), you must check that there are no gas leaks.

To check for gas leaks on the...	Then, using a leak detector, check the ...
Outdoor unit	Valves on sections A and B.
Indoor unit	Flare nuts at the end of sections C and D.



- The designs and shape are subject to change according to the model.

LEAK TEST WITH NITROGEN (before opening valves)

Pressure check the refrigerant system using high pressure nitrogen in order to detect basic refrigerant leaks. Before performing the vacuum process and releasing the factory R-410A charge into the refrigerant pipes, it is the responsibility of the installer to pressurize the whole system with nitrogen (using a cylinder with pressure reducer) at a pressure above 580.2 psi (4 MPa) (gauge).

LEAK TEST WITH R-410A (after opening valves)

Before opening valves, discharge all the nitrogen into the system and create vacuum. After opening valves check leaks using a leak detector for refrigerant R-410A.

Once you have completed all the connections, check for possible leaks using leak detector specifically designed for HFC refrigerants.

Installation Procedure

Step 10 Adding refrigerant (R-410A)

Calculating the quantity of refrigerant to add

The quantity of additional refrigerant is variable according to the installation situation. Thus, make sure the outdoor unit situation before adding refrigerant.

If you install the excessive length of pipe, add additional refrigerant as 0.22 oz per unit ft ; refer to the table below.

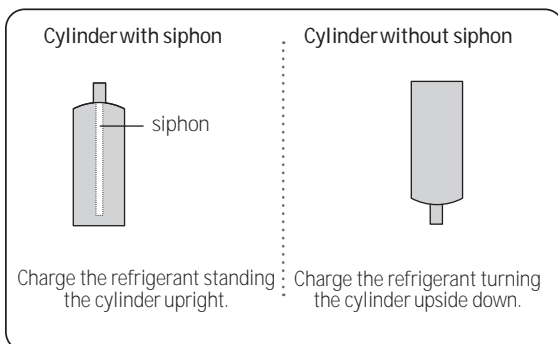
Refer to the Service Manual for more details on this operation.

Model Name	Total connecting pipe length (L)		Adding refrigerant
AJ020BXS3CH AJ024BXS4CH AJ030BXS4CH AJ036BXJ4CH	(LT) ft	≤131.2 ft	Chargeless
		>131.2 ft	(LT-131.2) ft x 0.22 oz
	(LT) m	≤ 40 m	Chargeless
		> 40 m	(LT- 40) m x 20 g
AJ036BXS4CH	(LT) ft	≤164.0 ft	Chargeless
		>164.0 ft	(LT-164.0) ft x 0.22 oz
	(LT) m	≤ 50 m	Chargeless
		> 50 m	(LT - 50) m x 20 g
AJ048BXJ5CH	(LT) ft	≤164.0 ft	Chargeless
		>164.0 ft	(LT-164.0) ft x 0.11 oz
	(LT) m	≤ 50 m	Chargeless
		> 50 m	(LT - 50) m x 10 g

Charging the system with liquid refrigerant

R-410A is a mixed type of refrigerant. It is necessary for recharging under conditions of liquid. When recharging refrigerant from the refrigerant cylinder to the equipment, follow the instructions below.

- Before recharging, check whether the cylinder has a siphon or not. There are two ways to recharge the refrigerant.



NOTE

- If R-410A refrigerant is charged with gas, the composition of the charged refrigerant changes and the characteristics of the equipment vary.
- While adding refrigerant use an electronic scale to measure the volume added. If the refrigerant cylinder doesn't have a siphon, turn it upside-down.

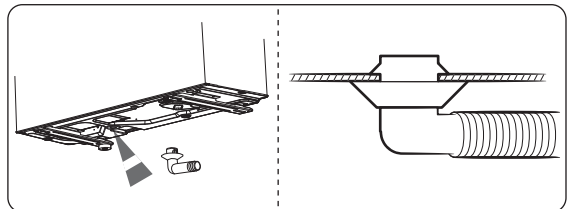
Step 11 Connecting the drain hose to the outdoor unit

When heating, ice may accumulate. During the process of defrosting, check if condensation draining is adequate.

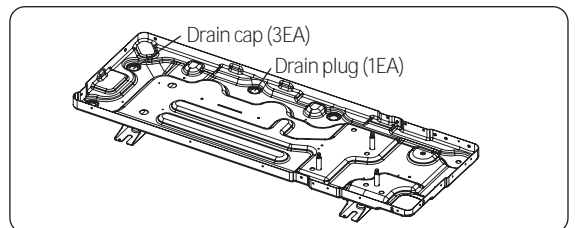
For adequate draining, do the following :

(For AJ***BXS*CH model, do not install a drain hose and a drain plug, drain caps.)

- 1 Insert the drain plug into the drain hole on the underside of the outdoor unit.
- 2 Connect the drain hose to the drain plug.
- 3 Ensure that condensation draining is adequate.



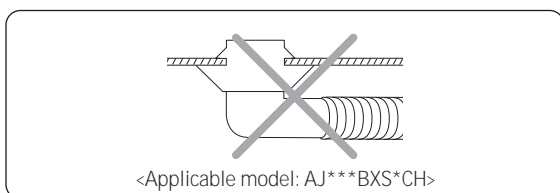
- 4 Be sure to plug the rest of drain holes not connected with drain plugs using drain caps.



- When installing the product, make sure that the rack is not placed under the drain hole.
- If the product is installed in a region of heavy snow, allow enough separation distance between the product and the ground.

⚠ CAUTION

- For AJ***BXS*CH model, do not install a drain hose and a drain plug.
 - Let the water drain naturally.
- Ice may form on the ground. Take appropriate measures to prevent ice formation.



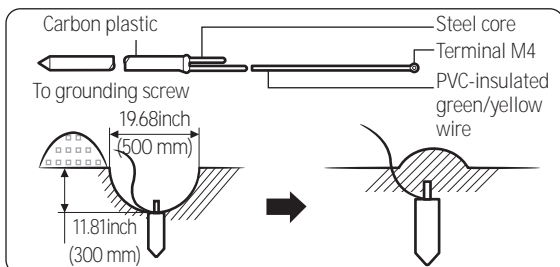
Step 12 Checking the earthing

If the power distribution circuit does not have an earthing or the earthing does not comply with specifications, an earthing electrode must be installed. The corresponding accessories are not supplied with the air conditioner.

- Select an earthing electrode that complies with the specifications given in the illustration.
- Connect the flexible hose to the flexible hose port.
 - In damp hard soil rather than loose sandy or gravel soil that has a higher earthing resistance.
 - Away from underground structures or facilities, such as gas pipes, water pipes, telephone lines and underground cables.
 - At least 6.56 ft (2 m) away from a lightning conductor earthing electrode and its cable.

📄 NOTE

- The earthing wire for the telephone line cannot be used to ground the air conditioner.



- Finish wrapping insulating tape around the rest of the pipes leading to the outdoor unit.
- Install a green/yellow colored earthing wire:
 - If the earthing wire is too short, connect an extension lead in a mechanical way and wrap it with insulating tape (do not bury the connection).
 - Secure the earthing wire in position with staples.

📄 NOTE

- If the earthing electrode is installed in an area with heavy traffic, its wire must be connected securely.
- Carefully check the installation by measuring the earthing resistance with a earth resistance tester. If the resistance is above the required level, drive the electrode deeper into the ground or increase the number of earthing electrodes.
 - Connect the earthing wire to the electrical component box inside of the outdoor unit.

Step 13 Setting an indoor unit address and installation option

Setting the indoor unit addresses manually

- Review all the following elements in the installation:
 - Installation site strength
 - Piping connection tightness to detect any gas leakage
 - Connection wiring
 - Heat-resistant insulation of the piping
 - Drainage
 - Earthing wire connection
- Manually set options in each room's the indoor unit by referring to page 27-34.
- Press the K3 button once or reset the outdoor unit.

📄 NOTE

- The Display 1/2 indications are the same as in the automatic address setting mode.

Installation Procedure

Setting Key and Display of the outdoor unit

- Key option of the outdoor unit
 - K1: Function button - K3: Reset button

Push \ Key	K1	K3
1	Pipe Checking Operation	Reset
2	Cool Mode Try run	
3	Heat Mode Try run	
4	Pump Down	
5	Inverter Fault Detection (Comp#1) ¹⁾	
6	Auto Mode Try run	
7	Finish Key Operation	

¹⁾ Indication on the display and action to take when an inverter fault is detected

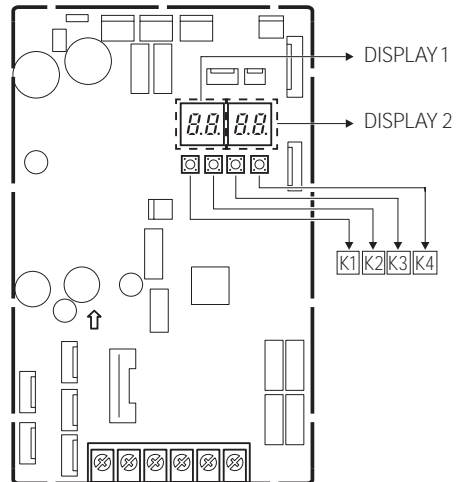
	SEG1	SEG2	SEG3	SEG4	Action to take
Fault detection is in progress	8	8	8	8	-
OK	8	8	0	8	-
NG	8	8	8	0	PBA defect: Replace the PBA
Check	8	8	0	8	Manual inspection is required
Going into fault detection mode failed	8	8	8	8	Try fault detection again

※ For more information of the Cool or Heat or Auto mode Try run test, refer to page 34.

- K4 View mode Display changes

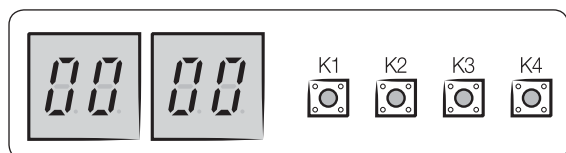
Push	Display Explanation	Push	Display Explanation
1	Present Compressor Frequency	9	Discharge temperature
2	Target Compressor Frequency	10	OLP temperature
3	EEV0 current step	11	Condenser temperature
4	EEV1 current step	12	Outdoor temperature
5	EEV2 current step	13	Running current
6	EEV3 current step	14	Target Discharge temperature
7	EEV4 current step	15	Total capacity of the indoor units
8	Fan RPM (H: high, L: low, Blank: off)	16	Safety Control (just For Service Technician)

PCB MAIN - OUT



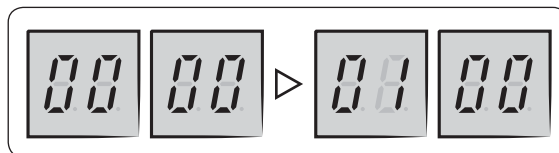
Setting the outdoor option

- Press and hold K2 to enter the option setting.
(Only available when the operation is stopped)
- If you enter the option setting, display will show the following.



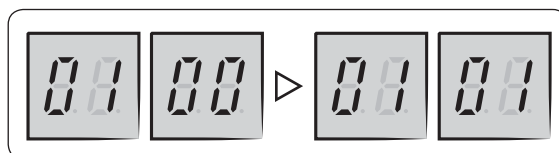
- Seg 1 and Seg 2 will display the number for selected option.
- Seg 3 and Seg 4 will display the number for set value of the selected option.
- If you have selected desired option, you can shortly press the K1 switch to adjust the value of the Seg 1, Seg 2 and change the function for the selected option.

Example)



- If you have selected desired option, you can shortly press the K2 switch to adjust the value of the Seg 3, Seg 4 and change the function for the selected option.

Example)



- After selecting the function for options, press and hold the K2 switch for 2 seconds. Edited value of the option will be saved when entire segments blinks and tracking mode begins.

Option item	Input unit	SEG1	SEG2	SEG3	SEG4	Function
Setting to Cool or Heat only mode	Main	0	0	0	0	Cooling and Heating (Factory default)
				0	1	Only Cooling
				0	2	Only Heating
Unused option	Main	0	1	0	0	Unused option
				0	1	Unused option
Mixed mode indoor input	Main	0	2	0	0	Disabled (Factory default)
				0	1	Enabled
Auto Change Over	Main	0	3	0	0	Disabled
				0	1	Enabled (Factory default)
Channel address	Main	0	4	A	U	Automatic setting (Factory default)
				00 ~ 15		Manual setting

⚠ CAUTION

- Edited option will not be saved if you do not end the option setting as explained in above instruction.
- ※ While you are setting the option, you may press and hold the K1 button to reset the value to previous setting.
- ※ If you want to restore the setting to factory default, press and hold the K4 button while you are in the option setting mode.
 - If you press and hold the K4 button, setting will be restored to factory default but it doesn't mean that restored setting is saved. Press and hold the K2 button. When the segments shows that tracking mode is in progress, setting will be saved.

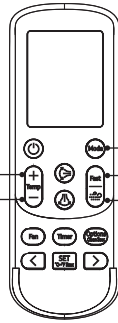
Installation Procedure

Setting Option

Entering mode for setting option

<AR**TSFABWKN /
AR**BSFCMWKN>

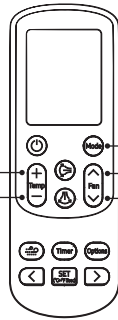
High Temp button ②
Low Temp button ③



Option setting mode

<AC***BN*DCH /
AJ***BNHDCH>

High Temp button ②
Low Temp button ③

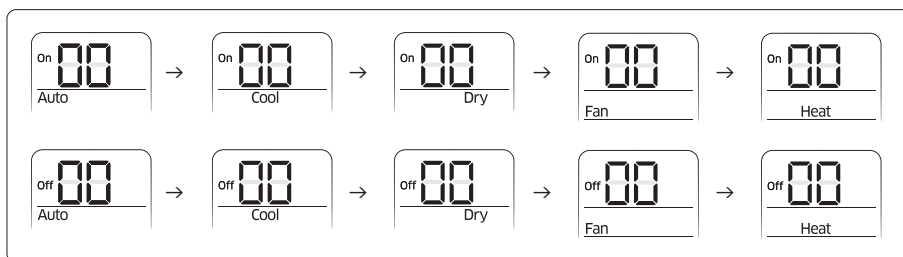



① Mode button
④ Fast button
⑤ WindFree button

① Mode button
④ High Fan button
⑤ Low Fan button

Setting Option

- 1 Remove batteries from the remote controller
- 2 Insert batteries and enter the option setting mode while pressing **2** button and **3** button.
- 3 Each time you press **5** button, 7-seg on left side is increased by "1" and each time you press **4** button, 7-seg on right side is increased by "1"
- 4 You press **1** button to move to the next setting page.
- 5 After setting option, press **1** button to check whether the option code you input is correct or not.


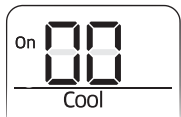


- 6 Press operation button  with the direction of remote control for set.





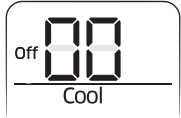

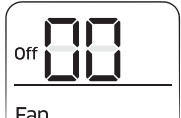
CAUTION

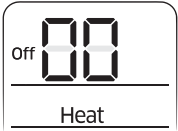

- SEG1, SEG7, SEG13, SEG19 are not set as page option.
- Set the SEG1, SEG7 as ON status and SEG13, SEG19 as OFF status.
 - Set the each option separately since you cannot set the ADDRESS setting and indoor unit installation setting option at the same time.

The procedure of setting option

Operation	Indication
Step 1 1 Remove the batteries from the remote controller. 2 Insert batteries while pressing 2 Button and 3 Button.	
Step 2 1 Press 5 button to enter SEG2 value. 2 Press 4 button to enter SEG3 value.	
Step 3 Press 1 button to be change to Cool mode in the ON status. 1 Press 5 button to enter SEG4 value. 2 Press 4 button to enter SEG5 value.	

Installation Procedure

Operation	Indication
<p>Step 4 Press 1 button to be changed to DRY mode in the ON status.</p> <p>1 Press 5 button to enter SEG6. 2 Press 4 button to enter SEG8.</p>	
<p>Step 5 Press 1 button to be changed to FAN mode in the ON status.</p> <p>1 Press 5 button to enter SEG9 value. 2 Press 4 button to enter SEG10 value.</p>	
<p>Step 6 Press 1 button to be changed to HEAT mode in the ON status.</p> <p>1 Press 5 button to enter SEG11 value. 2 Press 4 button to enter SEG12 value</p>	
<p>Step 7 Press 1 button to be changed to AUTO mode in the OFF status.</p> <p>1 Press 5 button to enter SEG14 value. 2 Press 4 button to enter SEG15 value.</p>	
<p>Step 8 Press 1 button to be changed to Cool mode in the OFF status.</p> <p>1 Press 5 button to enter SEG16 value. 2 Press 4 button to enter SEG17 value.</p>	
<p>Step 9 Press 1 button to be changed to DRY mode in the OFF status.</p> <p>1 Press 5 button to enter SEG18 value. 2 Press 4 button to enter SEG20 value.</p>	
<p>Step 10 Press 1 button to be changed to FAN mode in OFF status</p> <p>1 Press 5 button to enter SEG21 value. 2 Press 4 button to enter SEG22 value.</p>	

Operation	Indication
<p>Step 11 Press 1 button to be changed to HEAT mode in the OFF status</p> <p>1 Press 5 button to enter SEG23 value. 2 Press 4 button to enter SEG24 value.</p>	
<p>Step 12 Press 1 button to check whether the option code you entered is correct or not. Press operation button  to enter option.</p>	

Setting the indoor unit addresses automatically

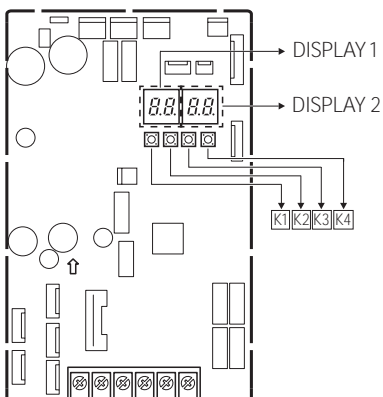
 **NOTE**

- For the best results, make sure that electrical wiring is done properly.
 - For the best results, the outdoor temperature should be between 41 to 104 °F (*) and the indoor temperature 60.8 °F or higher (*).
- ※ (*) Auto addressing may fail when the temperature is out of the range above. In this case, set the address manually.

 **CAUTION**

- Connecting one indoor unit to this product is prohibited. Don't use pipe checking operation and auto addressing mode when only one indoor unit is installed.

PCB MAIN - OUT



Installation Procedure

- 1 Turn on the outdoor unit, and then check whether the display 1/2 indications are displayed "E199" code.
 - ※ During the initial , display 1 shows "Rd" and display 2 shows the connected indoor number.
 - If different display code is shown, see **Troubleshooting** on page 37 and take corrective actions.
- 2 Push once the K1 button.
- 3 After the operations described above have been performed, the system starts in Cooling or Heating mode, depending on the external ambient temperature. After a few minutes (from a minimum of 3 to 5 minutes for the internal unit), the system stops automatically, completing the self-test and addressing procedure. "t 10t" appears on the display of the outdoor unit.
- 4 If you press the K1 button one more time, "t 10t" disappears and inspection is complete.

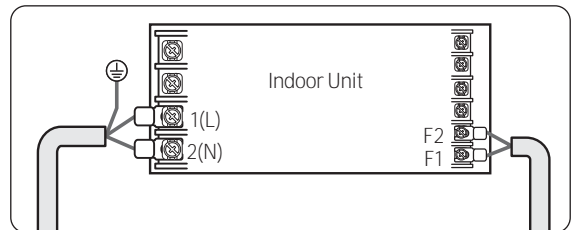


NOTE

- At this point it is possible to start the internal units in the desired mode.
 - ※ If "t 10t" doesn't display, the procedure has failed and it is therefore necessary to read ALL the operator's manual before repeating the operating described in steps 1-2-3-4.

Setting an indoor unit address (MAIN/RMC)

- 1 Check whether power is supplied or not.
 - When the indoor unit is not plugged in, there should be additional power supply in the indoor unit.



- 2 The panel (display) should be connected to an indoor unit to receive option.
- 3 Before installing the indoor unit, assign an address to the indoor unit according to the air conditioning system plan.
- 4 Assign an indoor unit address by wireless remote controller.
 - The initial setting status of indoor unit ADDRESS(MAIN/RMC) is "0A0000-100000-200000-300000"
 - There is no need to assign extra ADDRESS for 1:1 installation between indoor unit and outdoor unit.

Option No. : 0AXXXX-1XXXXX-2XXXXX-3XXXXX

Option	SEG1		SEG2		SEG3		SEG4		SEG5		SEG6	
Explanation	Page		Mode		Setting main address		100-digit of indoor unit address		10-digit of indoor unit		A single digit of indoor unit	
Indication and details	Indication	Details	Indication	Details	Indication	Details	Indication	Details	Indication	Details	Indication	Details
	0		A		0	No Main address	0-9	100-digit	0-9	10-digit	0-9	A single digit
					1	Main address setting mode						
Option	SEG7		SEG8		SEG9		SEG10		SEG11		SEG12	
Explanation	PAGE				Setting RMC address				Group channel(*16)		Group address	
Indication and Details	Indication	Details	Indication	Details	Indication	Details	Indication	Details	Indication	Details	Indication	Details
	1				0	No RMC address			RMC1	1-F	RMC2	1-F
					1	RMC address setting mode						

※ You must set RMC address setting mode when using the centralized Control.

CAUTION

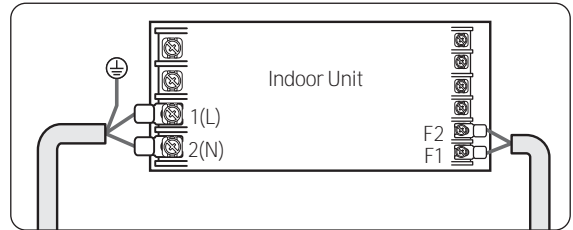
- When "A"-"F" is entered to SEG 4-6, the indoor unit MAIN ADDRESS is not changed.
 - If you set the SEG 3 as 0, the indoor unit will maintain the previous MAIN ADDRESS even if you input the option value of SEG 4-6.
 - If you set the SEG 9 as 0, the indoor unit will maintain previous RMC ADDRESS even if you input the option value of SEG 11-12.
- 5 The MAIN address is for communication between the indoor unit and the outdoor unit. Therefore, you must set it to operate the air conditioner properly.

Installation Procedure

Setting an indoor unit installation option (suitable for the condition of each installation location)

The following explains how to set the options for the RAC models. For other models, refer to the installation manual included with each product.

- 1 Check whether power is supplied or not.
 - When the indoor unit is not plugged in, there should be additional power supply in the indoor unit.



- 2 The panel (display) should be connected to an indoor unit to receive option.
- 3 Before installing the indoor unit, assign an option to the indoor unit according to the air conditioning system plan.
 - The default settings for installation of the indoor unit are as follows:
 - AR07/09/12/15TSFABWKN: 020010-100000-200101-300346
 - AR18/24TSFABWKN, AR18/24BSFCMWKN: 020010-100000-200101-300357
 - AR07/09/12/15BSFCMWKN: 020010-100000-200101-300335
 - Individual control of a remote controller(SEG20) is the function that controls an indoor unit individually when there is more than one indoor unit.
- 4 Set the indoor unit option by wireless remote controller.
 - When entering Address option, connect remote controller receiver.

Option	SEG1		SEG2		SEG3	SEG4		SEG5		SEG6
Explanation	Page		Mode		Reserved	Use of external temperature sensor		Use of central control		Reserved
Indication and Details	Indication	Details	Indication	Details		Indication	Details	Indication	Details	
	0		2			0	Use	0	Disuse	
						1	Disuse	1	Use	
Option	SEG7		SEG8		SEG9	SEG10		SEG11		SEG12
Explanation	Page		Use of drain pump (*1)		Reserved	Reserved		Reserved		Reserved
Indication and Details	Indication	Details	Indication	Details						
	1		0	Disuse						
			8	External drain pump signal use						

Option	SEG13		SEG14		SEG15		SEG16	SEG17		SEG18
Explanation	Page		Use of external control		Setting the output of external control		Reserved	Buzzer control		Reserved
Indication and Details	Indication	Details	Indication	Details	Indication	Details		Indication	Details	
	2		0	Disuse	0	Thermo ON		0	Use of buzzer	
			1	ON or OFF control						
			2	OFF control	1	Operation ON	1	Disuse of buzzer		
3	Window ON or OFF control (*2)									
Option	SEG19		SEG20		SEG21		SEG22	SEG23		SEG24
Explanation	Page		Individual control with remote control (*3)		Reserved		Reserved	Reserved		Reserved
Indication and Details	Indication	Details	Indication	Details						
	3		0	Channel 1						
			1	Channel 1						
			2	Channel 2						
			3	Channel 3						
4	Channel 4									

(*1) If external drain pump signal is used, external control (SEG14) can't be used.

(*2) The window on/off function applies to the following unit

- AR*****

(*3) If you input a number other than 0-4 of the individual control of the indoor unit(SEG20), the indoor is set as "indoor1".

Installation Procedure

Step 14 Cool and Heat modes operation test

After installing the outdoor and indoor units, test the **Cool** and **Heat** modes.

- When you test the **Cool** mode, set the set temperature of the indoor unit to the lowest one. And when you test the **Heat** mode, set the set temperature of the indoor unit to the highest one.
- Check if each indoor unit operates normally and then also check if all indoor units operate normally together.
 - Check both of the Cool and Heat modes.
- About 20 minutes after the air conditioner is started, check the temperature difference between the air inlet and outlet of the indoor unit. If the temperature difference is larger than the value given in the following table, the operation is normal.

Mode	Temperature
Cool	Approximately 14.4 °F (-10 °C)
Heat	Approximately 21.6 °F (-6 °C)

CAUTION

- If the outdoor unit is turned off and then immediately turned on again, the compressor does not operate for about 3 minutes.
- During the Cool mode, frost may temporarily develop on valves and other parts.

NOTE

- You can also test the Cool or Heat Try run using K1 button.
 - Cool mode try-run: Push the [K1] button twice.
 - Heat mode try-run: Push the [K1] button three times.
 - Auto mode try-run: Push the [K1] button six times.
Automatically select mode according to outdoor temperature.

Step 15 Optional: Setting to Cool or Heat only mode

This function enables the indoor units connected to the outdoor unit to operate in a specific mode.

You can set each mode with Keys on the Main PCB in the outdoor unit.

Set mode	SEG1	SEG2	SEG3	SEG4
Cooling and Heating			0	0
Only Cooling	0	0	0	1
Only Heating			0	2

- Default value: Cooling and Heating mode

Extra Procedures

Pumping down refrigerant

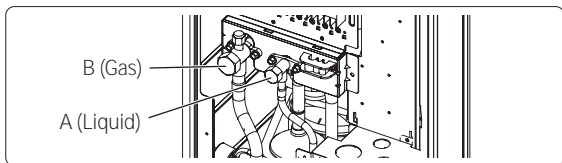
WARNING

- After installing the product, be sure to perform leak tests on the piping connections. After pumping down refrigerant to inspect or relocate the outdoor unit, be sure to stop the compressor and then remove the connected pipes.
 - Do not operate the compressor while a valve is open due to refrigerant leakage from a pipe or an unconnected or incorrectly connected pipe. Failure to do so may cause air to flow into the compressor and too a high pressure to develop inside the refrigerant circuit, leading to an explosion or product malfunction.

Pump-down is an operation intended to collect all the system refrigerant in the outdoor unit.

This operation must be carried out before disconnecting the refrigerant pipe in order to avoid refrigerant loss to the atmosphere.

- 1 Turn the system on in cooling with fan operating at high velocity and then let the compressor run for more than 5 minutes. (Compressor will immediately start, provided 3 minutes have elapsed since the last stop.)
- 2 Release the valve caps on High and Low pressure side.
- 3 Use L-wrench to close the valve on the high pressure side.
- 4 After approximately 2 minute, close the valve on the low pressure side.
- 5 Stop operation of the air conditioner by pressing the (Power) button on the indoor unit or remote control.
- 6 Disconnect the pipes.



- The designs and shape are subject to change according to the model.

Relocating the indoor and outdoor units

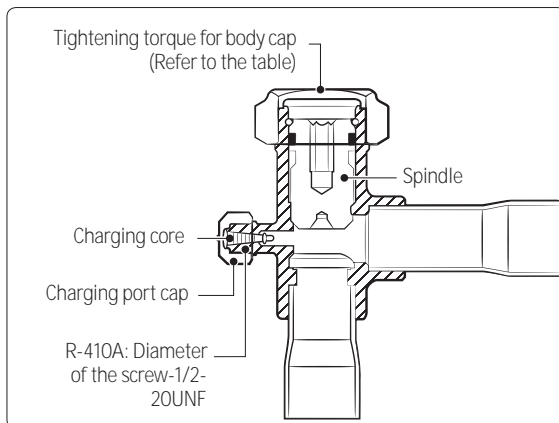
- 1 Pump down refrigerant. See Pumping down refrigerant on page 35.
- 2 Remove the power cord.
- 3 Disconnect the assembly cable from the indoor and outdoor units.
- 4 Remove the flare nuts connecting the indoor units and the pipes. At this time, cover the pipes of the indoor unit and the other pipes using a cap or vinyl plug to avoid foreign material entering.
- 5 Disconnect the pipes connected to the outdoor units. At this time, cover the valve of the outdoor units and the other pipes using a cap or vinyl plug to avoid foreign material entering.

Note: Make sure you do not bend the connection pipes in the middle and store together with the cables.
- 6 Move the indoor and outdoor units to a new location.
- 7 Remove the mounting plate for the indoor unit and move it to a new location.

Using the stop valve

Opening the stop valve

- 1 Open the cap and turn the stop valve anticlockwise by using a hexagonal wrench.
- 2 Turn it until the axis is stopped.



Extra Procedures

3 Tighten the cap securely.

Outer Diameter [inch (mm)]	Tightening torque	
	Body cap [(lbf·ft (N·m))]	Charging port cap [(lbf·ft (N·m))]
Φ1/4 (Ø 6.35)	14.8 to 18.4 (20 to 25)	7.4 to 8.9 (10 to 12)
Φ3/8 (Ø 9.52)		
Φ1/2 (Ø 12.70)	18.4 to 22.1 (25 to 30)	
Φ5/8 (Ø 15.88)	22.1 to 25.8 (30 to 35)	

NOTE

- Do not apply excessive force to the stop valve and always use special instruments. Otherwise, the stopping box can be damaged and the back sheet can leak.
- If the watertight sheet leaks, turn the axis back by half, tighten the stopping box, then check the leakage again. If there is no leakage any more, tighten the axis entirely.

Closing the stop valve

- 1 Remove the cap.
- 2 Turn the stop valve clockwise by using a hexagonal wrench.
- 3 Tighten the axis until the valve reached the sealing point.
- 4 Tighten the cap securely.

CAUTION

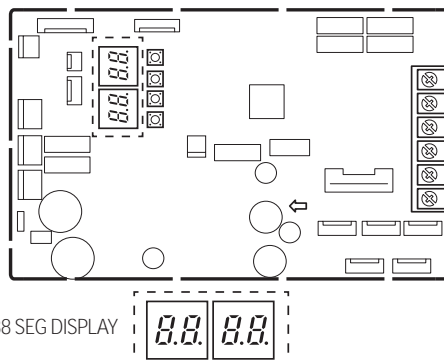
- When you use the service port, always use a charging hose, too.
- Check the leakage of refrigerant gas after tightening the cap.
- Must use a spanner and wrench when you open/ tighten the stop valve.

Appendix

Troubleshooting

- The table below list the self-diagnostic routines. For some of error, you must contact an authorized service center.
- If an error occurs during the operation, it is displayed on the outdoor unit PCB MAIN-OUT.

PCB MAIN - OUT



Error Code	Explanation	Remark
E108	ERROR DUE TO REPEATED ADDRESS SETTING(WHEN 2 OR MORE DEVICES HAS THE SAME ADDRESS WITHIN THE NETWORK)	
E190	PIPE CHECK ERROR	
E199	PIPE CHECK OPERATION HAS NOT BEEN COMPLETED	
E201	COMMUNICATION ERROR BETWEEN INDOOR AND OUTDOOR UNIT(INSTALLATION NUMBER SETTING ERROR, REPEATED INDOOR UNIT ADDRESS, INDOOR UNIT COMM)	
E202	COMMUNICATION ERROR BETWEEN INDOOR AND OUTDOOR UNIT(COMMUNICATION ERROR ON ALL INDOOR UNITS, OUTDOOR UNIT COMMUNICATION CABLE ERROR)	
E203	COMMUNICATION ERROR BETWEEN INVERTER PBA AND MAIN PBA	
E221	ERROR ON AMBIENT TEMPERATURE SENSOR (SHORT OR OPEN)	
E237	ERROR ON CONDENSOR TEMPERATURE SENSOR(SHORT OR OPEN)	
E251	ERROR ON DISCHARGE TEMPERATURE SENSOR(SHORT OR OPEN)	
E320	ERROR ON COMPRESSOR OLP TEMPERATURE SENSOR(SHORT OR OPEN)	
E330	ERROR ON PIPE IN-A TEMPERATURE SENSOR(SHORT OR OPEN)	
E331	ERROR ON PIPE IN-B TEMPERATURE SENSOR(SHORT OR OPEN)	
E332	ERROR ON PIPE IN-C TEMPERATURE SENSOR(SHORT OR OPEN)	
E333	ERROR ON PIPE IN-D TEMPERATURE SENSOR(SHORT OR OPEN)	
E334	ERROR ON PIPE IN-E TEMPERATURE SENSOR(SHORT OR OPEN)	
E335	ERROR ON PIPE OUT-A TEMPERATURE SENSOR(SHORT OR OPEN)	
E336	ERROR ON PIPE OUT-B TEMPERATURE SENSOR(SHORT OR OPEN)	
E337	ERROR ON PIPE OUT-C TEMPERATURE SENSOR(SHORT OR OPEN)	
E338	ERROR ON PIPE OUT-D TEMPERATURE SENSOR(SHORT OR OPEN)	
E339	ERROR ON PIPE OUT-E TEMPERATURE SENSOR(SHORT OR OPEN)	

Error Code	Explanation	Remark
E401	OUTDOOR UNIT FREEZING-SAFETY CONTROL(COMPRESSOR STOP)	
E404	OUTDOOR UNIT OVERLOAD-SAFETY CONTROL(COMPRESSOR STOP)	
E416	COMPRESSOR OPERATION STOP DUE TO DISCHARGE TEMPERATURE PROTECTION CONTROL	
E422	HIGH PRESSURE BLOCKAGE CONTROL	
E440	HEATING MODE RESTRICTION DUE TO HIGH AIR TEMPERATURE	
E441	COOLING MODE RESTRICTION DUE TO LOW AIR TEMPERATURE	
E458	FAN MOTOR ERROR	
E461	OPERATION FAILURE OF COMPRESSOR	
E462	COMPRESSOR OPERATION STOP DUE TO FULL LOAD CURRENT CONTROL	
E463	COMPRESSOR OPERATION STOP DUE TO OLP TEMPERATURE CONTROL	
E464	ERROR DUE TO OVER-CURRENT OF COMPRESSOR	
E465	VOLTAGE-LIMIT ERROR OF COMPRESSOR	
E466	ERROR DUE TO LOW/OVER VOLTAGE OF DC LINK IN INVERTER PBA	
E467	ABNORMAL RPM IN COMPRESSOR OR WIRE FOR COMPRESSOR HAS NOT BEEN CONNECTED	
E468	ERROR DUE TO OUTPUT CURRENT SENSOR OF INVERTER PBA(SHORT/OPEN)	
E469	ERROR DUE TO DC LINK VOLTAGE SENSOR OF INVERTER PBA(SHORT/OPEN)	
E470	OUTDOOR UNIT EEPROM READ/WRITE ERROR	
E471	OUTDOOR UNIT EEPROM READ/WRITE ERROR(OTP)	
E474	ERROR ON IPM/PFCM TEMPERATURE SENSOR OF INVERTER PBA(SHORT OR OPEN)	
E475	FAN2 MOTOR ERROR	
E483	OVERVOLTAGE OF H/W DETECT DC LINK	
E484	PFC OVERLOAD(OVER CURRENT) ERROR	
E485	ERROR DUE TO INPUT CURRENT SENSOR OF INVERTER PBA(SHORT/OPEN)	
E488	INCOMING VOLTAGE SENSOR ERROR	
E500	IPM/PFCM OVERHEAT ERROR	
E554	THE REFRIGERANT LEAKS COMPLETELY FROM THE OUTDOOR UNIT	
E563	ERROR DUE TO INDOOR UNIT SOFTWARE VERSION COMBINATION(INCOMPATIBLE INDOOR UNIT SOFTWARE ON A SYSTEM)	
E590	INVERTER EEPROM CHECKSUM ERROR	

Memo

SAMSUNG