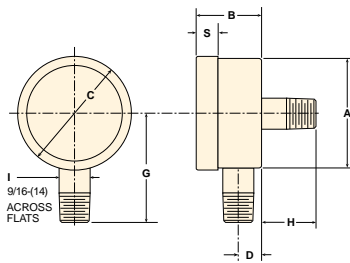
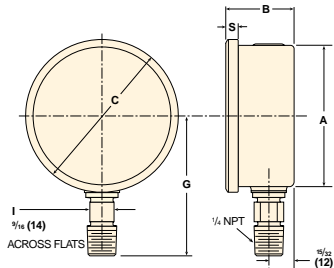


Case Type 1008 – 40mm & 50mm

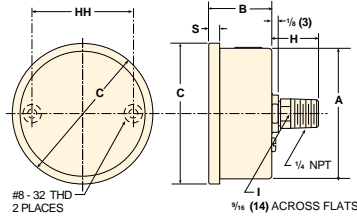


40/50mm lower and back connection

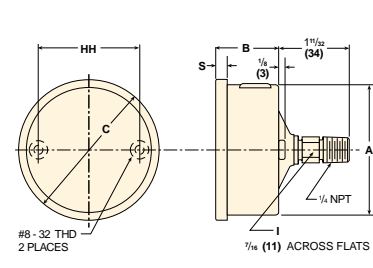


63/100mm 1008S/SL lower connection

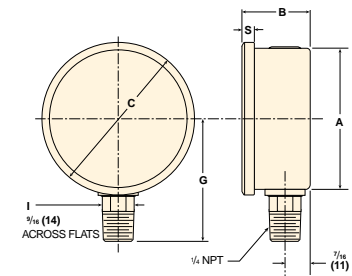
Case Type 1008 – 63mm & 100mm



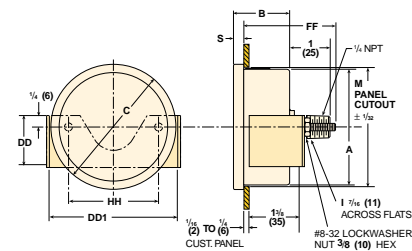
63/100mm 1008A/AL back connection



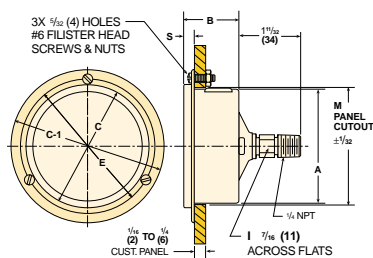
63/100mm 1008S/SL back connection



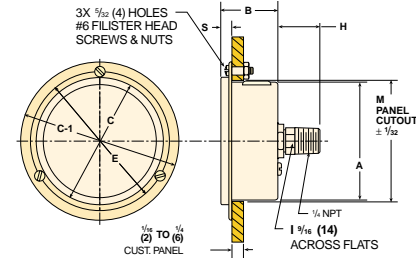
63/100mm 1008A/AL lower connection



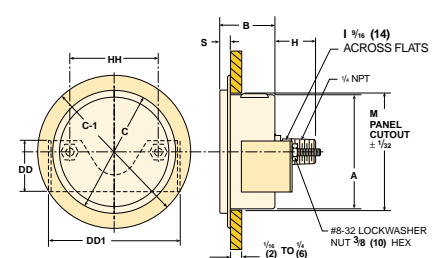
63/100mm 1008A/AL back connection (XUC) U-clamp



63/100mm 1008S/SL back connection (XFF) Front Flange

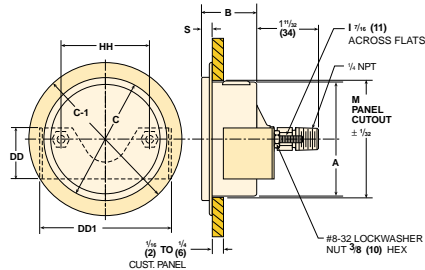


63/100mm 1008A/AL back connection (XFF) Front Flange

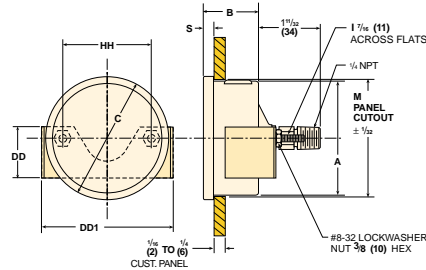


63/100mm 1008A/AL back connection (XRF) Retrofit Front Flange

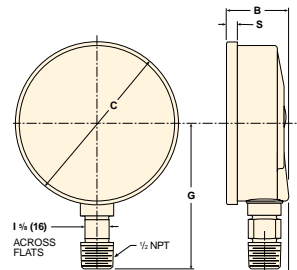
Case Type 1008S – 100mm with 1/2 NPT



63/100mm 1008S/SL back connection (XRF) Retrofit Front Flange



63/100mm 1008S back connection (XUC) U-clamp



100mm 1008S/SL lower connection

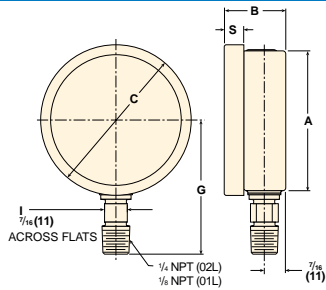
Gauge Size	Weight																				
	A	A-1	B	C	C-1	D	DD	DD1	E	FF	G	G-1	H	HH	I	J	L	M	S	Dry	
(40) 1 1/2	(41) 1 5/8		(25) 3 1/32	(42) 1 21/32		(10) 3/8					(43) 1 11/16		(20) 25/32		(14) 9/16				(8) 5/16	.08kg .17#	.10kg .22#
(50) 2	(52) 2 1/16		(29) 1 1/8	(53) 2 3/32		(10) 3/8					(48) 1 7/8		(24) 15/16		(14) 9/16				(10) 3/8	.12kg .26#	.17kg .37#
(63) 2 1/2	(63) 2 1/2		(31) 1 7/32	(69) 2 23/32	(86) 3 3/8	(19) 3/4	(29) 1 1/8	(73) 2 7/8	(79) 3 1/8	(46) 1 13/16	(55) 2 5/32	(64) 2 1/2	(23) 29/32	(49) 1 15/16	(11) 7/16	(4) 5/32	(71) 2 3/16	(64) 2 17/32	(6) 1/4	.11kg .25#	.21kg .47#
(100) 3 1/2	(100) 3 15/16	(94) 3 23/32	(31) 1 7/32	(106) 4 5/32	(133) 5 7/32	(22) 7/8	(29) 1 1/8	(106) 4 3/16	(116) 4 9/16	(46) 1 13/16	(86) 3 3/8	(81) 3 3/16	(86) 3 3/8	(76) 3	(11) 7/16	(6) 1/4	(97) 3 3/16	(101) 3 31/32	(6) 1/4	.18kg .40#	.42kg .94#
(100)	(100) 3 15/16		(31) 1 7/32	(106) 4 5/32							(91) 3 5/8				(16) 5/8				(6) 1/4	.23kg .50#	.45kg .97#

Note: Dimensions in brackets () are millimeters.

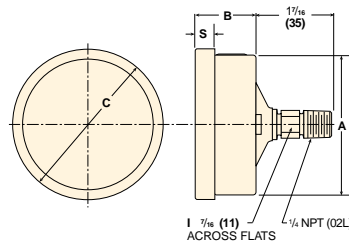
Dimensions

Ashcroft® Stainless Steel Case Pressure Gauges

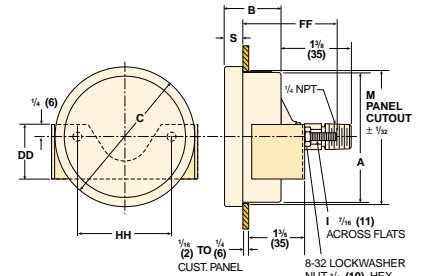
Case Type 1009 – 2½" & 3½"



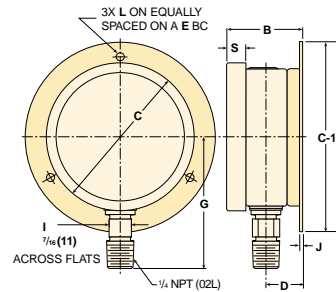
2½" & 3½" 1009 lower connected



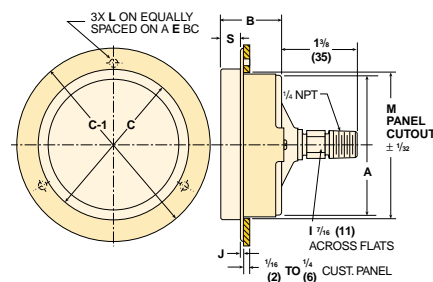
2½" & 3½" 1009 back connected



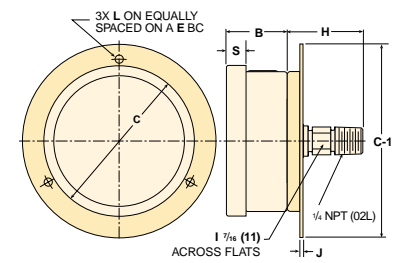
2½" & 3½" 1009 back connected (XUC)



2½" & 3½" 1009 lower connected (XFW)

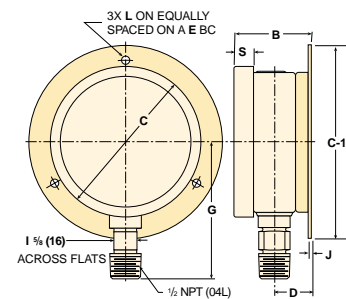


2½" & 3½" 1009 back connected (XFF)

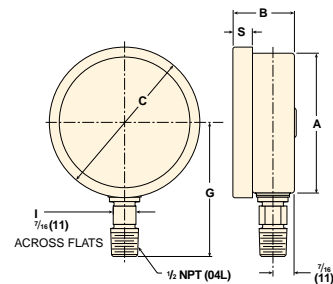


2½" & 3½" back connected (XFW)

Case Type 1009 – 100mm



100mm 1009 lower connected (XFW)

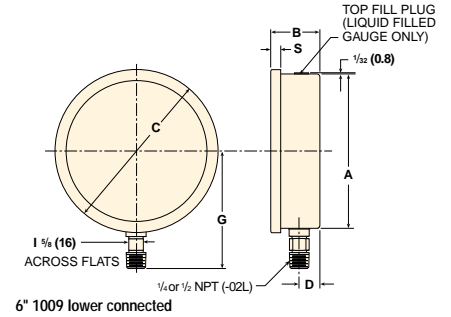
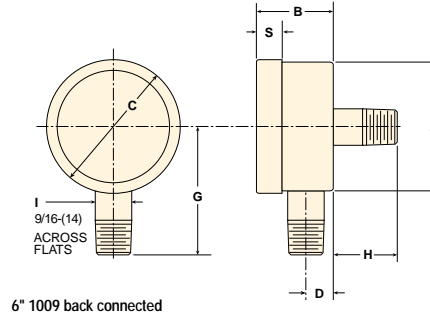
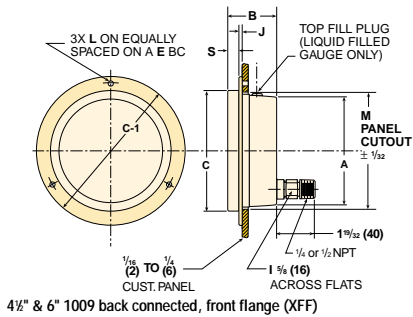
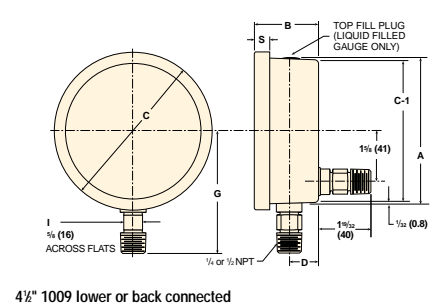
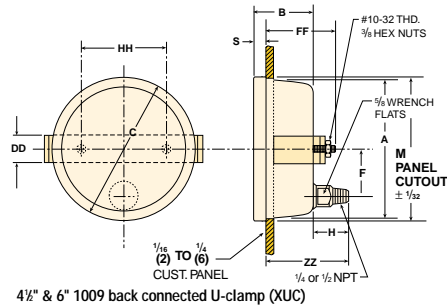
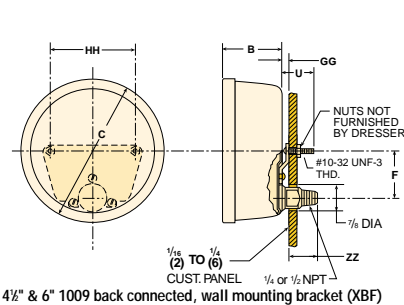


100mm 1009 lower connection

Gauge Size	Dimensions																Weight	
	A	B	C	C-1	D	DD	E	FF	G	H	HH	I	J	L	M	S	Dry	LF
2½ (63)	2 ²¹ / ₃₂ (67)	1 ³ / ₁₆ (30)	2 ⁷ / ₈ (73)	3 ¹¹ / ₁₆ (94)	¾ (19)	1 ¹ / ₈ (29)	3 ¹ / ₈ (79)	1 ¹¹ / ₁₆ (43)	2 ⁹ / ₁₆ (65)	1 ³ / ₃₂ (28)	2 ¹ / ₁₆ (52)	7 ¹ / ₁₆ (11)	1 ¹ / ₁₆ (2)	5 ⁵ / ₃₂ (4)	2 ¹³ / ₁₆ (71)	¾ (10)	.26# .12kg	.50# .32kg
3½ (100)	3 ¹⁹ / ₃₂ (91)	1 ⁹ / ₃₂ (33)	3 ³¹ / ₃₂ (100)	5 ⁷ / ₃₂ (133)	7 ⁷ / ₈ (22)	1 ⁵ / ₃₂ (12)	4 ⁹ / ₁₆ (106)	1 ²⁹ / ₃₂ (48)	3 (76)	3 (76)	2 ¹³ / ₃₂ (61)	7 ¹ / ₁₆ (11)	5 ⁵ / ₃₂ (4)	7 ⁷ / ₃₂ (6)	3 ¹³ / ₁₆ (97)	1 ⁵ / ₃₂ (12)	.44# .20kg	.88# .40kg
(100)	3 ¹⁹ / ₃₂ (91)	1 ¹⁹ / ₃₂ (40)	3 ³¹ / ₃₂ (100)	5 ⁷ / ₃₂ (133)	7 ⁷ / ₈ (22)		4 ⁹ / ₁₆ (116)		3 ¹¹ / ₁₆ (94)			7 ¹ / ₁₆ (11)	5 ⁵ / ₃₂ (4)	7 ⁷ / ₃₂ (6)		1 ⁵ / ₃₂ (12)	.50# .23kg	.97# .45kg

Note: Dimensions in brackets () are millimeters.

Case Type 1009 – 4½ & 6



Gauge Size	Dimensions																			Weight		
	A	A-1	B	C	C-1	D	DD	DD1	E	F	G	GG	H	HH	I	J	L	M	S	U	Dry	LF
4½ (100)	4 ²³ / ₃₂ (120)		2 ¹ / ₁₆ (52)	5 ³ / ₃₂ (129)	4 ⁹ / ₁₆ (116)	1 ⁵ / ₁₆ (24)	1 (25)		5 ⁷ / ₁₆ (129)	1 ⁵ / ₈ (41)	3 ¹⁵ / ₁₆ (100)	3 ³ / ₁₆ (5)	1 ⁵ / ₈ (41)	3 (76)	5/8 (16)	1 ⁹ / ₃₂ (15)		4 ⁵ / ₁₆ (123)	1 ⁵ / ₃₂ (12)	1 ⁷ / ₁₆ (37)	1.75# .79kg	2.40# 1.1kg
6 (160)	6 ⁵ / ₁₆ (160)		2 ¹ / ₁₆ (52)	6 ²¹ / ₃₂ (169)	7 ⁵ / ₈ (194)	1 ⁵ / ₁₆ (24)	1 (25)		7 ¹ / ₃₂ (179)	1 ⁵ / ₈ (41)	4 ¹³ / ₁₆ (122)	3 ³ / ₁₆ (5)	1 ⁵ / ₈ (41)	4 ¹ / ₂ (114)	5/8 (16)	1 ¹¹ / ₁₆ (17)		6 ⁷ / ₁₆ (163)	1 ⁵ / ₃₂ (12)	1 ⁷ / ₁₆ (37)	2.25# .1kg	4.12# 1.85k

Note: Dimensions in brackets () are millimeters.