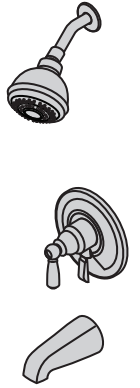









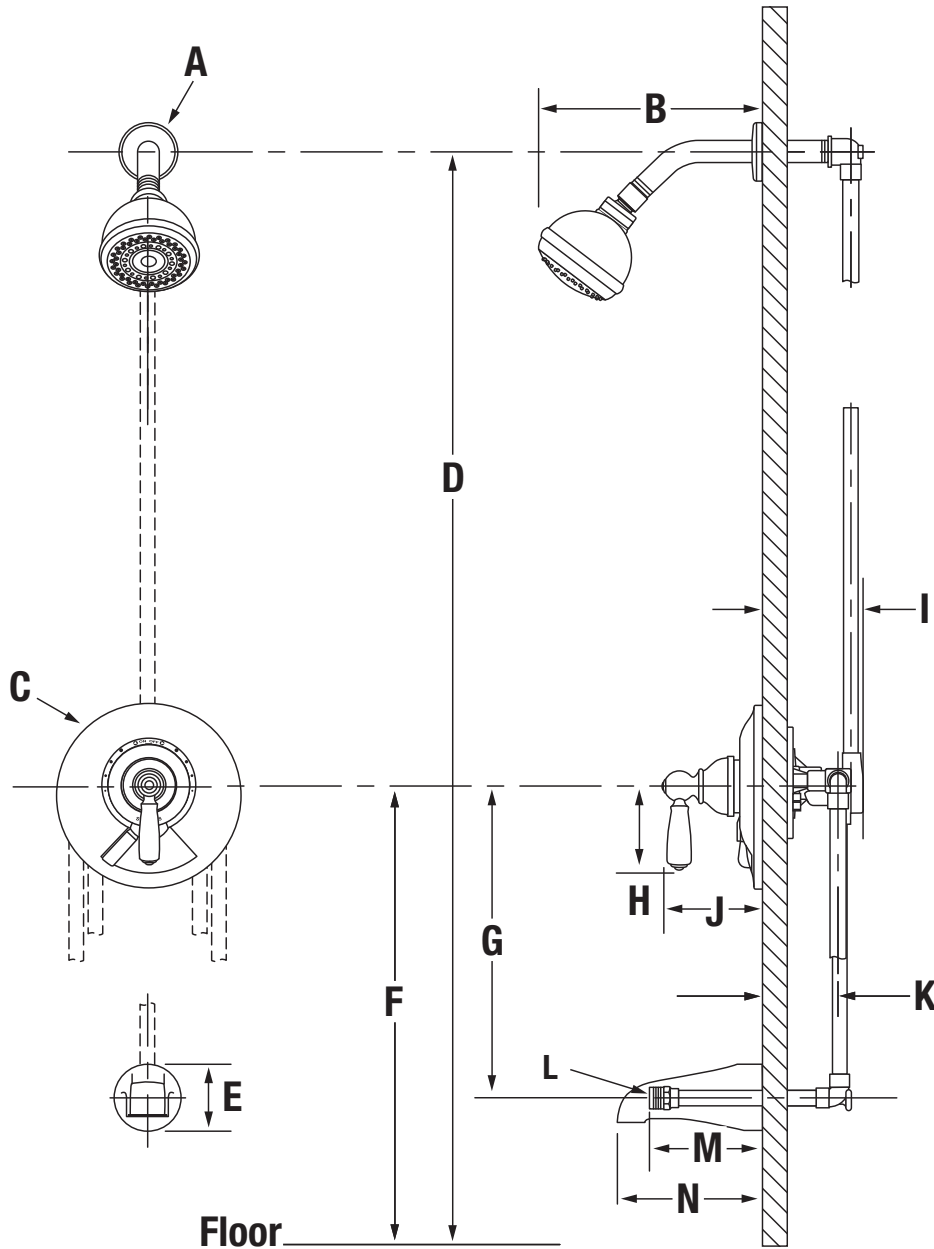
S-4700-TRM, S-4701-TRM, S-4702-TRM
 Allura® Trim Series
Operation & Maintenance Manual



Model Numbers	Specification
<ul style="list-style-type: none"> <input type="checkbox"/> S-4700-TRM <i>Valve Trim</i> <input type="checkbox"/> S-4701-TRM <i>Shower Trim</i> <input type="checkbox"/> S-4702-TRM <i>Tub/Shower Trim</i> 	<p>Tub/shower trim with lever handle and secondary diverter lever handle includes non-diverter tub spout and 3 mode showerhead with standard 2.5 gpm (9.5 L/min) flow restrictor. Shower trim with lever handle and secondary volume control lever handle includes all of the above less non-diverter tub spout. Valve trim with lever handle and secondary lever handle includes valve trim only. Components made from metal and nonmetallic materials plated in standard polished chrome finish.</p> <div style="text-align: right;">   </div>
Options/Modifications	Compliance
<ul style="list-style-type: none"> <input type="checkbox"/>  -1.5 <i>1.5 gpm (5.7 L/min) flow restrictor</i> <input type="checkbox"/>  -2.0 <i>2.0 gpm (7.6 L/min) flow restrictor</i> <input type="checkbox"/> -LAM <i>Metal finish insert handle</i> <input type="checkbox"/> -LR <i>Lever handle</i> <input type="checkbox"/> -SS <i>Slip spout on any tub and shower unit</i> <input type="checkbox"/> -STN <i>Satin Nickel finish</i> 	<p>-ASME A112.18.1; CSA B125.1</p> <div style="text-align: right;">  </div> <hr/> <p>Warranty</p> <p>Limited Lifetime - to the original end purchaser in consumer/residential installations. 5 Years - for industrial/commercial installations.</p> <p>Refer to www.symmons.com/warranty for complete warranty information.</p>

Note: Append appropriate -suffix to model number.

Dimensions

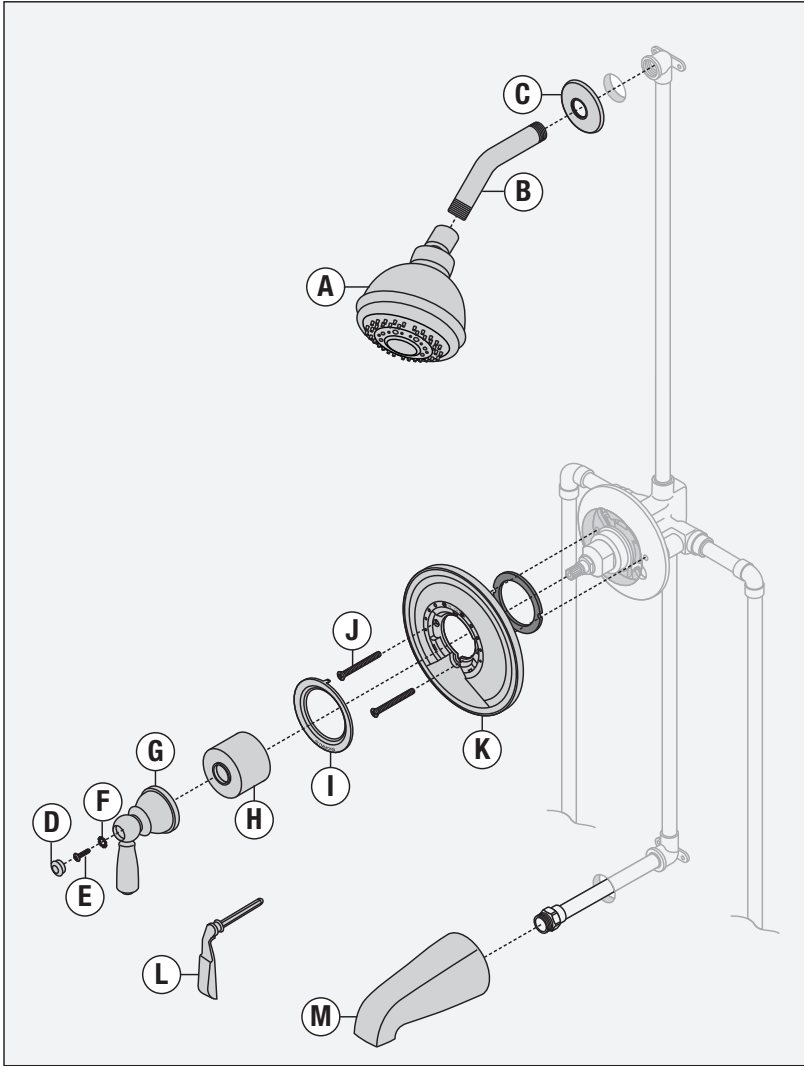


Measurements	
A	Ø 2 1/2", 64 mm
B	6 3/4", 172 mm
C	Ø 7", 178 mm
D	Ref. 77", 1956 mm
E	2 1/2", 64 mm
F	Ref. 32", 813 mm (S-4702-TRM) Ref. 42", 1067 mm (S-4700-TRM, S-4701-TRM)
G	12", 305 mm
H	3 1/8", 79 mm
I	3 1/2", 89 mm
J	4", 102 mm
K	Rough-in 2 3/8" ± 1/2", 60 mm ± 13 mm
L	1/2" NPT
M	4", 102 mm
N	5 1/4", 133 mm

Notes:

- 1) All dimensions measured from nominal rough-in (see K as reference).
- 2) Dimensions subject to change without notice.

Parts Breakdown



***Note:** Apply a bead of silicone around the perimeter of the escutcheon after installing trim flush with wall. Leave opening on bottom of escutcheon for weep hole.


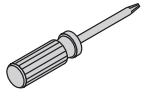

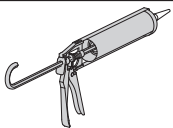
Replacement Parts

Item	Description	Part Number
A	Showerhead	4-143
B	Shower Arm (flange included)	300S
C	Flange	430SS
D	Plug Button	RTS-026
E	Handle Screw	
F	Star Washer	
G	Handle	
H	Dome Cover	T-19
I	Dial	T-131A
J	Mounting Screws	(S-4702-TRM S-4700-TRM)
K*	Shower Escutcheon	T-131B (S-4701-TRM)
L	Secondary Lever Handle	T-139
M	Tub Spout	060

Notes:

- 1) Append -STN to part number for Satin Nickel finish.
- 2) Append -1.5 or -2.0 to showerhead for low flow.

Tools Required for Installation

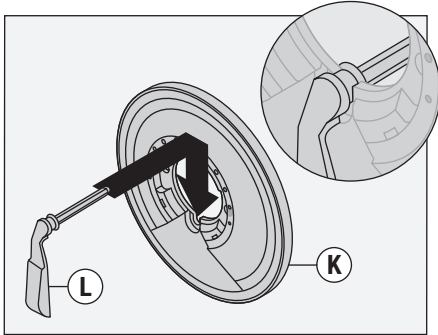
Adjustable wrench	
Phillips head screwdriver	
Plumber tape	
Silicone	

Installation

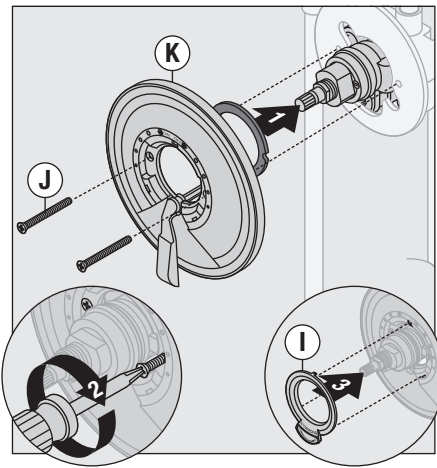
Note:

For valve body installation, please see valve body manual.

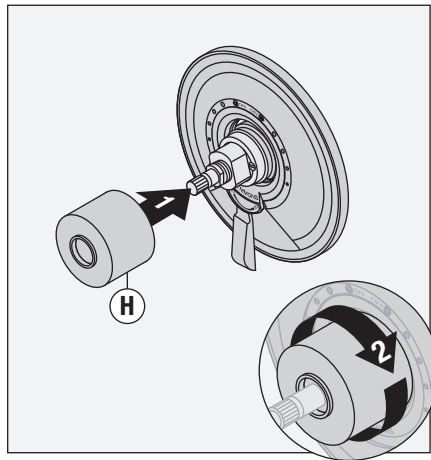
- 1) Install secondary integral diverter (L) into shower escutcheon (K).



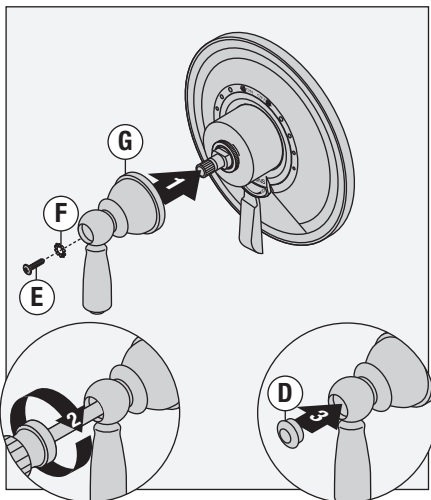
- 2) Install shower escutcheon (K) to shower valve. Secure with two screws (J). Snap insert (I) into shower escutcheon.



- 3) Install dome cover (H) to valve by turning clockwise.

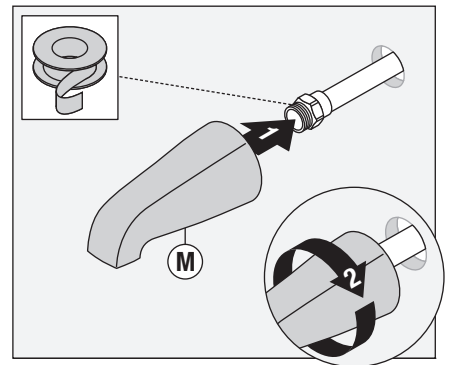


- 4) Install handle (G) to valve and secure with screw (E) and star washer (F). Attach plug button (D) to handle.

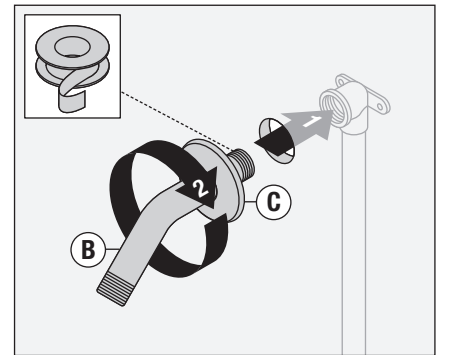


Note: Handle should be facing the 6 o'clock position.

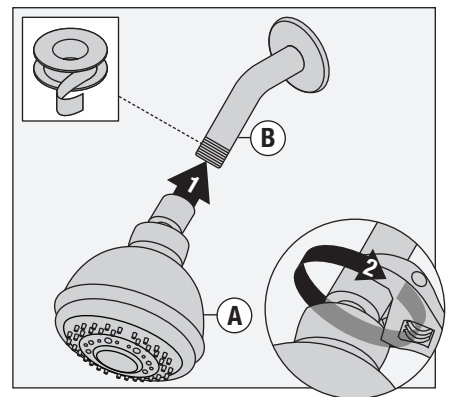
- 5) Install tub spout (M) to pipe fitting. Turn clockwise to secure.



- 6) Attach shower arm (B) and flange (C) to vertical shower pipe turning clockwise to tighten.



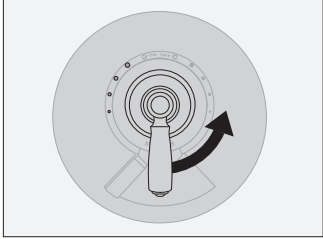
- 7) Install showerhead (A) to shower arm (B) turning clockwise to tighten.



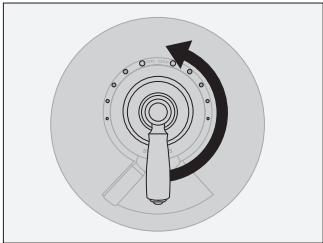
Operation & Maintenance

Temperature Control

- 1) Turn shower handle counterclockwise approximately 1/4 turn to put valve in cold position.



- 2) Turn shower handle counterclockwise approximately 1/2 turn to put valve in warm position.

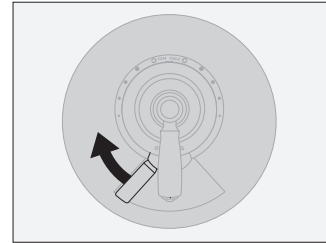


- 3) Turn shower handle counterclockwise approximately 3/4 turn to put valve in hot position.

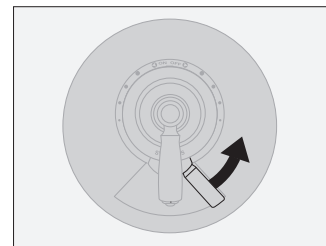


Diverter Control

- 1) Turn diverter left for tub spout operation.



- 2) Turn diverter right for showerhead operation.



Troubleshooting Chart

Finish is spotting.	Elements in water supply may cause water staining on finish.	Clean finished trim area with a soft cloth using mild soap and water or a non-abrasive cleaner and then quickly rinse with water.
---------------------	--	---