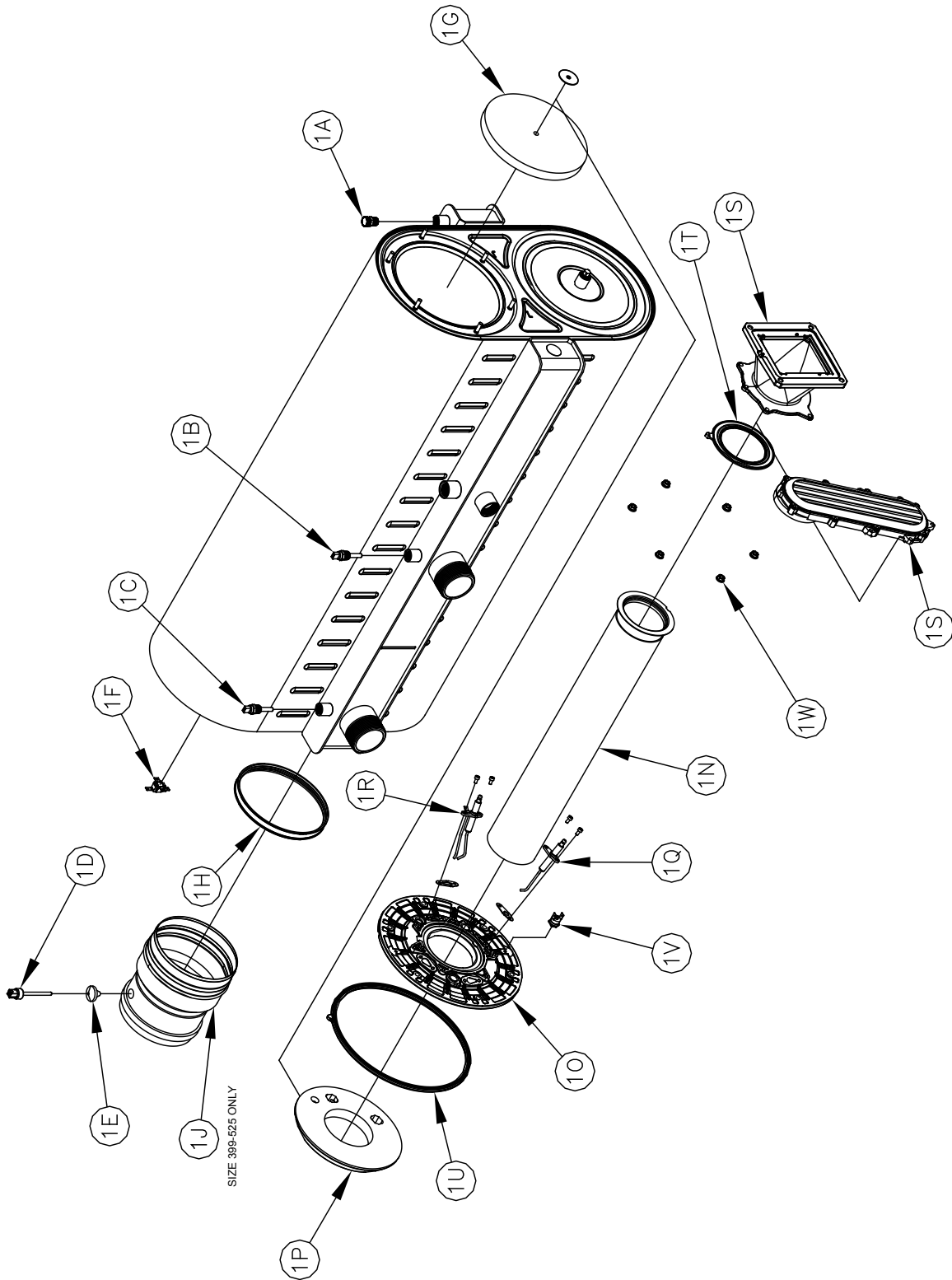


XIII. Repair Parts

All Alpine Repair Parts may be obtained through your local authorized U.S. Boiler Company representatives or outlets. Should you require assistance in locating a U.S. Boiler Company representative or outlet in your area, or have questions regarding the availability of U.S. Boiler Company products or repair parts, please contact U.S. Boiler Company Customer Service at (717) 481-8400 or Fax (717) 481-8408.

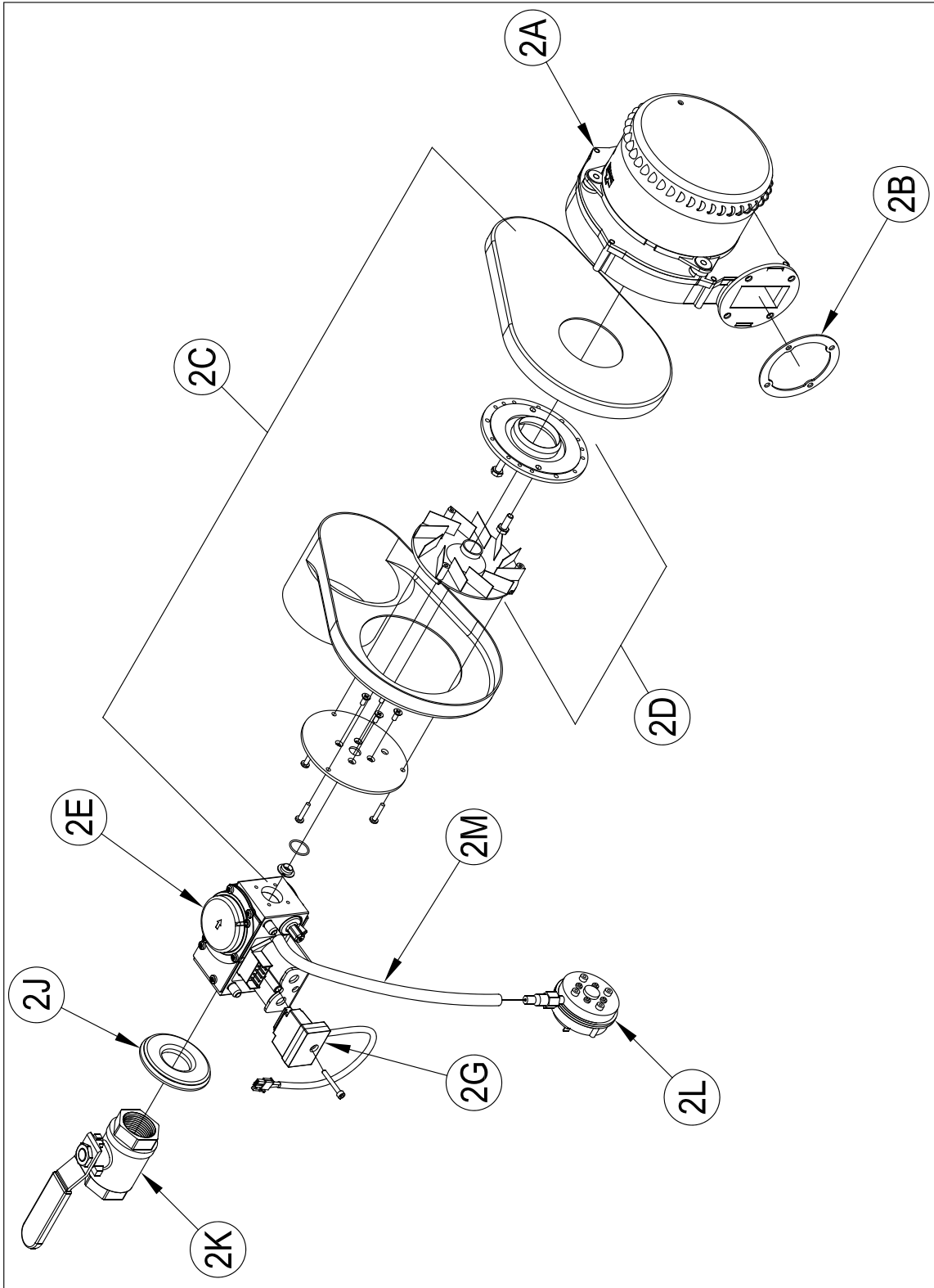


XIII. Repair Parts (continued)

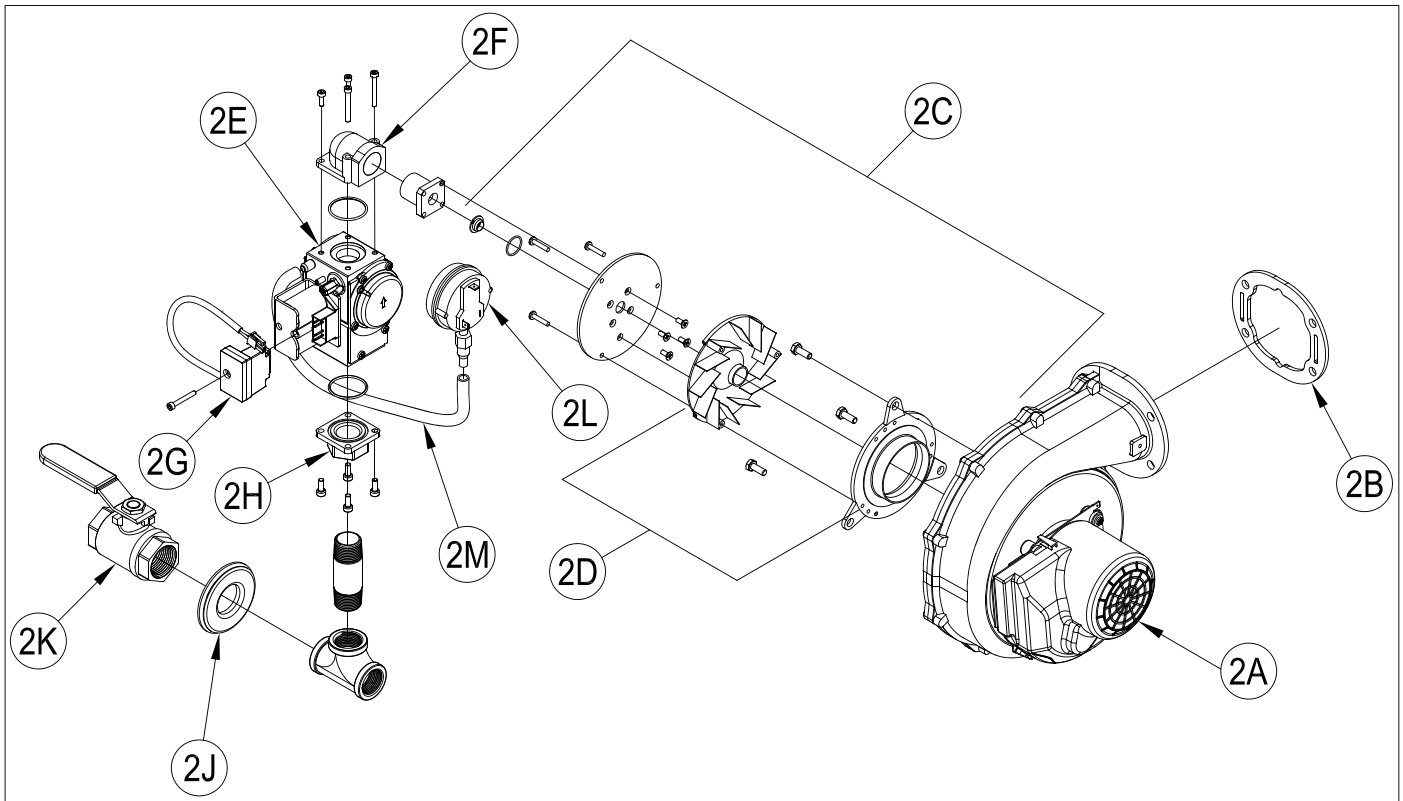
Heat Exchanger Components						
Key No.	Description	Part Number				
		ALP399C	ALP500C	ALP600C	ALP700C	ALP800C
-	Replacement Heat Exchanger Assembly (includes bare heat exchanger, supply and return water temperature sensors, air vent valve and header gaskets)	106464-01	106278-01	106465-01		106279-01
1A	Air Vent Valve	101586-01				
1B	Supply Water Temperature Sensor / High Limit Sensor	106014-01				
1C	Return Water Temperature Sensor	101685-01				
1D	Flue Temperature Sensor	106015-01				
1E	Flue Sensor Grommet	105997-01				
1F	Replacement Thermal Link and Rear Insulation Disc Kit (includes thermal link, disc, hardware, and instructions)	104998-01				
1G	Replacement Rear Insulation Disc Kit (includes disc, hardware, and instructions)	105651-01				
1H	Flue Exit Gasket Replacement Kit (includes gasket and dielectric grease)	104501-01	104502-01			
1J	4" Flue Collar Adapter	105996-01	N/A			
1K	Temperature and Pressure Gauge (not shown)	100282-01	103470-02			
1L	Safety Relief Valve (not shown)	50 PSI: 103837-01	60 PSI: 81660375			
	Alternate Safety Relief Valve Kit (not shown, includes safety relief valve and temperature and pressure gauge)	80 PSI: 104200-01 100 PSI: 104201-01				
1M	Boiler Drain Valve, 3/4 in. NPT (not shown)	806603061				

Burner Components					
Key No.	Description	Part Number			
		ALP399C	ALP500C	ALP600C	ALP700C
1N	Replacement Burner Kit (includes burner, burner gasket, and hardware)	104988-01	104990-01		104991-01
1O	Replacement Burner Door Kit (includes door with inner and outer seals, gaskets for sensor and igniter, insulation, and thermostat; does not include igniter or flame sensor)	104992-01	104993-01		
1P	Burner Door Insulation Kit (WARNING: Contains RCF)	105650-01	105674-01		
1Q	Replacement Flame Sensor Kit (includes sensor, gasket, and hardware)	103339-01	103310-01		
1R	Replacement Igniter Kit (includes igniter, gasket, and hardware)	103005-01	103308-01		
1S	Replacement Gas/Air Duct Kit (includes duct, gaskets, and hardware)	104994-01	106510-01	104996-01	
1T	Burner Gasket	102739-01	104986-01		
1U	Burner Door Outer Seal	101730-01	104985-01		
1V	Burner Door Thermostat with Manual Reset	104569-01			
1W	Burner Door Hex Flange Nut, M6 x 1.0 mm (6 per boiler)	101724-01			

XIII. Repair Parts (continued)

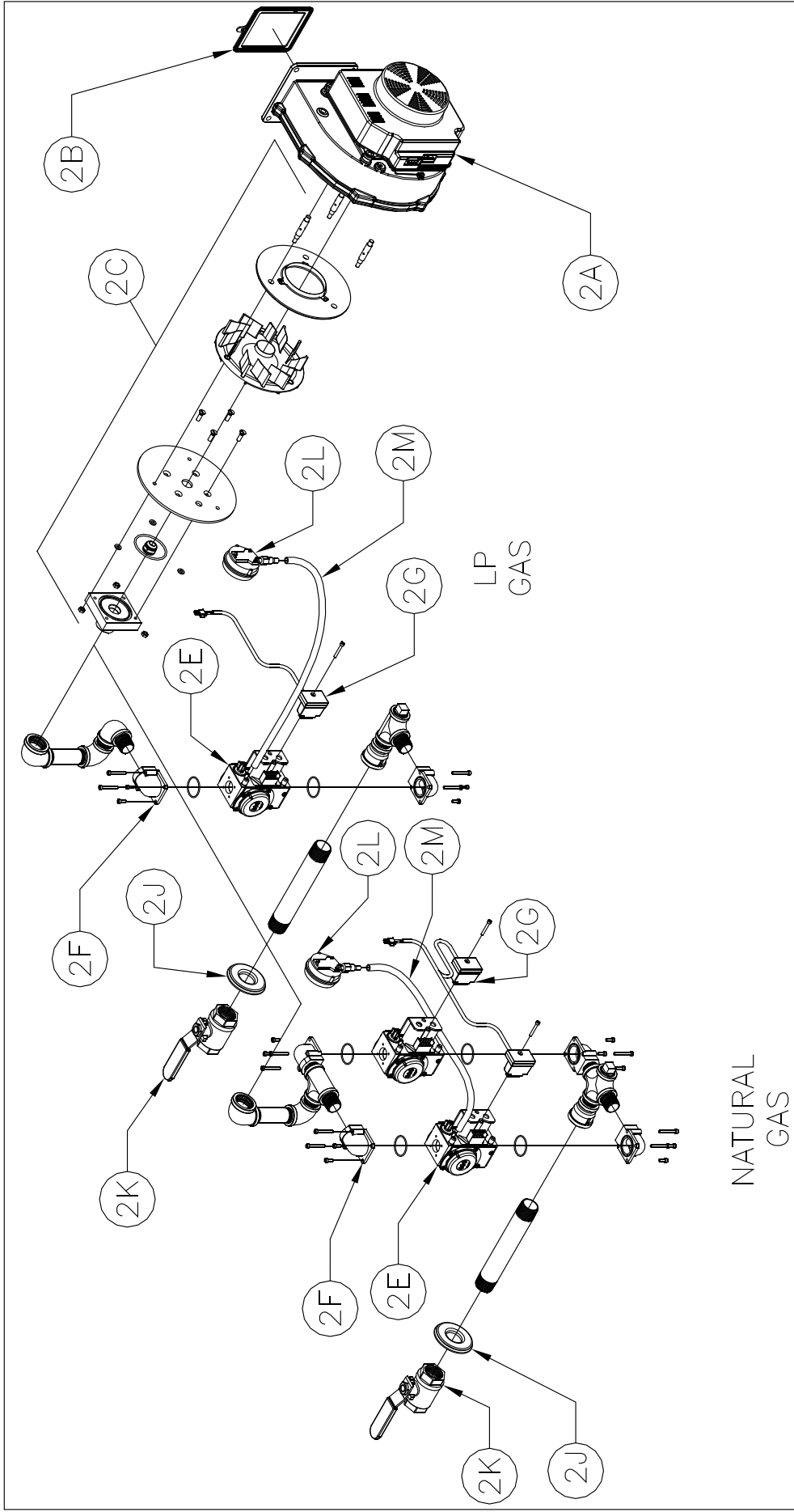


XIII. Repair Parts (continued)



Blower / Gas Train Components			
Key No.	Description	Part Number	
		ALP399C	ALP500C
2A	Replacement Blower Kit (includes blower, blower outlet gasket and hardware)	104999-01	104999-02
2B	Blower Outlet Gasket	101345-01	105995-01
2C	Blower Inlet Assembly (includes gas orifice, injector flange, inlet shroud (425C only), swirl plate, blower adapter plate, and mounting hardware)	101704-04	101704-05
2D	Blower Inlet Replacement Kit (includes swirl plate, blower adapter plate, and mounting hardware)	104620-04	104620-05
2E	Replacement Gas Valve Kit (includes one gas valve and o-rings)	105004-01	105004-04
2F	Gas Valve 90° Flange Kit (includes one 90° flange, o-ring, and hardware)	N/A	102972-03
2G	Gas Valve Wire Harness (includes harness with plug and M4 x 30 mm screw)	102971-01	
2H	Gas Valve Straight Flange Kit (includes one straight flange, o-ring, and hardware)	N/A	102972-02
2J	Gas Line Rubber Grommet	3/4 in. NPT: 101638-01	
2K	Gas Shutoff Valve	3/4 in. NPT: 101615-01	
2L	Air Proving Switch	105976-01	105549-01
2M	Air Proving Switch Tubing, silicone, 5/16 in. ID x 0.07 in. Wall Thickness x 18 in. long	106460-01	

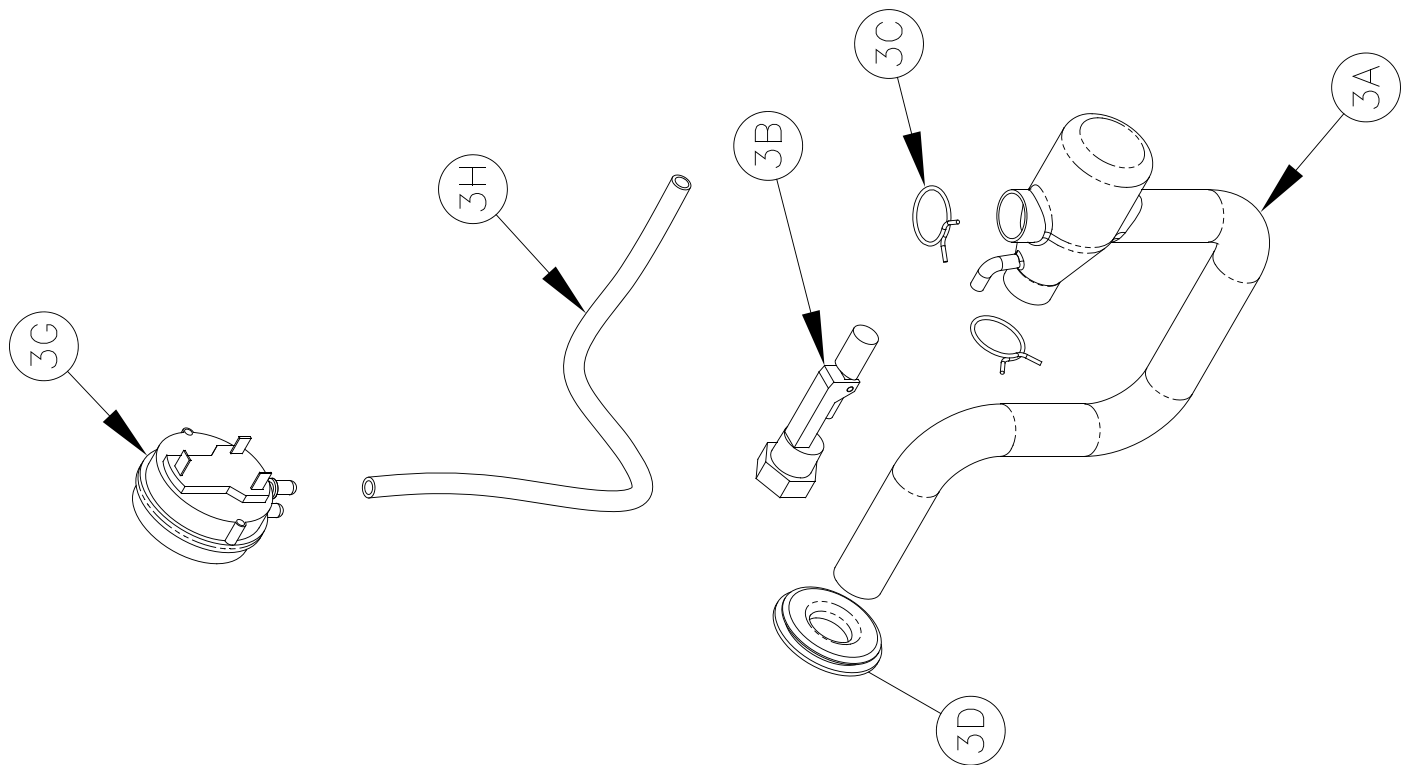
ALP600C, ALP700C and ALP800C
(ALP800C shown)



XIII. Repair Parts (continued)

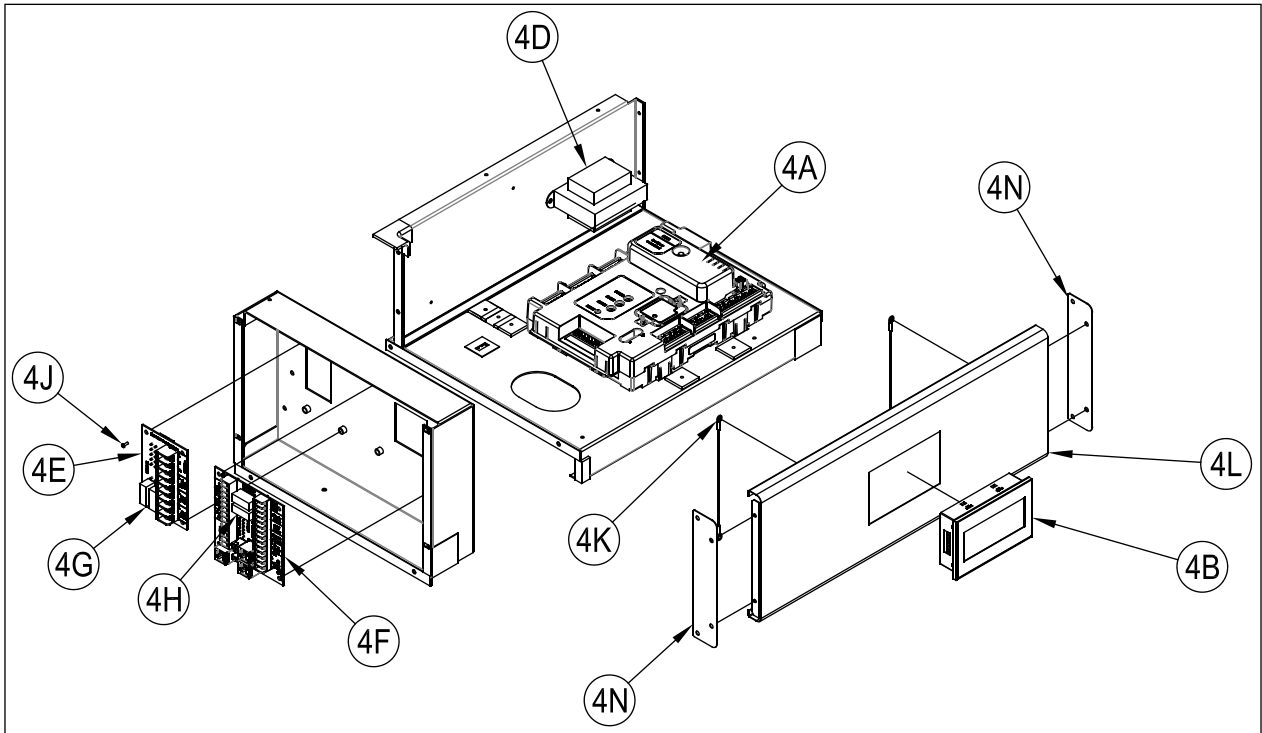
Blower / Gas Train Components				
Key No.	Description	Part Number		
		ALP600C	ALP700C	ALP800C
2A	Replacement Blower Kit (includes blower, blower outlet gasket and hardware)	104999-03		
2B	Blower Outlet Gasket	103263-01		
2C	Blower Inlet Assembly (includes gas orifice, injector flange, inlet shroud (425 only), swirl plate, blower adapter plate, and mounting hardware)	Natural Gas: 105001-01	Natural Gas: 105001-02	103223-01
		LP Gas: 105000-01	LP Gas: 105000-02	
2D	Blower Inlet Replacement Kit (includes swirl plate, blower adapter plate, and mounting hardware)	N/A	N/A	N/A
2E	Replacement Gas Valve Kit (includes one gas valve and o-rings)	Natural Gas: 105004-04		
		LP Gas: 105004-03		
2F	Gas Valve 90° Flange Kit (includes one 90° flange, o-ring, and hardware)	102972-03		
2G	Gas Valve Wire Harness (includes harness with plug and M4 x 30 mm screw)	Natural Gas: 103225-01		
		LP Gas: 103300-01		
2H	Gas Valve Straight Flange Kit (includes one straight flange, o-ring, and hardware)	N/A	N/A	N/A
N/A	Gas Line Rubber Grommet	1 in. NPT: 103252-01		
2K	Gas Shutoff Valve	1 in. NPT: 816SOL0015		
2L	Air Proving Switch	105998-01	106002-01	
2M	Air Proving Switch Tubing, silicone, 5/16 in. ID x 0.07 in. Wall Thickness x 18 in. long	106460-01		

XIII. Repair Parts (continued)

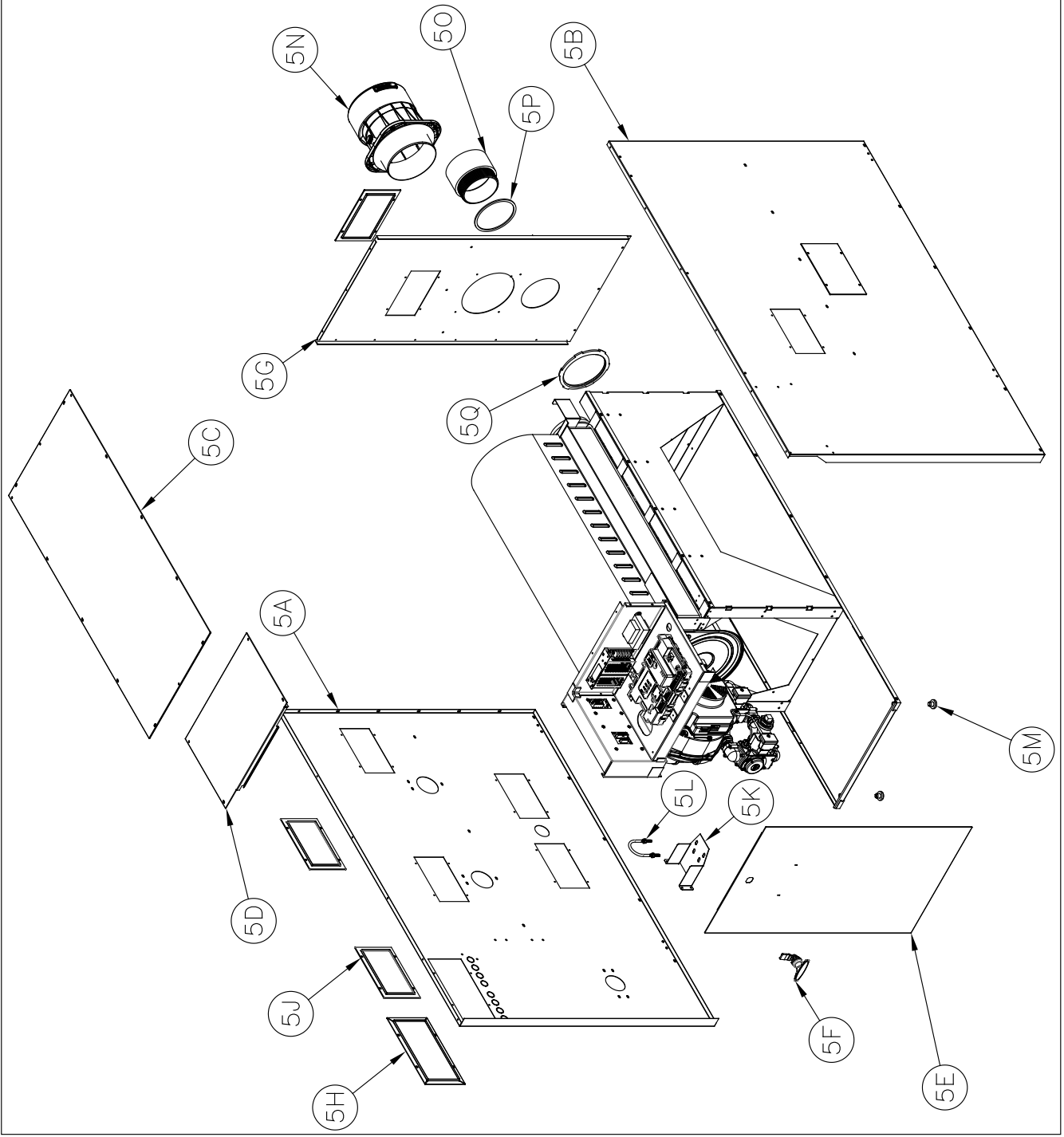


Condensate Trap and Related Components						
Key No.	Description	Part Number				
		ALP399C	ALP500C	ALP600C	ALP700C	ALP800C
3A	Replacement Condensate Trap Kit (includes trap, float switch, grommet, coupling, and clamps)	104704-01	105006-01			
3B	Replacement Condensate Float Switch Kit (includes float switch and clamp)	105005-01				
3C	Spring Hose Clamp, 15/16 in. OD hose	101632-01				
3D	Rubber Grommet, Condensate Trap	101595-01				
3E	Condensate Neutralizer Kit (not shown, includes limestone chips)	101867-01				
3F	Limestone Chips, 2 lb. bag (not shown)	101873-01				
3G	Sump Pressure Switch	104426-01	105999-01		106414-01	
3H	Air Pressure Switch Tubing, Silicone, 3/16 in. ID x 0.07 in. Wall Thickness	13.5 in. 7016041	22 in. 102770-01	24 in. 104658-01	28 in. 103257-01	

XIII. Repair Parts (continued)



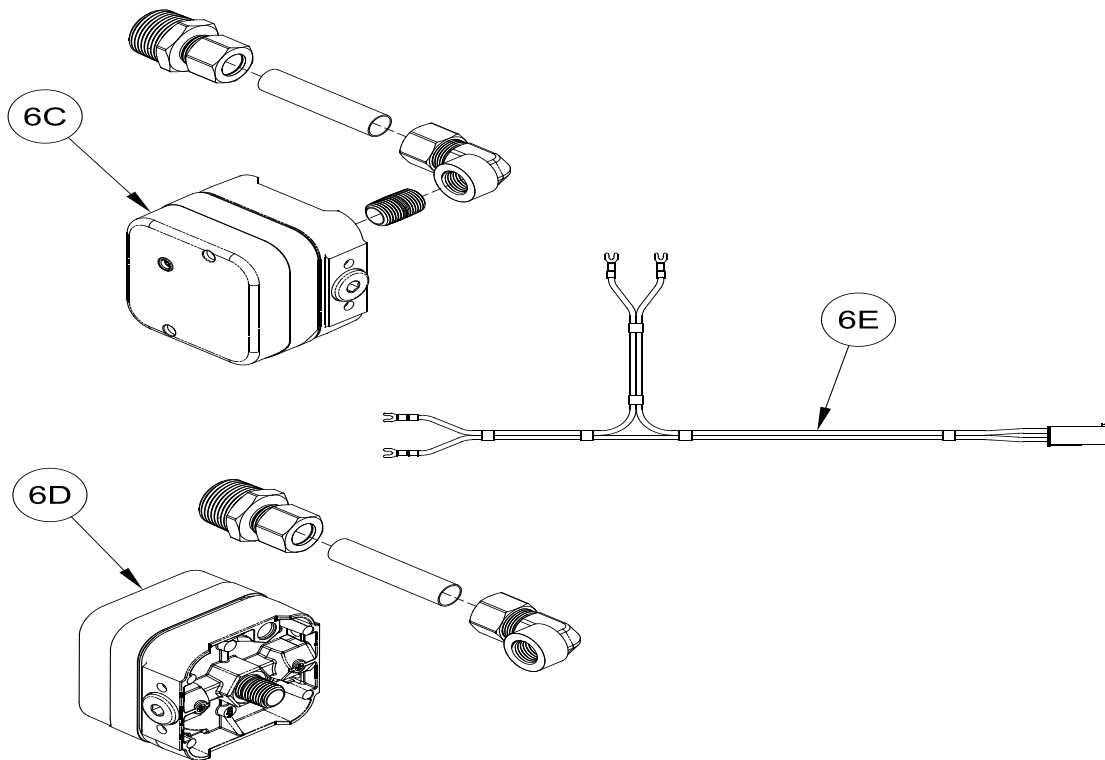
Control Components					
Key No.	Description	Part Number			
		ALP399C	ALP500C	ALP600C	ALP700C
4A	Replacement Control Kit (programmed)	106498-01	106498-02		
4B	Replacement Display Kit (programmed, includes mounting hardware)	106508-01			
4D	Transformer	102516-01	103193-01		
4E	Replacement 120V PCB Kit (includes PCB, fuses, and hardware)	106512-01			
4F	Replacement Low Voltage PCB Kit (includes PCB, fuses, and hardware)	106513-01			
4G	Pump Fuse, 5x20mm, 6.3A Slow Blow	105300-01			
4H	24V Fuse, 5x20mm	1.6A, Slow-Blow 105299-01		2.0A, Fast-Acting 106073-01	
4J	Machine Screw, 8-32 x 1/2 in.	101033-01			
4K	Strain Relief Cable	106016-01			
4L	Display Panel	106274-01			
4N	Display Panel End Cap	106273-01			



XIII. Repair Parts (continued)

Jacket and Trim Components					
Key No.	Description	Part Number			
		ALP399C	ALP500C	ALP600C	ALP700C
5A	Left Side Panel	106249-01	106249-02	106249-03	106249-04
5B	Right Side Panel (includes rating label instructions)	106517-01	106517-02	106517-03	106517-04
5C	Top Panel (includes gaskets)	106254-01	106254-02	106254-03	106254-04
5D	Top Control Access Panel (includes label)	106518-01			
5E	Front Door (includes gaskets and labels)	106600-01	106600-02		
5F	Replacement Door Latch Kit (includes latch, cam, and hardware)	106509-01			
5G	Rear Panel (includes gaskets)	106253-01	106253-02	106253-03	
5H	Junction Box Access Panel, 5.5 in. x 10.5 in.	106261-01			
5J	Access Panel, 5 in. x 8 in. (includes gasket)	106255-01			
5K	Gas Train Support Bracket	102611-01	106074-01	106075-01	
5L	U-Bolt for Gas Train Bracket	3/4 in. OD Pipe 102622-01		1-3/4 in. OD Pipe 105563-01	
5M	Nylon Glide Replacement Kit	105014-01			
5N	Vent Connector for CPVC/PP/SS (includes jacket gasket and vent pipe gaskets)	4 in. (100 or 110 mm) 106017-01		6 in. (150 or 160 mm) 106018-01	
5O	Combustion Air Connector, 4 in. PVC Adapter	105991-01			
5P	Combustion Air Connector Gasket	105587-01			
5Q	Combustion Air Connector Locknut, 4 in. Steel	105990-01			

XIII. Repair Parts (continued)



Additional Components						
Key No.	Description	Part Number				
		ALP399C	ALP500C	ALP600C	ALP700C	ALP800C
6A	CSD-1 Kit (not shown, 106056-01 includes man. reset high limit and immersion well; 107421-01 kit includes gas pressure switches) Contact U.S. Boiler Company for LP boilers.	106056-01				107421-01
6B	Gas Pressure Switch Assembly	N/A				106356-01
6C	Low Gas Pressure Switch	N/A				107654-01
6D	High Gas Pressure Switch	N/A				107653-01
6E	Gas Pressure Switch Wire Harness	N/A				106345-01
6F	Flow Switch Kit (not shown, includes switch and paddles)					106383-01
6G	Flow Switch Repair Paddle Kit (not shown, includes paddles and hardware)					106384-01
6H	Outdoor Temperature Sensor (not shown)					102946-01
6J	Header Sensor or DHW Sensor for Direct Immersion, 1/2 in. NPT (not shown)					101935-01
6K	Header Sensor or DHW Sensor for Immersion Well Installation (not shown)					103104-01
6L	Immersion Well, 1/2 in. NPT					80160456
6M	30 in. Long Schedule 40 CPVC Pipe (not shown)	4 in. 102193-02				6 in. 103267-01
6N	Schedule 80 CPVC 90° Elbow (not shown)	4 in. 102192-02				6 in. 103268-01
6O	Vent / Combustion Air Screen (not shown)	4 in. 102191-02				6 in. 102191-03

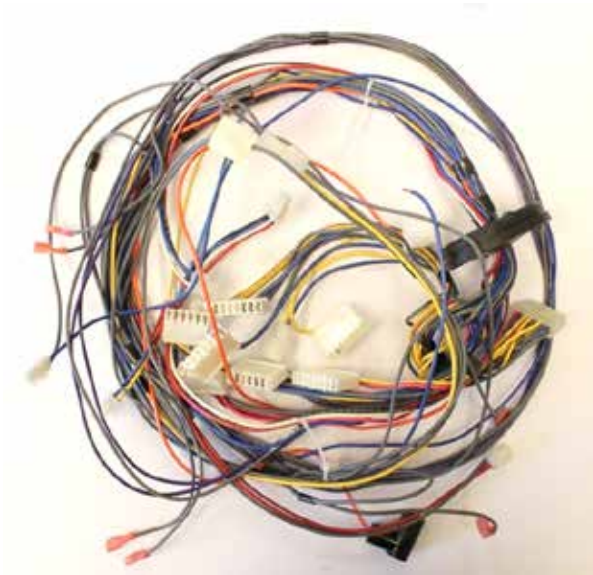
XIII. Repair Parts (continued)



10A



10D



10B



10G



10C

XIII. Repair Parts (continued)



10H



10J

Wiring Harnesses						
Key No.	Description	Part Number				
		ALP399C	ALP500C	ALP600C	ALP700C	ALP800C
10A	120V Harness			106003-01		
10B	Low Voltage Harness			106008-01		
10C	Fan Power Harness			103012-01		
10D	Ignition Harness			107211-01		
10G	GT02 Display Communication Harness			106005-01		
10H	Flow Switch Harness			106385-01		
10J	LWCO Jumper			105111-01		