



# T&S BRASS AND BRONZE WORKS, INC.

2 Saddleback Cove / P.O. Box 1088  
Travelers Rest, SC 29690



REG. #A2601  
ISO #9001

Model No.  
**B-3970**

Item No.

Travelers Rest, SC: 800-476-4103 Simi Valley, CA: 800-423-0150 Fax: 864-834-3518 www.tsbrass.com

This Space for Architect/Engineer Approval

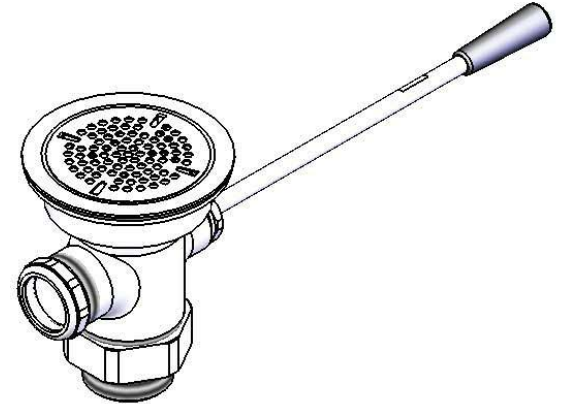
Job Name \_\_\_\_\_ Date \_\_\_\_\_

Model Specified \_\_\_\_\_ Quantity \_\_\_\_\_

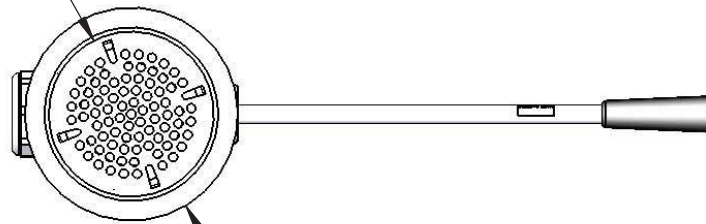
Customer/Wholesaler \_\_\_\_\_

Contractor \_\_\_\_\_

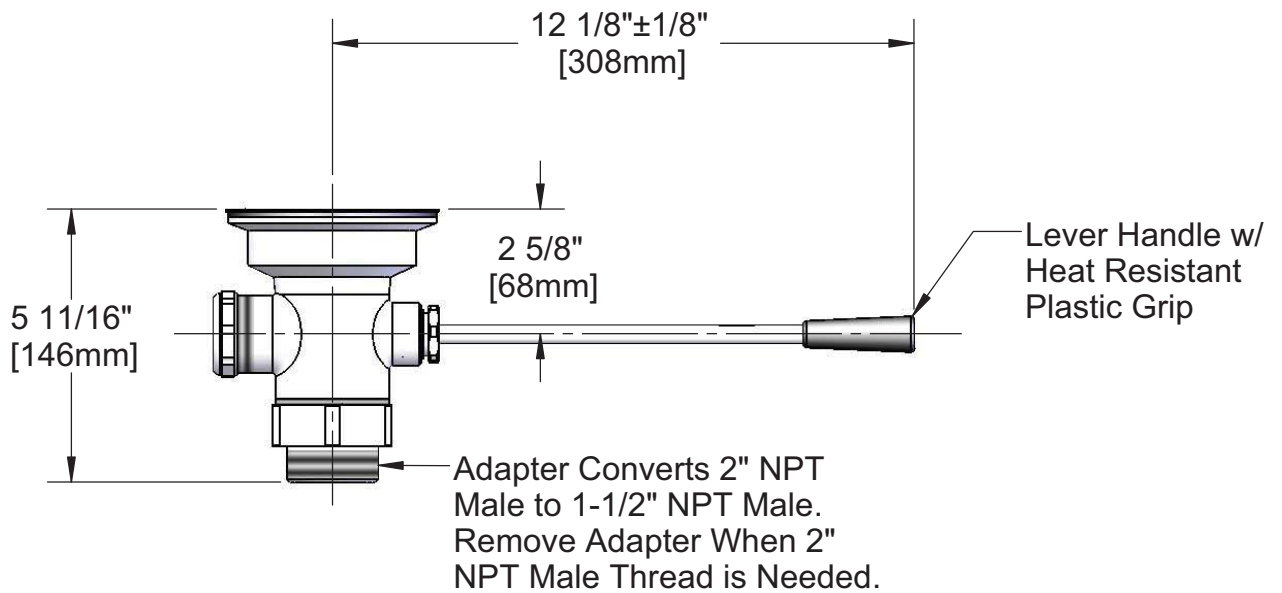
Architect/Engineer \_\_\_\_\_



Removable  
Snap-in Strainer



$\phi 4 \frac{7}{16}''$   
[113mm]



Product Specifications:

Waste Drain Valve w/ Lever Handle, 3 1/2" Sink  
Opening, 2" NPT Male Outlet & 1-1/2" NPT Male Adapter

Drawn  
GEF

Checked  
KJG

Approved  
JHB

Scale:

1:4

Date:

07/15/11