

ZONE215N-25 Technical Data Sheet



| Technical Data | |
|--------------------------|--|
| Fluid | chilled or hot water, up to 50% glycol |
| Flow characteristic | on/off |
| Valve Size [mm] | 0.5" [15] |
| Pipe connector | NPT female ends |
| Housing | forged brass |
| Housing seal | EPDM |
| Stem | stainless steel |
| Seat | EPDM |
| Body Pressure Rating | 300 psi |
| Close-off pressure Δps | 50 psi |
| Cv | 2.5 |
| Weight | 0.88 lb [0.40 kg] |
| Fluid Temp Range (water) | 32...212°F [0...100°C] |
| Leakage rate | ANSI Class III 0.1% |

Application

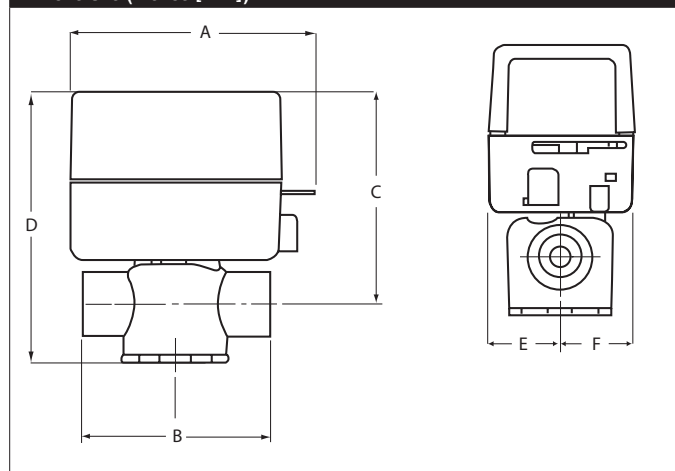
This valve is typically used on fan coil units, baseboards or other hydronic applications where fail safe operation on 2-wire control is required. This valve is suitable for use in a hydronic system with variable or constant flow.

This valve is designed to fit in compact areas where on/off or control is required using 24 VAC or 120 VAC.

Suitable Actuators

| | Spring |
|-------------|--------|
| ZONE215N-25 | ZONE |

Dimensions (Inches [mm])



| A | B | C | D | E | F |
|------------|-----------|-----------|------------|-----------|-----------|
| 4.0" [102] | 2.8" [70] | 3.5" [89] | 4.3" [110] | 1.2" [30] | 1.2" [31] |