

Class 150 • Outside Screw & Yoke • Bolted Bonnet

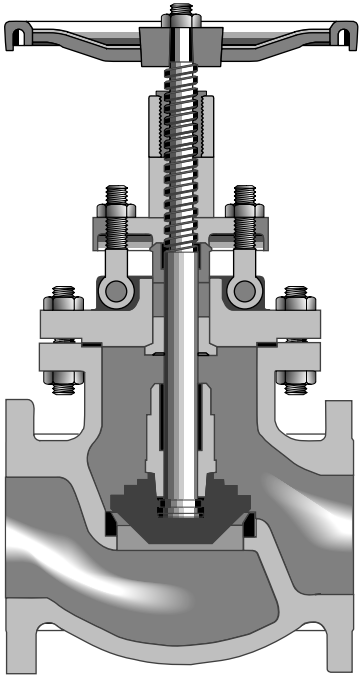


Figure 143
Flanged
Figure 143^{1/2}
Butt Weld

Size Range:
2 through 14 inches

Pressure Temperature Rating
Carbon Steel
ASTM A216 Grade WCB
285 psi @ -20°F to 100°F

Material of Construction

Description	Material
Body	WCB
Bonnet	WCB
Seat Rings	Hardfaced
Disc	13 CR Overlay
Stem	410 SS
Packing	Graphite
Bonnet Gasket	Soft Iron
Back Seat	410 SS
Disc Stem Nut	410 SS
Disc Washer	Carbon Steel
Gland	410 SS
Gland Flange	WCB
Eye Bolt	Steel
Eye Bolt Nuts	A563 Gr. A or O
Pins	-
Bonnet Studs	A193 Gr. B7
Bonnet Nuts	A194 Gr. 2H
Handwheel	WCB
Handwheel Nut	A194 Gr. 2H
I.D. Tags	SS
I.D. Pins	SS

Industry Standards

Steel Valves	ANSI B16.34
Face-to-Face/End-to-End	ANSI B16.10
Flange Dimensions	ANSI B16.5
Weld End	ANSI B16.25
Testing	API 598
Acceptance	API RP591

Dimensions and Weights

Valve Size	Weight (pounds)		Dimensions (inches)		
			A	B	C
	143	143 ^{1/2}	143 & 143 ^{1/2}		
2	47	43	8.00	15.00	8.00
2 ^{1/2}	66	60	8.50	17.12	10.00
3	82	73	9.50	18.50	10.00
4	134	112	11.50	21.00	12.00
5	199	165	14.00	23.00	12.00
6	240	195	16.00	25.50	14.00
8	370	330	19.50	30.00	16.00
10	525	480	24.50	34.00	20.00
12	900	820	27.50	39.50	24.00
14	1000	880	31.00	41.38	24.00

