

## Class 300 • Outside Screw & Yoke • Bolted Bonnet

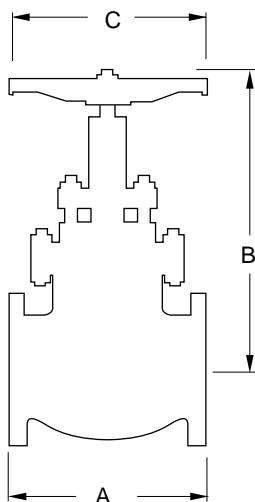
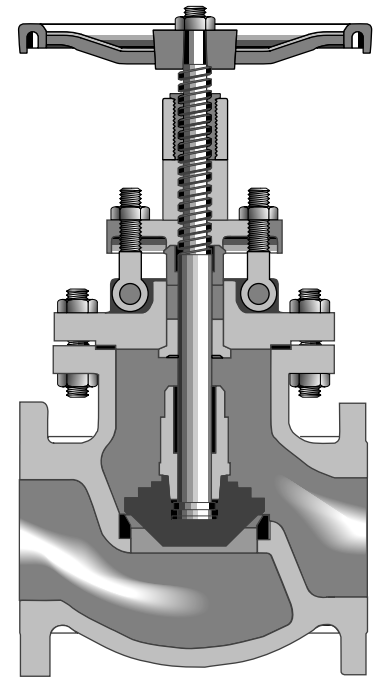
### Material of Construction

| Description   | Material        |
|---------------|-----------------|
| Body          | WCB             |
| Bonnet        | WCB             |
| Seat Rings    | Hardfaced       |
| Disc          | 13 CR Overlay   |
| Stem          | 410 SS          |
| Packing       | Graphite        |
| Bonnet Gasket | Spiral Wound    |
| Back Seat     | 410 SS          |
| Disc Stem Nut | 410 SS          |
| Disc Washer   | Carbon Steel    |
| Gland         | 410 SS          |
| Gland Flange  | WCB             |
| Eye Bolt      | Steel           |
| Eye Bolt Nuts | A563 Gr. A or O |
| Pins          | -               |
| Bonnet Studs  | A193 Gr. B7     |
| Bonnet Nuts   | A194 Gr. 2H     |
| Handwheel     | WCB             |
| Handwheel Nut | A194 Gr. 2H     |
| I.D. Tags     | SS              |
| I.D. Pins     | SS              |

Figure 151  
Flanged  
Figure 151<sup>1/2</sup>  
Butt Weld

**Size Range:**  
2 through 12 inches

**Pressure Temperature Rating**  
Carbon Steel  
ASTM A216 Grade WCB  
740 psi @ -20°F to 100°F



### Industry Standards

|                         |             |
|-------------------------|-------------|
| Steel Valves            | ANSI B16.34 |
| Face-to-Face/End-to-End | ANSI B16.10 |
| Flange Dimensions       | ANSI B16.5  |
| Weld End                | ANSI B16.25 |
| Testing                 | API 598     |
| Acceptance              | API RP591   |

### Dimensions and Weights

| Valve Size       | Weight (pounds) |     | Dimensions (inches) |       |       |
|------------------|-----------------|-----|---------------------|-------|-------|
|                  |                 |     | A                   | B     | C     |
| 2                | 60              | 48  | 10.50               | 16.75 | 8.00  |
| 2 <sup>1/2</sup> | 88              | 73  | 11.50               | 19.00 | 10.00 |
| 3                | 117             | 97  | 12.50               | 21.00 | 10.00 |
| 4                | 176             | 140 | 14.00               | 24.00 | 12.00 |
| 5                | 290             | 240 | 15.75               | 27.50 | 12.00 |
| 6                | 340             | 280 | 17.50               | 31.00 | 16.00 |
| 8                | 530             | 460 | 22.00               | 34.25 | 20.00 |
| 10               | 750             | 620 | 24.50               | 36.00 | 20.00 |
| 12               | 1100            | 900 | 28.00               | 37.25 | 24.00 |