

Class 150 • Rising Stem • Threaded Ends

Figure 7TF

Size Range:

1/4" through 3"

Working Pressures Non-Shock:

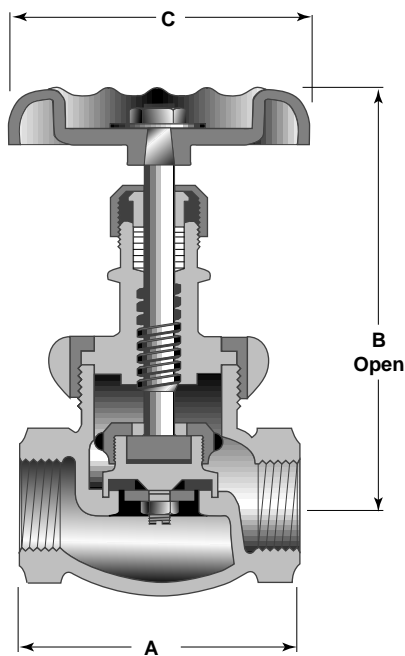
150 psi Steam, Basic Rating

300 psi Cold Working Pressure

Features

- PTFE Disc
- Valves 2" and smaller have union bonnet. Disc holder retains disc and slips on the stem. Sizes 2 1/2" and 3" have bolted bonnet; disc holder is fastened by a disc stem ring.
- Integral Bronze Seat
- MSS Specification SP-80

For more detailed features, refer to page 31.



Principal Parts & Materials

Part	Sizes	Material	ASTM
Body	All	Bronze	B62 alloy C83600
Bonnet	1/4" - 3/8"	Brass	B16 H02
Bonnet	1/2" - 3"	Bronze	B62 alloy C83600
Disc Holder	1/4" - 1/2"	Brass	B16 H02
Disc Holder	3/4" - 3"	Bronze	B62 alloy C83600
Stem	All	Bronze	B371 alloy C69400
Disc	All	PTFE	—

Dimensions and Weights

Inches (millimeters) - pounds (kilograms)

	1/4 (6)	3/8 (10)	1/2 (15)	3/4 (20)	1 (25)	1 1/4 (32)	1 1/2 (40)	2 (50)	2 1/2 (65)	3 (80)
A	1.94 (49)	1.94 (49)	2.56 (65)	2.96 (75)	3.50 (89)	4.02 (102)	4.58 (116)	5.70 (145)	7.25 (184)	8.50 (216)
B	4.34 (110)	4.34 (110)	4.14 (105)	5.13 (130)	5.45 (138)	6.42 (163)	6.98 (177)	7.50 (190)	8.87 (225)	10.28 (261)
C	2.13 (54)	2.13 (54)	2.13 (54)	3.03 (77)	3.03 (77)	3.72 (95)	4.72 (120)	5.28 (134)	7.00 (178)	7.00 (178)
WTS.	0.90 (0.41)	0.80 (0.36)	1.50 (0.68)	2.80 (1.27)	3.40 (1.54)	4.70 (2.12)	7.10 (3.21)	11.60 (5.24)	21.90 (9.89)	34.10 (15.40)