



classic cast iron stoves



*Surround Yourself With Comfort*



***Flat Black CIVF-25C with Standard Grille Inlay***



***Porcelain Sand CIVF-25 with Optional Stone Inlay***



***Porcelain Green CIDV-30 with Optional Stone Inlay***



***Porcelain Navy CIDV-30 with Optional Stone Inlay***



***Porcelain Red CIVF-25 with Optional Stone Inlay***



***Porcelain Black CIVF-25C with Standard Grille Inlay***

# Classic Cast Iron Stoves

## ***Empire's Classic Cast Iron Stove***

Empire Comfort Systems offers a variety of options to meet your heating *and* decorating needs. The Classic Cast Iron Stoves deliver the finest choices in beauty and comfort while providing customers with a cost-effective, efficient heat source.

## ***Designed to Last a Lifetime***

Empire Comfort Systems has been providing quality heating products for nearly three quarters of a century, and the Classic cast iron stove is built to last a lifetime. Combining style and the latest in technology, the Empire Classic cast iron stove adds that extra touch of beauty and warmth to any room in your home.

# Comfort that *looks* as good as it *feels*.



**Remote  
Control**



**Wall  
Switch**



**Wall  
Thermostat**

## ***Empire's Authentic Fire and Logs***

Who can resist the look of a fire? Whether you have natural or propane gas, Empire's authentic ceramic fiber logs and embers create a warm, inviting atmosphere. This specially designed log set enhances the beauty and efficiency of the classic cast iron stoves.

## ***Enjoy the Benefits of the Classic Cast Iron Stoves***

- Three Venting Methods
- Six Decorator Colors
- Operates Without Electricity
- Optional Automatic Blower

## ***Custom Design Your Classic Stove***

Empire offers plenty of design options to customize your cast iron stove. Castings come in either flat black or five porcelain colors; navy, red, green, sand and black. The lace pattern in the center panel adds a distinctive accent and can be removed for a better view of the fire.

The standard grille inlays match the color of your casting, or optional stone inlays are available in your choice of six colors. A floor pad is necessary for the unit if it's placed on carpet or tile, and Empire has designed two

styles of floor pads to fit in any space. Beautiful matching stone inlays are available for both the traditional and corner floor pads.

All models are remote-ready with a variety of optional controls or they can be operated manually.



***Flat Black CIVF-25C with lace  
center panel***



***Flat Black CIVF-25C without lace  
center panel***

# Three Venting Choices

## ***Vent-Free and Catalytic Vent-Free***

Designed for almost any room in your home, the Empire vent-free stove is 99.9% fuel-efficient and can be placed against almost any wall since no venting is required. It can even be set in a corner for space-saving convenience. For maximum safety, the pilot light is equipped with an automatic shut-off valve and oxygen depletion sensor. The premium Empire catalytic vent-free model includes a catalytic combustor to further cleanse impurities in the air.

## ***Direct Vent***

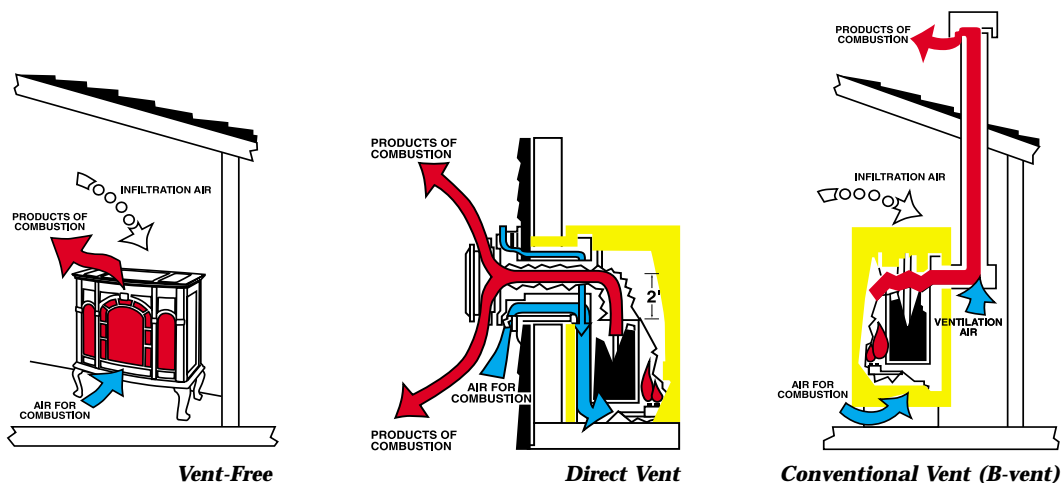
With Empire's direct vent stove, there is no need for a traditional chimney or masonry. Fresh outside air is brought in and heated, and the warmth is captured and stays in the room while the products of combustion are vented directly to the outside.

## ***Conventional Vent***

The Empire conventional vent (B-vent) system allows a connection to an existing flue or it can be vented vertically. The vent pipe is connected between the stove and an existing chimney (or flue). This method is perfect if replacing a current wood stove or for installation where there is no access to an outside wall.

## ***Surround Yourself with Comfort***

Empire has thought of everything to warm your home comfortably, efficiently and cost-effectively. So just sit back, relax, and let Empire comfort you.

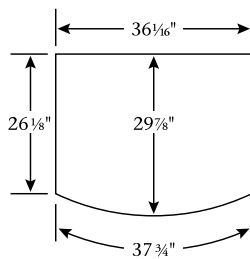


# Options

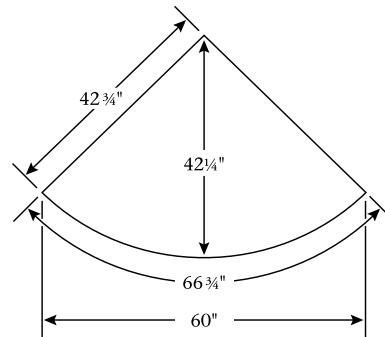
| Accessories   |   |          |   |
|---|---|----------|---|
| DVKH-1  | <i>Direct Vent Kit for Horizontal Run (includes adapter) model CIDV-30 only</i> | DVKV-1   | <i>Direct Vent Kit for Vertical Run (includes adapter) model CIDV-30 only</i> |
| DVKA-1  | <i>Direct Vent Kit Adapter</i>  | CIB-2    | <i>Automatic Blower</i>   |
| <b>Stone Inlay (replaces standard grille inlay) Stone Inlays not available for CIVF-25C (Catalytic Vent-Free)</b> |   |          |   |
| CII-2   | <i>Empress Green</i>  | CII-5    | <i>Azul</i>   |
| CII-3   | <i>Hunan Jade</i>   | CII-6    | <i>Salome</i>   |
| CII-4   | <i>Gray Botticino</i>   | CII-7    | <i>Black Swan</i>   |
| <b>Cast Iron Stove Floor Pads</b>   |   |          |   |
| CIFPB-1   | <i>Traditional Floor Pad Base for Stone Inlays (Requires Stone Inlay Kit)</i>   |          |   |
| CIFPB-1C  | <i>Corner Floor Pad Base for Stone Inlays (Requires Corner Stone Inlay Kit)</i> |          |   |
| <b>Traditional Floor Pad Stone Inlay Kit</b>  |   |          |   |
| CIFS-2G   | <i>Empress Green</i>  | CIFS-5A  | <i>Azul</i>   |
| CIFS-3J   | <i>Hunan Jade</i>   | CIFS-6S  | <i>Salome</i>   |
| CIFS-4B   | <i>Gray Botticino</i>   | CIFS-7E  | <i>Black Swan</i>   |
| <b>Corner Floor Pad Stone Inlay Kit</b>   |   |          |   |
| CIFS-2GC  | <i>Empress Green</i>  | CIFS-5AC | <i>Azul</i>   |
| CIFS-3JC  | <i>Hunan Jade</i>   | CIFS-6SC | <i>Salome</i>   |
| CIFS-4BC  | <i>Gray Botticino</i>   | CIFS-7EC | <i>Black Swan</i>   |



**Optional Traditional Floor Pad with Stone Inlay Kit**



*Traditional Floor Pad (1" high)*



*Corner Floor Pad (1" high)*



**Empress Green**



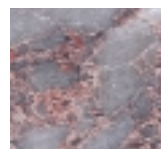
**Hunan Jade**



**Gray Botticino**



**Azul**



**Salome**



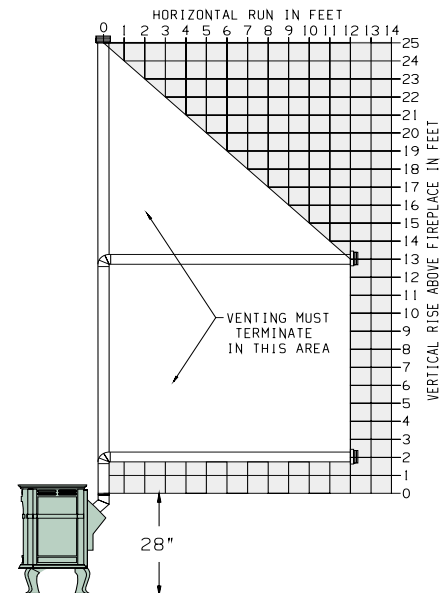
**Black Swan**

# Options

| Classic Cast Iron Stove Casting (Requires a Firebox)                 |                 |                                 |             |  |  |                                 |                |
|--|-----------------|---------------------------------|-------------|--|--|---------------------------------|----------------|
| CIFB   | Flat Black      |                                 | CIPG        | Porcelain Green  |  | CIPN                            | Porcelain Navy |
| CIPB   | Porcelain Black |                                 | CIPS        | Porcelain Sand   |  | CIPR                            | Porcelain Red  |
| Vent-Free Firebox  |                 |                                 |             | Vent-Free Catalytic Firebox  |  |                                 |                |
| Model CIVF-25  |                 | Btu Input 25,000                |             | Model CIVF-25C   |  | Btu Input 25,000                |                |
| Temperature Control on/off Millivolt (remote capable)                |                 |                                 |             | Temperature Control on/off Millivolt (remote capable)                |  |                                 |                |
| Casting Dimensions   |                 | Width 25½"                      | Height 27¾" | Casting Dimensions   |  | Width 25½"                      | Height 27¾"    |
| Casting Shipping Weight 126 lbs.                                     |                 | Firebox Shipping Weight 64 lbs. |             | Casting Shipping Weight 126 lbs.                                     |  | Firebox Shipping Weight 72 lbs. |                |
| Minimum Clearances to Combustibles                                   |                 | Top 24"                         | Corner 4"   | Minimum Clearances to Combustibles                                   |  | Top 24"                         | Corner 4"      |
| Side (from the edge of the top molding) 6"                           |                 | Rear 2" from rear cover         |             | Side (from the edge of the top molding) 6"                           |  | Rear 2" from rear cover         |                |
| Safety Controls Automatic Shut-Off and Oxygen Depletion Sensor Pilot |                 |                                 |             | Safety Controls Automatic Shut-Off and Oxygen Depletion Sensor Pilot |  |                                 |                |
| Direct Vent Firebox (Simpson Dura-Vent Components Required)          |                 |                                 |             | B-Vent Firebox (4" Vent Pipe Required)                               |  |                                 |                |
| Model CIDV30   |                 | Btu Input 30,000                |             | Model CIBV30   |  | Btu Input 30,000                |                |
| Temperature Control on/off Millivolt (remote capable)                |                 |                                 |             | Temperature Control on/off Millivolt (remote capable)                |  |                                 |                |
| Casting Dimensions   |                 | Width 25½"                      | Height 27¾" | Casting Dimensions   |  | Width 25½"                      | Height 27¾"    |
| Casting Shipping Weight 126 lbs.                                     |                 | Firebox Shipping Weight 91 lbs. |             | Casting Shipping Weight 126 lbs.                                     |  | Firebox Shipping Weight 87 lbs. |                |
| Minimum Clearances to Combustibles                                   |                 | Top 36"                         | Corner 4"   | Minimum Clearances to Combustibles                                   |  | Top 36"                         | Corner 4"      |
| Side (from the edge of the top molding) 6"                           |                 | Rear 2" from pipe               |             | Side (from the edge of the top molding) 6"                           |  | Rear 2" from rear of draft hood |                |
| Safety Controls Automatic Shut-Off                                   |                 |                                 |             | Safety Controls Automatic Shut-Off                                   |  |                                 |                |

| Control Accessories   |   |
|---|---|
| GWSG-T  | Wall Thermostat, Millivolt                      |
| FRBC-1  | Battery Operated Remote Control                 |
| FRBTC-1   | Battery Operated Remote Control with Thermostat |
| FREC-1  | Electric Remote Control                         |
| FWS-1   | Wall Switch                                     |
| Warranty  |   |
| All parts carry a 3-year limited warranty. Note: Empire has a policy of constantly improving quality and performance of its appliances; therefore, materials and specifications are subject to change without notice. |   |
| Gas Inlet   |   |
| Type of Gas (State on Order) Natural or LP  |   |
| Iron Pipe Size (N.P.T.) ½" CIDV and CIBV / ⅜" CIVF and CIVF-C   |   |
| Ignition System Standing Pilot/Piezo  |   |

\*With Diverter



## On the Cover

Model CIBV-30 with optional Stone Inlay

Member of the following industry associations:



This appliance is design-certified to the ANSI standard by:



Surround Yourself With Comfort

Empire Comfort Systems, Inc. • 918 Freeburg Ave. • Belleville, IL 62222-0529  
 1-618-233-7420 • 1-800-851-3153 • FAX 1-618-233-7097 • 1-800-443-8648  
 Website: www.empirecomfort.com • e-mail: info@empirecomfort.com  
 © Empire Comfort Systems, Inc. 3/01

Photographs represent Empire Comfort Systems products. The actual flame color and pattern may vary slightly due to air movement, location of the product, climate, and amount and quality of insulation.