

## Filter Box For Samsung HSP Duct Indoor Units

 Job Name \_\_\_\_\_  
 Purchaser \_\_\_\_\_  
 Submitted to \_\_\_\_\_  
 Unit Designation \_\_\_\_\_

 Location \_\_\_\_\_  
 Engineer \_\_\_\_\_  
 Reference Approval Construction  
 Schedule # \_\_\_\_\_

**Description**

Filter box for Samsung HSP duct units (76,000 - 96,000 Btu/h).

**Compatible Indoor Units**

DVM S	AM076FNHDCH/AA
	AM096FNHDCH/AA

**Filter Sizes (field provided)\***

1"	2 X 24" X 24" X 1"
2"	2 X 24" X 24" X 2"
3"	2 X 24" X 24" X 3"

\*Filters are not included

**NOTE:**

- Filter rail is 4" wide with tension spring to secure 1" - 3" filters. Removal of spring will allow use of nominal 4" filters. The spring must be destroyed to remove.
- When selecting a filter, make sure not to exceed the static pressure limitations of the indoor unit. Choose a filter that will not exceed the stated capabilities of the indoor unit.

**Construction**

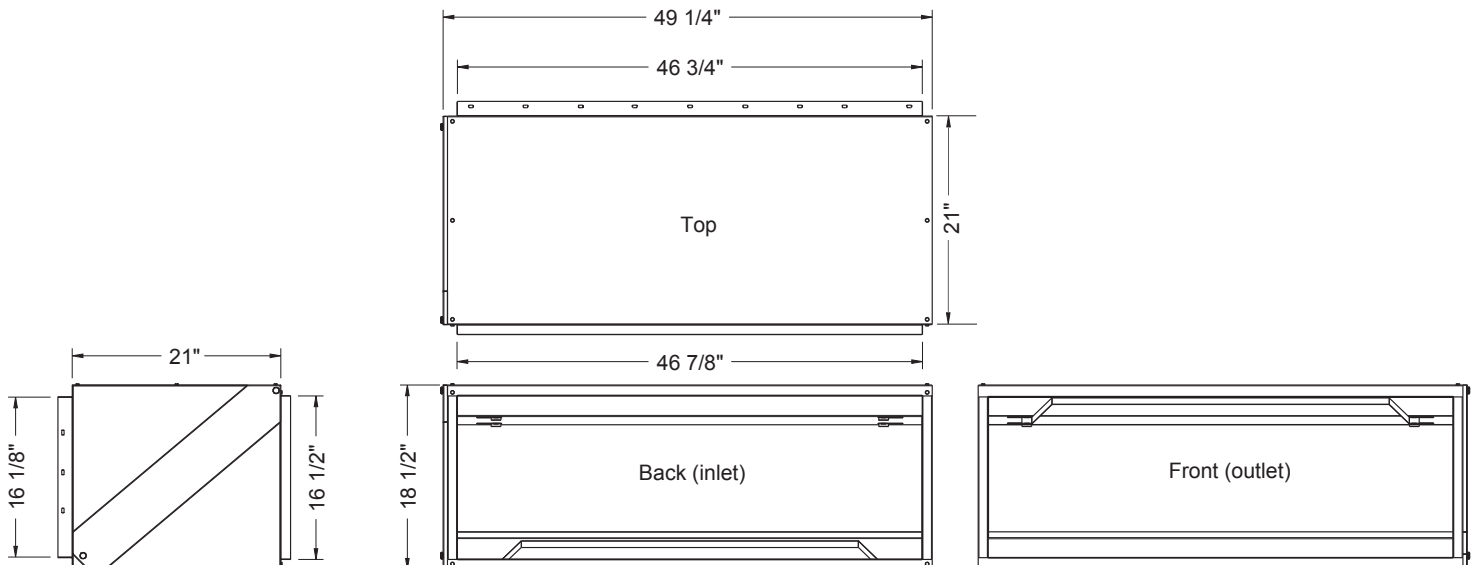
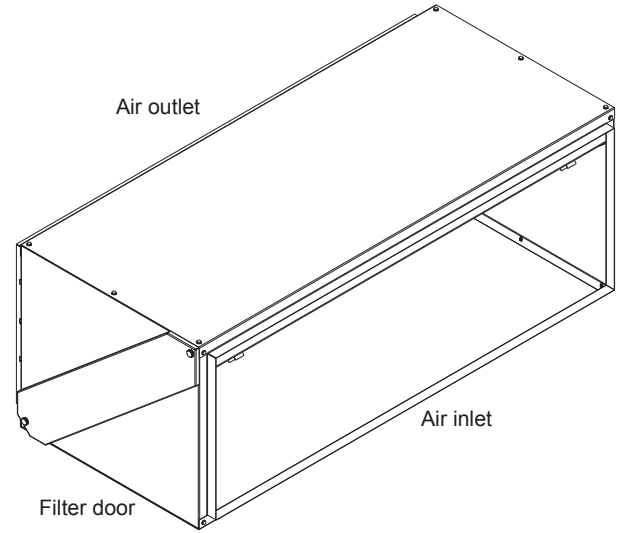
- Galvanized steel, 22 gauge
- Assembly required

**Dimensions**

Shipping	L X W X H (in.)	49 X 25 X 4 1/4
	Weight (lbs.)	38
Net	L X W X H (in.)	49 1/4 X 21 X 18 1/2
	Weight (lbs.)	36
Air inlet	W X H (in.)	46 7/8 X 16 1/2

**Parts Included**

1 X top panel, 1 X bottom panel, 1 X rear panel, 1 X front panel, 1 X filter rail, 1 X filter door, 2 X filter door thumb screws, assembly screws, installation screws.



Samsung and Quietside maintains a policy of ongoing development, specifications are subject to change without notice.

[www.SamsungDVM-S.com](http://www.SamsungDVM-S.com)

888-699-6067