

14 Spare parts

The following parts are available from your Buderus distributor. If there are several Buderus part numbers for one item number, the numbers for the various models are listed in the relevant columns. Otherwise the table shows the number of components for each model.

Legend for tables 14 and 15:

- x = no spare part
- (x) = component of a set, only available with set
- 0 = no picture available

Boiler block and burner door (Fig. 76)

Item	Description	Part number				
		G215/40 3 section	G215/47 4 section	G215/58 5 section	G215/70 6 section	G215/85 7 section
10	Boiler block assembled	05178460	05178462	05178464	05178466	05178468
10	Boiler block unassembled	05178470	05178472	05178474	05178476	05178478
Available single components of the replacement boiler block:						
20	Front section complete Note: When ordering also order seal no. 63006140	63011536				
Available front section components:						
30	Threaded stud DIN939 M12x35 5.6	03719184				
40	Blank Flange lack Mod11306470, Vierk 130	05428094				
50	Washer DIN125-A13-A3K	(x)				
60	Hexagon nut ISO4032-M12-8-A3K	(x)				
70	Flue Blocking plate	05626814				
80	Countersunk bolt DIN7991-M8x16-Ms	(x)				
90	Gasket D94x120x1,5 L150 10C Order for sealing the above flange when ordering a front section	63006140				
100	Plug G 1 1/2"	05317544				
110	Gasket D48x63x1.5 mm C 4400 Klinger Sil green	02528162				
115	Conversion nipple Tg no.241 black.a.i 1 1/2"X3/4"	80677076				
120	Center section G215	63011537				
130	Boiler nipple 119/50 Gr.2 must be sealed with red lead putty (2045004)	05317071				
140	Boiler nipple 48/50 Gr 0a must be sealed with red lead putty (2045004)	05317046				
0	Red lead putty, 0.25 kg container for sealing the boiler nipple	02045004				
0	Glue 181 "Buderus" 370 ml container for securing sealing rope KMV(T20)	05909922				
Required sealing rope: 2680 mm / center section; 2340 mm / back section the section must be fitted with a new sealing rope at the join.						
150	Sealing rope D15x4300 KMV Pack A = 2 rolls for sealing between boiler sections	05830260				
150	Sealing rope D15x4300 KMV Pack B = 3 rolls for sealing between boiler sections	05830262				
160	Back section complete G215	63011538				
Available back section components						

Tab. 14 Boiler block and burner door

Item	Description	Part number				
		G215/40 3 section	G215/47 4 section	G215/58 5 section	G215/70 6 section	G215/85 7 section
170	Threaded stud DIN 939 M16x45 5.6	03719328				
180	Washer DIN 125-A17-A3K	(x)				
190	Hexagon nut ISO 4032-M16-8-A3K	(x)				
200	Threaded stud DIN 939 M10x40 5.6	03719128				
210	Washer DIN 125-A1.5-A3K	(x)				
220	Hexagon nut ISO 4032-M10-8-A3K	(x)				
230	Tie-bar M10x315 compl. for 3 sections	05127962	-	-	-	-
230	Tie-bar M10x445 compl. for 4 sections	-	05127966	-	-	-
230	Tie-bar M10x555 compl. for 5 sections	-	-	05127970	-	-
230	Tie-bar M10x685 compl. for 6 sections	-	-	-	05127974	-
230	Tie-bar M10x825 compl. for 7 sections	-	-	-	-	05127976
240	Gasket D125x170x2 L200 10C	63006141				
250	Connection block G215 lack "US"	63012796				
260	Sensor well	63032236				
270	Plug G 3/4	05317714				
290	Plug G 1	05317712				
300	Gasket D33x44x2mm	63005462				
310	Gasket for feed pipe G215	05452330				
Feed pipe G215						
320	Distribution tube	05436340	05436342	05436344	05436366	05436368
330	Hexagon bolt ISO4017-M8x16-Ms	(x)	(x)	(x)	(x)	(x)
Boiler block components						
Spare parts that are supplied with the spare boiler block						
350	Flue connection complete G215 Available spare part:	05521234				
340	Sealing rope GP 8x545 mm	05830718				
360	Flue baffle Zug 2 G215 4 units in the center and bottom horizontal hot gas flues	63019332	-	-	63019332	-
361	Flue baffle Zug 2 G215 4 unit in the top horizontal hot gas flues	05347085	-	-	-	-
370	Baffle plate Zug 3 left G215 in the center vertical hot gas flue	05347524	05347524	05347524	05347524	05347524
380	Draft baffle plate 3 right G215 in the center vertical hot gas flue	05347526	05347526	05347526	05347526	05347526
390	Hinge eyelet G215	05327454				
400	Hexagon bolt ISO4017-M10x35-8.8	(x)	(x)	(x)	(x)	(x)
410	Washer DIN125-A10.5-A3K	(x)	(x)	(x)	(x)	(x)
420	Hinge G215	05327451				
430	Hexagon bolt DIN6921-M10x25-8.8-SW16-SV	(x)	(x)	(x)	(x)	(x)
440	Hexagon bolt DIN6921-M10x65-8.8 for sealing the burner door	(x)	(x)	(x)	(x)	(x)
450	Boiler feet M10x51mm compl.	05236440				
460	Gasket for flue collar DN150 compl.	05354012				

Tab. 14 Boiler block and burner door

Item	Description	Part number				
		G215/40 3 section	G215/47 4 section	G215/58 5 section	G215/70 6 section	G215/85 7 section
470	Flue silencer DN150 compl. BL 690mm without condensate drain; higher sound absorption	05074544				
475	Flue silencer DN150 compl. BL 315mm with condensate drain; lower sound absorption	05074504				
Flue silencer components						
460	Gasket for flue collar DN150 compl.	05354012				
480	Gasket for flue collar DN150 compl. (step cuff)	05354142				
490	Sealing rope 10x2000 GP Sealing rope 1200mm for burner door for boiler G215 with third-party burner and G215U with Buderus burner	63020963				
500	Burner door compl up to 72kW, burner hole D 112mm G215	63015211				
500	Burner door compl from 72kW, burner hole D 130mm G215	63015212				
510	Sealing rope 14x1855, GP	05830362				
	Gasket compound brown (cartridge 310ml) for gluing sealing rope without residue	63014361				
520	Burner door insulation compl. G215	63002402				
Available spare parts:						
530	Burner door panel insulation G215	63004464				
540	Insulation plate for burner door G215	63004465				
550	Washer DIN9021-A6.4-A3k	(x)	(x)	(x)	(x)	(x)
560	Oval-headed screw ISO7045-M6x40-4.8-A3T for fastening with packaged insulation	(x)	(x)	(x)	(x)	(x)
570	Gasket D42x52x1.5mm	05752520				
580	Sight glass D49.5x5mm	05438172				
590	Sight glass cover plate	05438166				
600	Countersunk screw ISO7046-M5x16-Ms	(x)	(x)	(x)	(x)	(x)
610	Pressure measuring port G1/8" (thread DIN288-1)	05481194				
	B-Kit G215 US	63032224				
	Components:					
	Supply manifold G215US					
	Elbow 90° 3/4 I/A					
	Boiler drain valve 3/4					
	Relief valve 3/4Mx3/4F 30PSI					
	Pressure/temperature gauge 1/4 NPT					
	Conversion nipple 1"x3/4" NPT					
	Plug 1" NPT					
	Sensor sleeve PMW-3SEE(162mm)					
	Bolt set B-Kit G215 US					
	Components:					
	Hexagon nut EN 1661 M8 8.8 A3k					
	Hexagon nut EN 1661 M10 8.8 A3k					
	Threaded stud DIN939 M8x30 5.6					
	Washer DIN125-A8.4-A3K					

Tab. 14 Boiler block and burner door

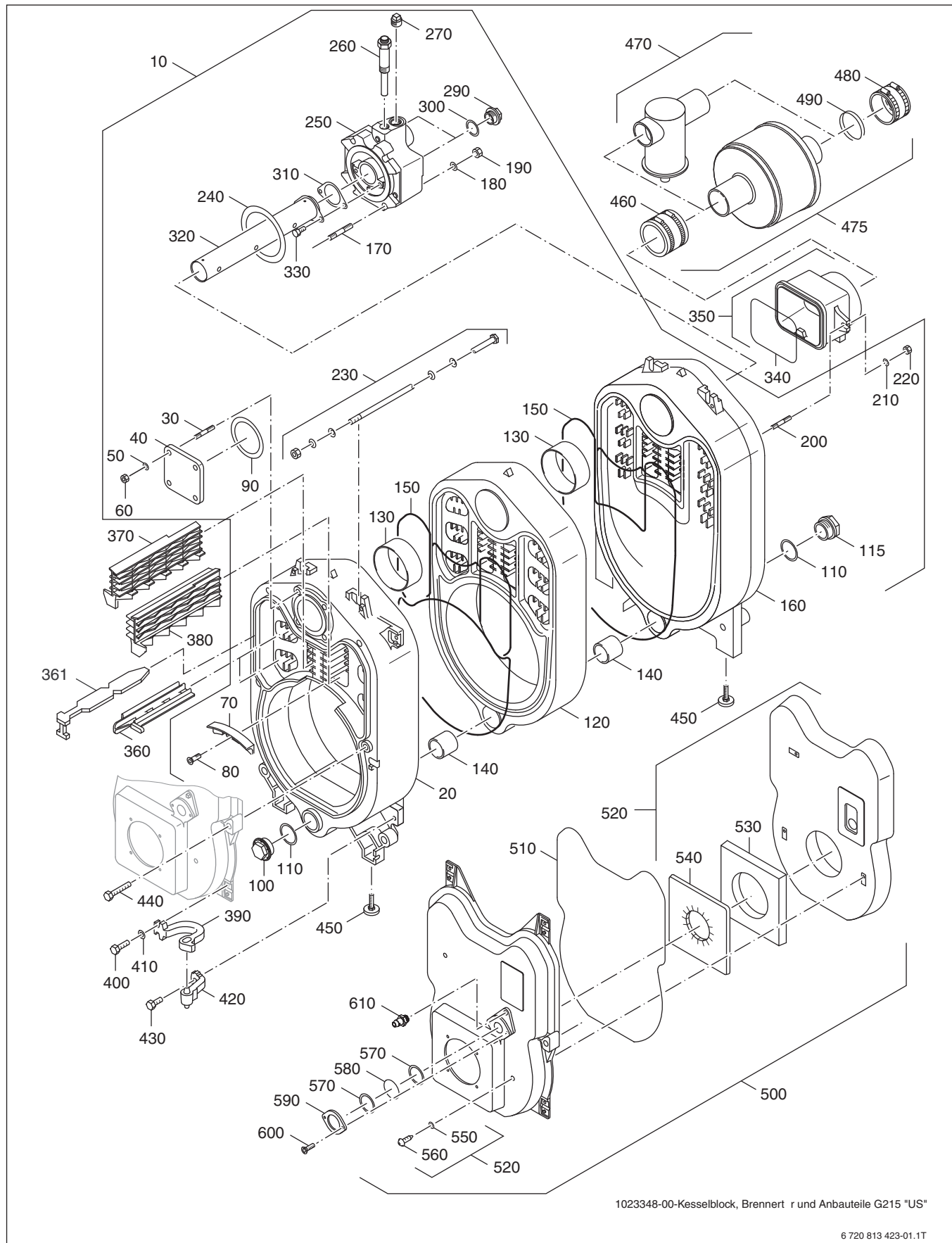


Fig. 76 Boiler block and burner door

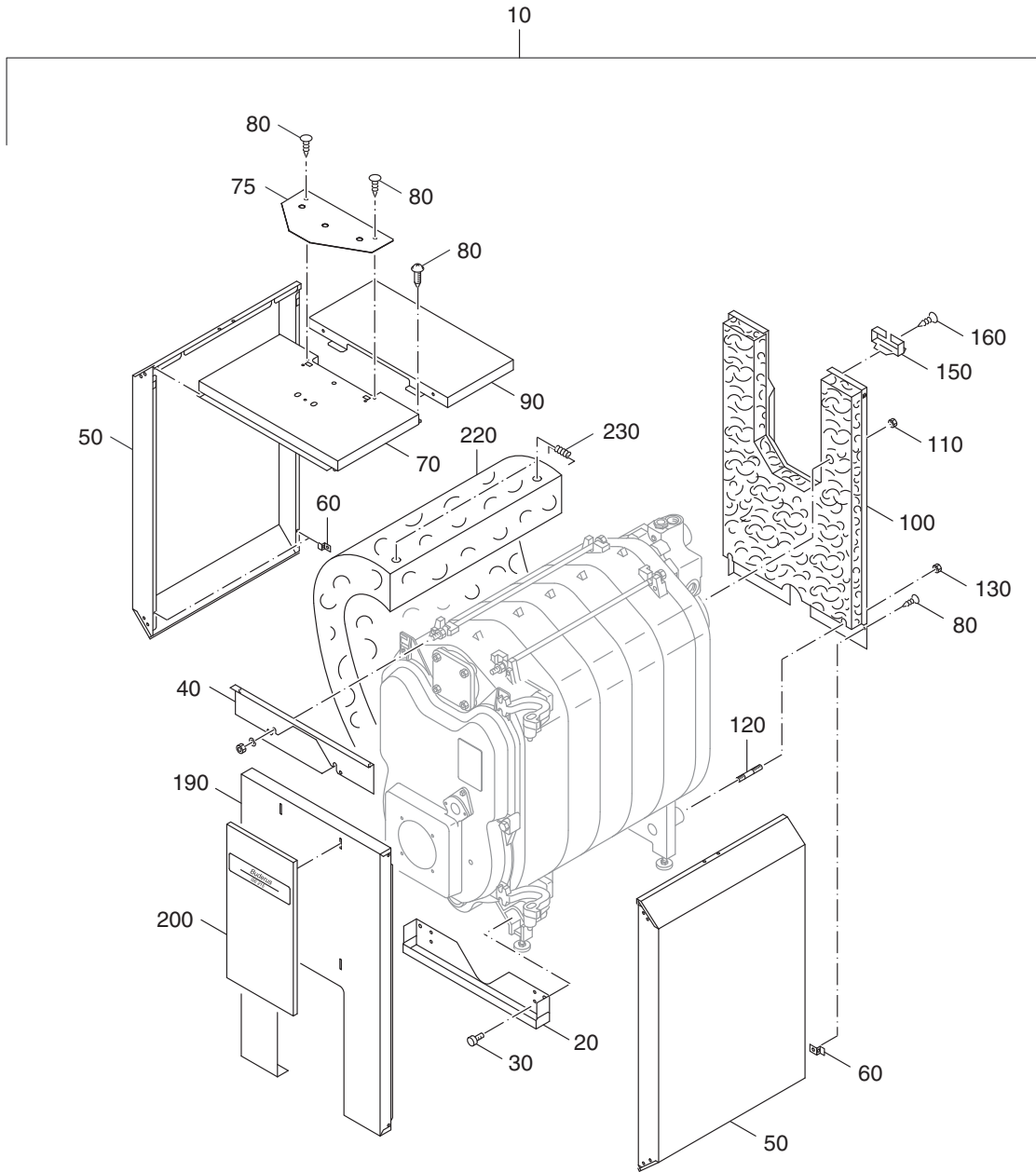
Boiler jacket (Fig. 77)

Item	Description	Part number				
		G215/40 3 section	G215/47 4 section	G215/58 5 section	G215/70 6 section	G215/85 7 section
	The components of a complete jacket include:					
	Bottom bar, top bar, 2 side panels, front cover, back cover, back panel, insulation cover for connection block, heat shield and mounting material.					
	The following must be ordered separately:					
	Front panel and burner cover, shield, insulation and burner line.					
10	Jacket compl. G215/-U	05261300	05261302	05261304	05261306	05261308
Available spare parts:						
20	Bottom bar G215/-U	05261336				
30	Hexagon bolt DIN6921-M8x12-8.8	(x)	(x)	(x)	(x)	(x)
40	Top bar G215/-U	05261334				
50	Side panel compl. 506 mm long G215/-U	05261326	-	-	-	-
50	Side panel compl. 626 mm long G215/-U	-	05261328	-	-	-
50	Side panel compl. 746 mm long G215/-U	-	-	05261330	-	-
50	Side panel compl. 866 mm long G215/-U	-	-	-	05261332	-
50	Side panel compl. 986 mm long G215/-U	-	-	-	-	05261333
60	Snap nut 4.2-A3K-SNO6930-angular.	(x)	(x)	(x)	(x)	(x)
70	Cover front compl. G215/-U V2	63020109				
75	Cover panel 300x160 cover front	63021497				
80	Flathead bolt St3.9x9.5-A3T	(x)	(x)	(x)	(x)	(x)
90	Cover back compl. 227 mm long G215/-U	05261318	-	-	-	-
90	Cover back compl. 347 mm long G215/-U	-	05261320	-	-	-
90	Cover back compl. 467 mm long G215/-U	-	-	05261322	-	-
90	Cover back compl. 587 mm long G215/-U	-	-	-	05261324	-
90	Cover back compl. 707 mm long G215/-U	-	-	-	-	05261325
100	Back panel compl. G215/-U	05261314				
110	Hexagon nut DIN6923-M10-8.8-A3K with locking teeth	(x)	(x)	(x)	(x)	(x)
120	Spacer bolt M8x63.5	00475485				
130	Hexagon nut DIN6923-M8-A3K with locking teeth	(x)	(x)	(x)	(x)	(x)
150	Cable clamp	07060754				
Mounting material for jacket G215/-U		05621700				
	Contents:					

Tab. 15 Boiler jacket

Item	Description	Part number				
		G215/40 3 section	G215/47 4 section	G215/58 5 section	G215/70 6 section	G215/85 7 section
	5 flathead bolts ea. 3.9x9.5-A3T					
	2 hexagon bolts DIN6921-M8x12-8.8					
	1 cable clamp					
	2 snap nuts 4.2-A3K-SNO6930-angular					
	2 spacer bolts M8x63.5					
	4 hexagon nuts DIN6923-M10-8.8-A3K with locking teeth					
	2 hexagon nuts DIN6923-M8-A3K- with locking teeth					
Articles that are not supplied with the jacket:						
190	Front panel compl. G215 for boiler with third-party burner	63029201				
200	Front panel plate compl. 462 mm long with pressed-on unit plate G215	63011712				
Boiler block insulation in plastic bag						
220	Boiler block insulation G215/-U	05261060	05261065	05261070	05261075	05261076
Available spare part:						
230	Retaining spring	00476378				

Tab. 15 Boiler jacket



1023349-00-Kesselverkleidung G215 "US"

Fig. 77 Boiler block and burner door