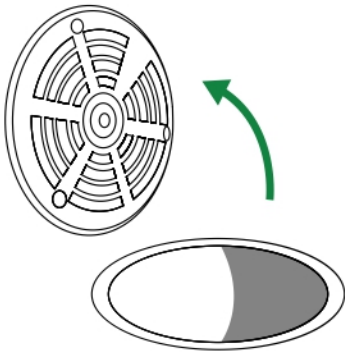
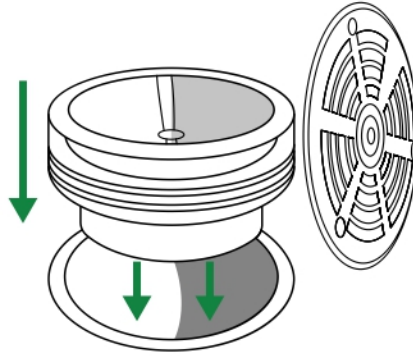


# INSTALLATION GUIDE

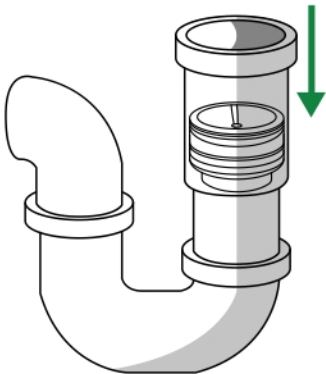
**1** Remove Grate



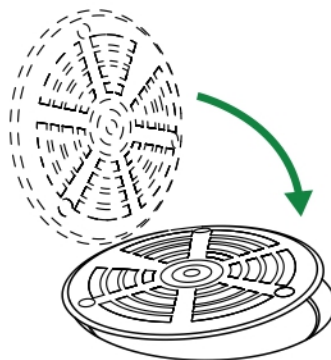
**2** Insert Green Drain™



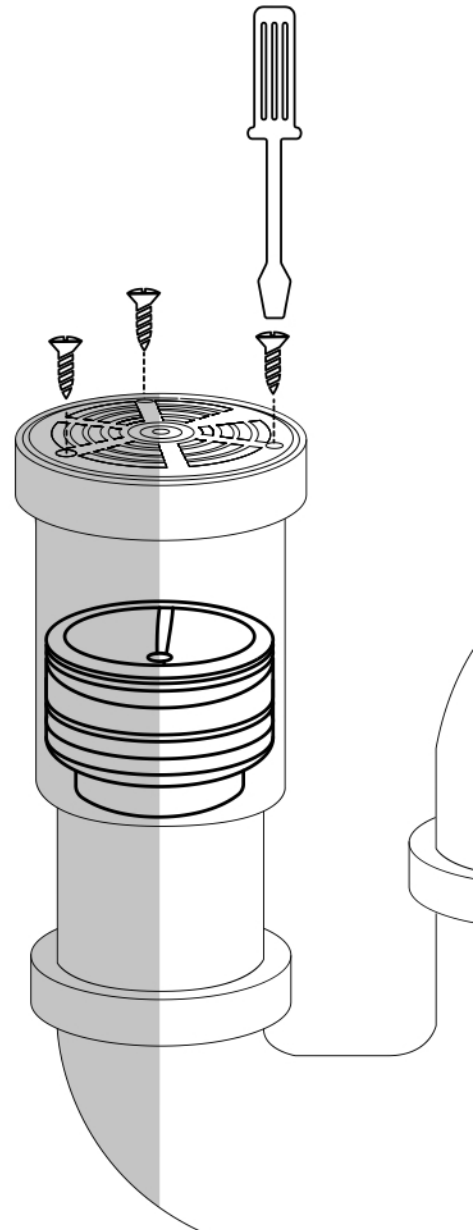
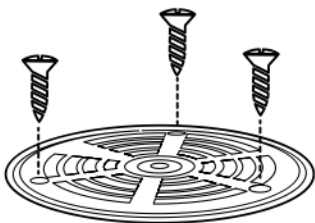
**3** Recess 2" to 4"  
Into The Physical Pipe



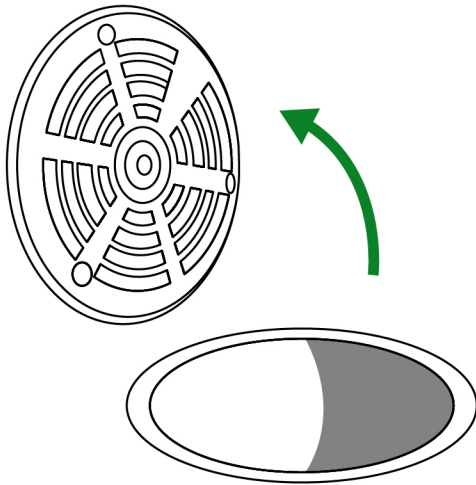
**4** Close Grate



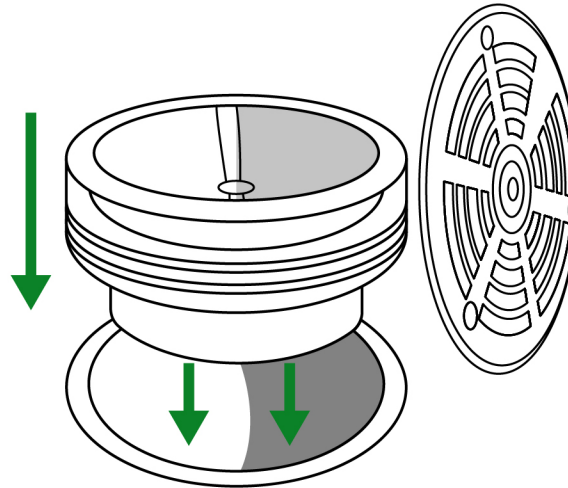
**5** Fasten Screws



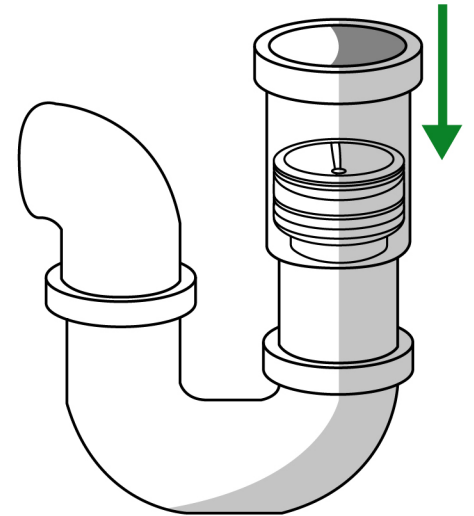
**1 Remove Grate**



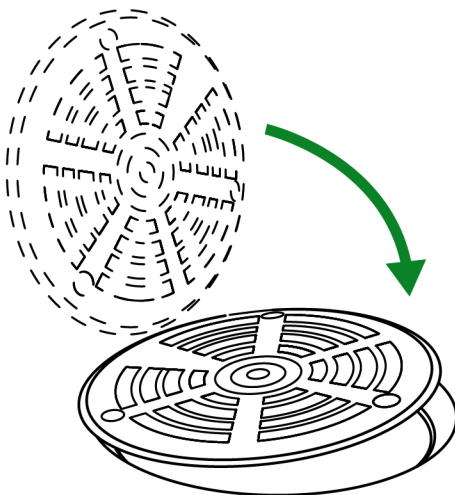
**2 Insert Green Drain™**



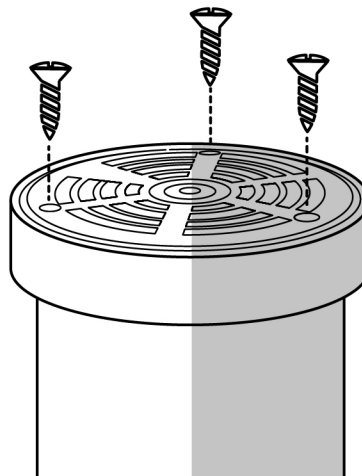
**3 Recess 2" to 4" Into The Physical Pipe**



**4 Close Grate**



**5 Fasten Screws**



**G Green Drain™**

