

Installation Instructions

FPS-LF/PEXFPS-LF Anti-Siphon Frost-Proof Sill Cock

In addition to protection from freezing, the anti-siphon protects against possible back siphonage into the water supply system.

Provides a year round supply of outside water without fear of pipes freezing and bursting.



NOTICE

Hose must be removed to allow water to drain to prevent freezing.

NOTICE

- Hose end must be installed sufficiently lower than seat end to allow for proper drainage.
- Open valve before heating seat end for solder connection to avoid burning the rubber seat washer.

The frost-proof sill cock assures no-freeze operation because the valve mechanism shuts off water inside the building. If building will be unheated for any length of time, all water lines should be drained and plumbing fixtures winterized.

A plastic siding wedge is provided to compensate for lap siding installations. Slip the wedge between frost-proof flange and siding to form an attractive finish and solid base for mounting.



SIDING WEDGE

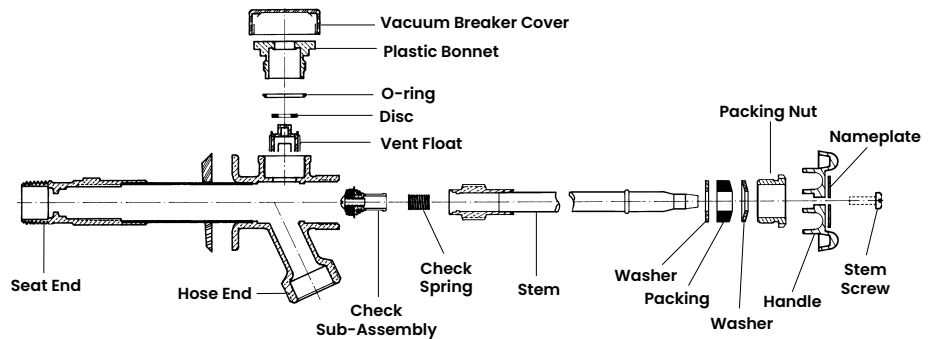
Secure sill cock flange with two #8 or #10 ovalhead wood screws (of proper length) or with appropriate masonry hardware.

Service Notes - Repair Kits

- Remove handle screw, handle and nameplate. Unscrew packing nut and remove 2 packing washers and packing. Using handle, unscrew stem assembly until threads disengage and slide out.
- Remove old check sub-assembly by pulling it straight out from the end of the check stem. Remove old check spring. Replace with new check spring and check sub-assembly. (Push new assembly in by hand).
- Reinsert stem assembly by following step 1 in reverse.

NOTICE

Prior to performing service to the Frost Free Sill Cock stem assembly, water supply to the unit must be shut off and the pressure drained from the valve.



Limited Warranty: Watts Regulator Co. (the "Company") warrants each product to be free from defects in material and workmanship under normal usage for a period of one year from the date of original shipment. In the event of such defects within the warranty period, the Company will, at its option, replace or recondition the product without charge.

THE WARRANTY SET FORTH HEREIN IS GIVEN EXPRESSLY AND IS THE ONLY WARRANTY GIVEN BY THE COMPANY WITH RESPECT TO THE PRODUCT. THE COMPANY MAKES NO OTHER WARRANTIES, EXPRESS OR IMPLIED. THE COMPANY HEREBY SPECIFICALLY DISCLAIMS ALL OTHER WARRANTIES, EXPRESS OR IMPLIED, INCLUDING BUT NOT LIMITED TO THE IMPLIED WARRANTIES OF MERCHANTABILITY AND FITNESS FOR A PARTICULAR PURPOSE.

The remedy described in the first paragraph of this warranty shall constitute the sole and exclusive remedy for breach of warranty, and the Company shall not be responsible for any incidental, special or consequential damages, including without limitation, lost profits or the cost of repairing or replacing other property which is damaged if this product does not work properly, other costs resulting from labor charges, delays, vandalism, negligence, fouling caused by foreign material, damage from adverse water conditions, chemical, or any other circumstances over which the Company has no control. This warranty shall be invalidated by any abuse, misuse, misapplication, improper installation or improper maintenance or alteration of the product.

Some States do not allow limitations on how long an implied warranty lasts, and some States do not allow the exclusion or limitation of incidental or consequential damages. Therefore the above limitations may not apply to you. This Limited Warranty gives you specific legal rights, and you may have other rights that vary from State to State. You should consult applicable state laws to determine your rights. **SO FAR AS IS CONSISTENT WITH APPLICABLE STATE LAW, ANY IMPLIED WARRANTIES THAT MAY NOT BE DISCLAIMED, INCLUDING THE IMPLIED WARRANTIES OF MERCHANTABILITY AND FITNESS FOR A PARTICULAR PURPOSE, ARE LIMITED IN DURATION TO ONE YEAR FROM THE DATE OF ORIGINAL SHIPMENT.**



PurePro®, Londonderry, NH 03053
fwwebb.com/purepro