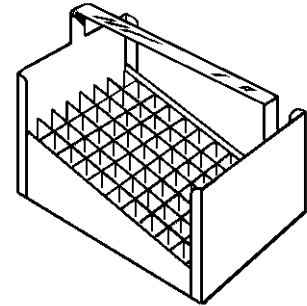


Jones Stephens Corp.

STEEL NIPPLE CADDY TRAY

- Steel construction
- Baked epoxy finish
- Push away handles
- Nipple storage range (close - 6")

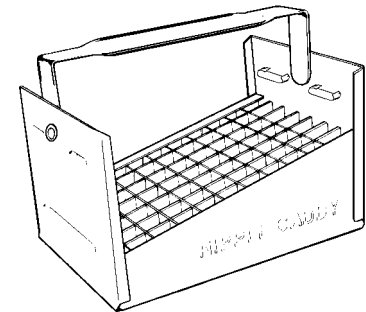
PART NO.	NIPPLE SIZE	CAPACITY	CTN. QTY.	LIST PRICE
N70-050	1/2"	77 pieces	1	27.67↑
N70-075	3/4"	66 pieces	1	29.75↑
N70-016	1"	50 pieces	1	30.19↑
N70-020	1 1/4"	40 pieces	1	43.85
N70-024	1 1/2"	30 pieces	1	44.60
N70-032	2"	27 pieces	1	45.95



PLASTIC NIPPLE CADDY

- High impact plastic
- Strong and lightweight
- Will not rust or corrode
- Nipple storage range (close - 6")

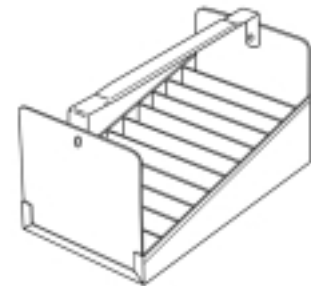
PART NO.	NIPPLE SIZE	CAPACITY	CTN. QTY.	LIST PRICE
N70-150	1/2" nipple caddy	77 pieces	4	34.79
N70-175	3/4" nipple caddy	66 pieces	4	36.53
N70-200	1" nipple caddy	50 pieces	4	36.98
N70-250	1 1/2" nipple caddy	30 pieces	2	42.06
N70-300	2" nipple caddy	27 pieces	2	42.65



1/2" AND 3/4" COMBO NIPPLE CADDY

- Holds 39 1/2" close-6"
- Holds 33 3/4" close-6"
- Steel construction with baked epoxy finish
- Fold over handle

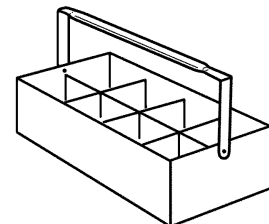
PART NO.	DESCRIPTION	CTN. QTY.	LIST PRICE
N70-575	Combo caddy	1	30.98↑



FITTING TOTE TRAY

- Excellent for copper and PVC fittings
- Steel construction with baked epoxy finish
- 8 compartments
- Fold over handle

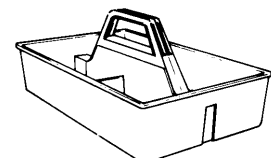
PART NO.	DESCRIPTION	CTN. QTY.	LIST PRICE
N70-500	Fitting caddy	1	38.95↑



UTILITY TOTE TRAY

- Lightweight, durable, high impact plastic

PART NO.	DESCRIPTION	CTN. QTY.	LIST PRICE
T60-100	Tote tray	12	10.97↑



*Arrows (↑ ↓) indicate a price increase or reduction from previous catalog prices.