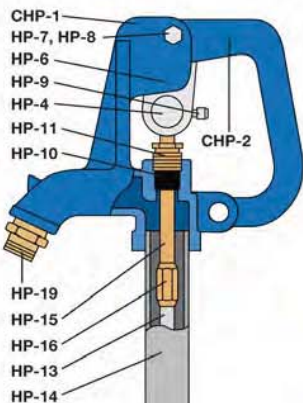




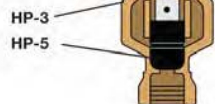
# Campbell

## Frostproof Yard Hydrants

### COMPACT YARD HYDRANT



### COMPACT YARD HYDRANT REPLACE-MENT PARTS



complete hydrant	bury depth	overall length	pcs/pkg
CYH-1	1 ft.	45 in.	1
CYH-1.5	1.5 ft.	51 in.	1
CYH-2	2 ft.	57 in.	1
CYH-3	3 ft.	69 in.	1
CYH-4	4 ft.	81 in.	1
CYH-5	5 ft.	93 in.	1
CYH-6	6 ft.	105 in.	1
CYH-7	7 ft.	117 in.	1
CYH-8	8 ft.	129 in.	1

The same internals and high quality cast iron as the Heavy Duty Frostproof Yard Hydrant in a compact head design.

#### features:

- rugged cast iron head & handle
- below-frostline shut-off valve allows free flow of water at sub-freezing temperatures
- self-draining bleeder valve with 3/4" inlet prevents riser pipe and hydrant head freezeup
- precision machining & assembly
- solid brass extension rod through packing nut
- hot-rolled 1040 steel link straps with Kevlar packing
- one-piece molded BUNA-N plunger
- oversize snap-lock handle for a comfortable grip
- 3/4" brass hose connection/spout
- solid bucket hook for no-hands fillup
- handle-to-head padlock locators
- easy-access, above-ground maintenance
- 7/16" steel rod in 1" galvanized riser pipe

part	description
CHP-1	head casting*
CHP-2	handle casting*
CHP-18	head assembly, complete (includes parts tagged with *)
HP-3	valve body
HP-4	connector*
HP-5	plunger
HP-6	link (2)*
HP-7	fulcrum bolt*
HP-8	fulcrum nut*
HP-9	set screw, square head*
HP-10	packing*
HP-11	packing nut*
HP-13**	7/16" steel rod assembly (includes rod, HP5, HP15, and HP16)
HP-14**	1" galvanized pipe
HP-15	brass extension rod
HP-16	rod coupling
HP-19	brass hose adapter*
HPK-1	parts kit (includes HP-4 thru HP-11)

See page A5 for Hydrant Elbows and Tees

