

Brass Ball Valve

2 Piece • Full Port • Press XLC Connection • 200 WOG



JP-100PxP XLC

Features

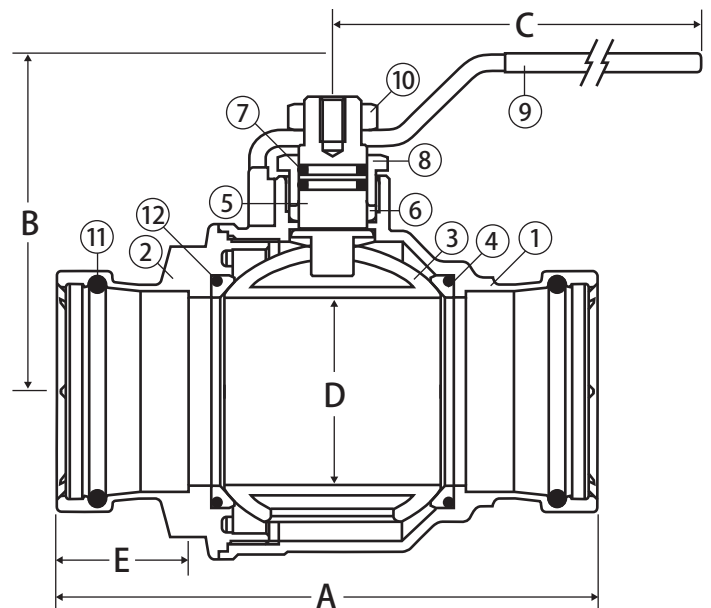
- Triple sealing stem with 2 Viton® o-rings and Teflon® seal
- Blow-out proof stem
- Corrosion resistant brass
- 100% leak tested
- Made in Italy
- Leakproof stem - Lifetime Warranty
- Accessories available on pages 234-237

Approvals

- Conforms to IAPMO PS 117

Pressure/Temperature Rating

- 200 WOG
- Max. 250°F



Material Specifications

| No. | Part | Materials |
|-----|-----------------|------------------------------|
| 1 | Body | Brass - CW602N |
| 2 | End Connection | Brass - CW602N |
| 3 | Ball | Chrome Plated Brass - CW617N |
| 4 | Seat (2) | Hostafion® TFM 1600 |
| 5 | Stem | Brass - CW602N |
| 6 | Packing | Hostafion® TFM 1600 |
| 7 | Stem O-ring (2) | Viton® |
| 8 | Packing Gland | Brass - CW602N |
| 9 | Handle | Steel - Geomet® Plated |
| 10 | Handle Nut | Steel - Geomet® Plated |
| 11 | O-ring (2) | EPDM |

Dimensions

| Part No. | Size | A | B | C | D | E | Cv |
|------------|--------|-------|------|------|------|------|--------|
| 100-209XLC | 2-1/2" | 7.13 | 4.72 | 8.00 | 2.46 | 1.75 | 350.32 |
| 100-210XLC | 3" | 8.49 | 5.31 | 8.00 | 2.99 | 1.92 | 563.76 |
| 100-211XLC | 4" | 10.79 | 5.90 | 9.88 | 4.00 | 2.22 | 879.28 |