

# KWU120-45

## 45 Inch Undermount Workstation Single Bowl Stainless Steel Kitchen Sink

# Kräus<sup>®</sup>

SPECIFICATION SHEET

### Sink Dimensions

Overall Dimensions: 45" x 19"

Bowl Dimensions: 43" x 16"

Sink Depth: 10"

### Features

- 16 Gauge Stainless Steel Construction
- Single Bowl Undermount Sink
- Required Minimum Cabinet Size: 48" Left to Right, 24" Front to Back
- Rear Off-Set Drain
- 3 1/2" Drain Opening
- NoiseDefend Undercoating and Sound Dampening Pads

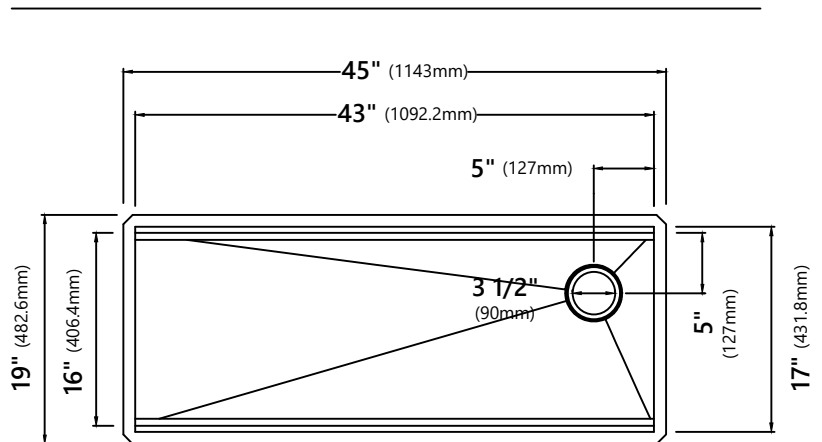
### Accessories Included

- Strainer ST-1
- Cover Cap STC-2
- Bottom Grid KBG-UN1-23
- Bottom Grid KBG-WSU1-45
- Rolling Mat KRM-11BL
- Cutting Board KCB-WS104BB
- Cutting Board, Colander and Bowl Set KAC-1005BB
- Dish Rack: KDR-1
- Cut-Out Template
- Mounting Hardware

### CODES/STANDARDS:

#### Product Certification

cUPC (ASME A112.19.3/CSA B45.4)



**NOTE:** It is not recommended to install this sink with a negative reveal. Doing so will prohibit the use of any workstation accessories as they will not fit.

### Warranty

Kraus Limited Lifetime Warranty

see website for details [www.kraususa.com](http://www.kraususa.com)

Kraus USA Customer Service

1.800.775.0703 | [customerservice@kraususa.com](mailto:customerservice@kraususa.com)

REV. January 26, 2021

## KAB-105

### Accessories Board

#### Accessories Board Dimensions

Overall Dimensions: 16 3/4" x 15 3/4" x 3/4"

#### Features

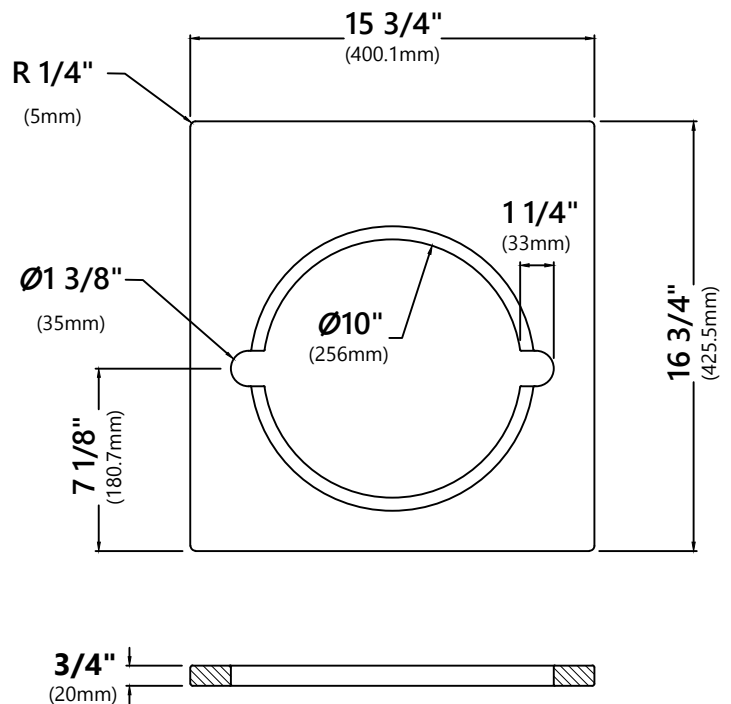
- BPA-free and FDA-approved
- Included with KWU120-36 and KWU120-45 kitchen sinks
- For use with the KBW-2 Bowl and/or the KCL-2 Colander
- Included with the KAC-105, KAC-205 and KAC-1005 Accessories Board Sets

**NOTE:** Each piece may feature unique color variations

#### Warranty

Kraus One Year Limited Warranty

see website for details [www.kraususa.com](http://www.kraususa.com)



## KBG-UN1-23

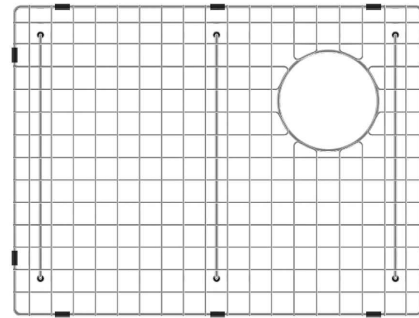
### Stainless Steel Kitchen Sink Bottom Grid

#### Grid Dimensions

Overall Dimensions: 20 5/8" x 15 5/8" x 7/8"

#### Features

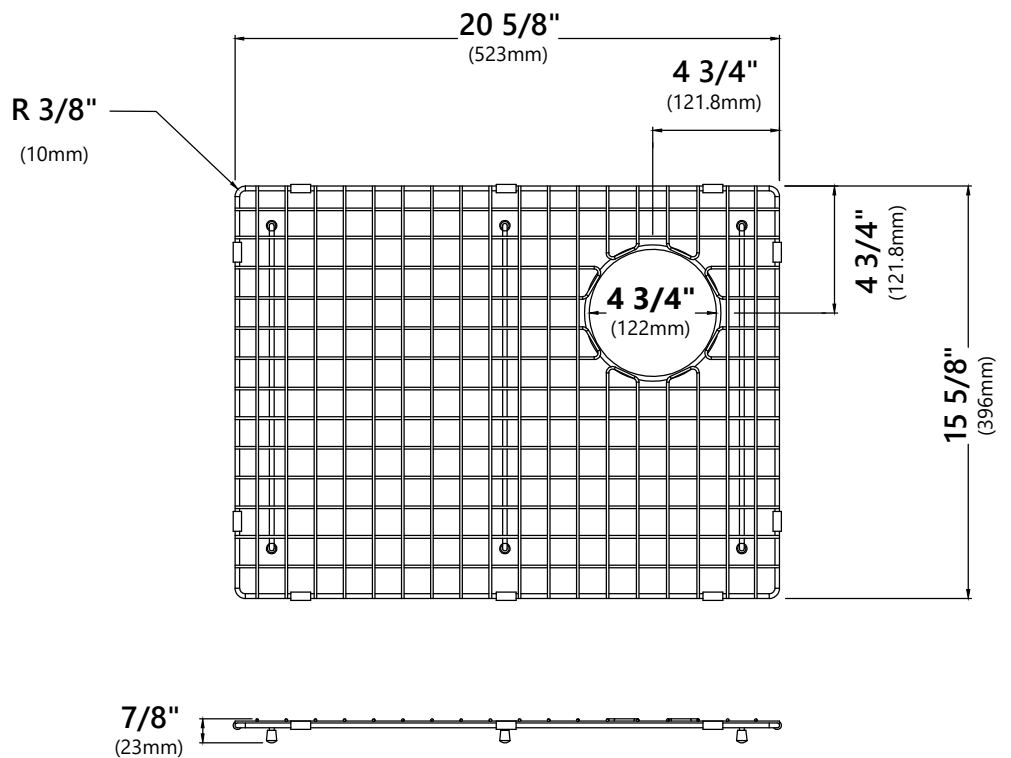
- Commercial grade stainless steel construction
- For Use with the KWU111-23 and KWU120-45 kitchen sinks
- Protects bottom of sink from daily wear and tear
- Rubber feet provide additional protection



#### Warranty

Kraus One Year Limited Warranty

see website for details [www.kraususa.com](http://www.kraususa.com)



## KBG-WSU1-45

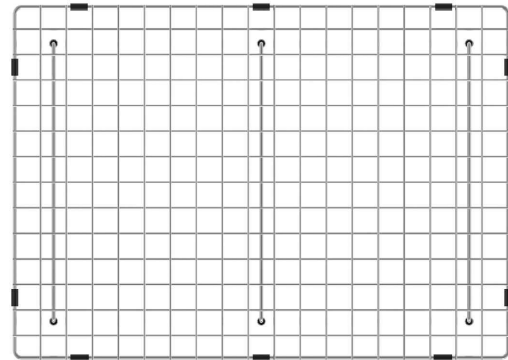
### Stainless Steel Kitchen Sink Bottom Grid

#### Grid Dimensions

Overall Dimensions: 21 7/8" x 15 5/8" x 7/8"

#### Features

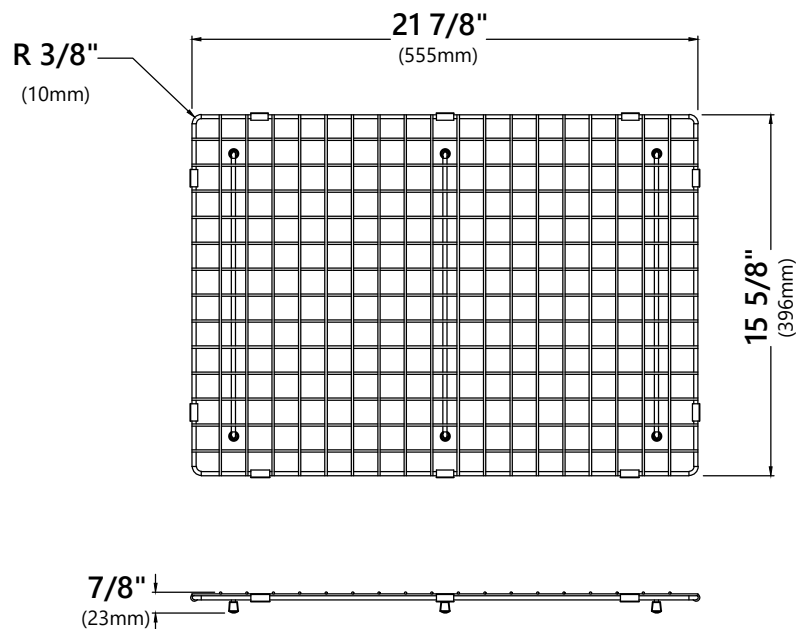
- Commercial grade stainless steel construction
- For Use with the KWU120-45 and KWU210-57 kitchen sinks
- Protects bottom of sink from daily wear and tear
- Rubber feet provide additional protection



#### Warranty

Kraus One Year Limited Warranty

see website for details [www.kraususa.com](http://www.kraususa.com)



## KBW-2

### Stainless Steel Bowl

---

#### Bowl Dimensions

Overall Dimensions: 11" x 5 1/2"

#### Features

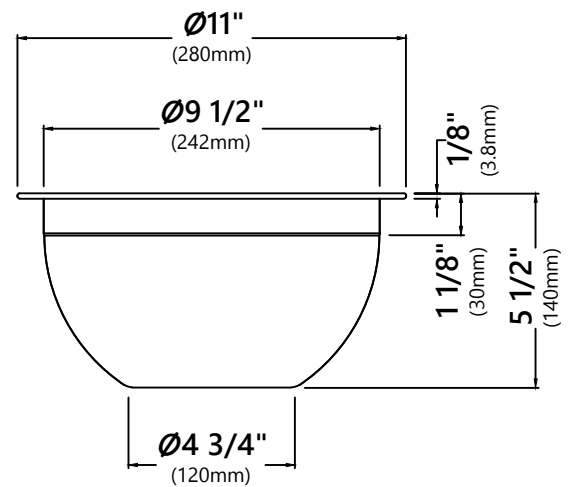
- Durable 304 Stainless Steel Construction
- Satin Polish
- Designed to Use with KAB-103, KAB-104 and KAB-105 Accessories Boards
- Included with the KWU120-45 kitchen sink



#### Warranty

Kraus Limited Lifetime Warranty

see website for details [www.kraususa.com](http://www.kraususa.com)



## KCB-WS104

### Cutting Board

#### Cutting Board Dimensions

Overall Dimensions: 16 3/4" x 15 3/4" x 3/4"

#### Features

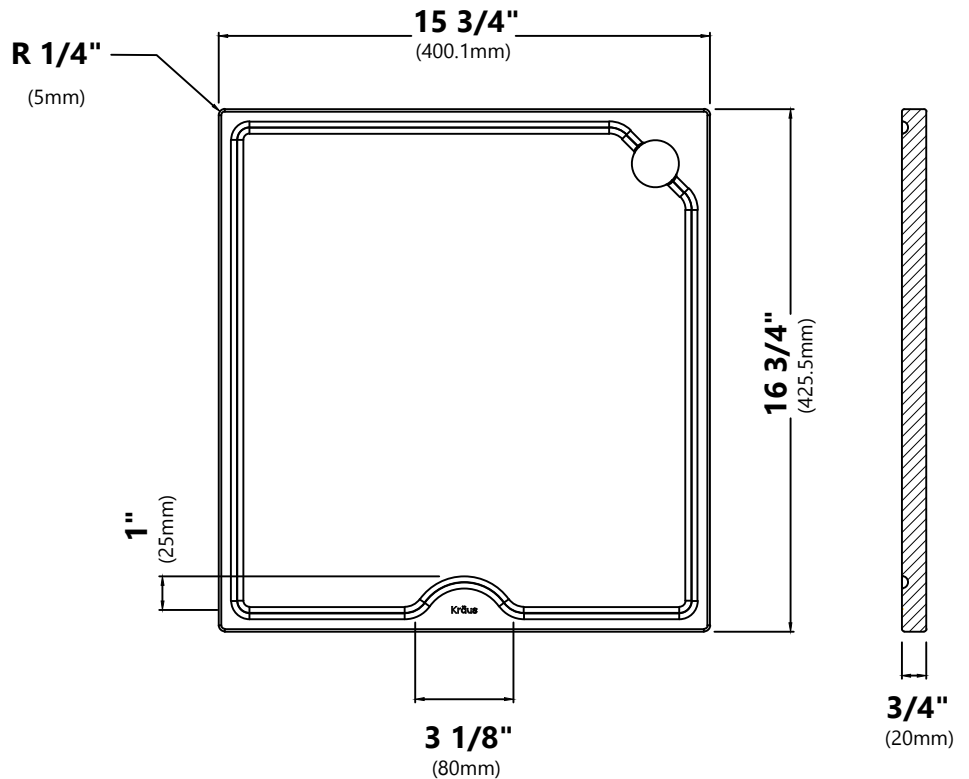
- Designed to Use Over the Sink and On the Counter
- Outer Groove Traps Liquids to Prevent Messy Counter
- BPA-free and FDA-approved
- Included with KWU120-45 kitchen sink

**NOTE:** Each piece may feature unique color variations

#### Warranty

Kraus One Year Limited Warranty

see website for details [www.kraususa.com](http://www.kraususa.com)



## KCL-2

### Stainless Steel Colander

#### Colander Dimensions

Overall Dimensions: 11" x 4 5/8"

#### Features

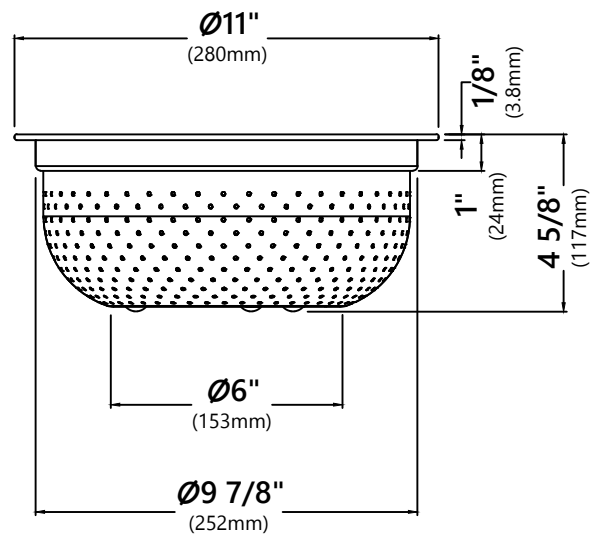
- Durable 304 Stainless Steel Construction
- Satin Polish
- Designed to Use with the KAB-103, KAB-104 and KAB-105 Accessories Boards
- Included with the BAC-100, KAC-103, KAC-104, KAC-105, KAC-1003, KAC-1004 and KAC-1005 Accessories Boards
- Included with KWU120-45 kitchen sink



#### Warranty

Kraus Limited Lifetime Warranty

see website for details [www.kraususa.com](http://www.kraususa.com)



## KDR-1

### Stainless Steel Dish Rack

#### Dish Rack Dimensions

Overall Dimensions: 16 3/4" x 9 7/8" x 3 3/4"

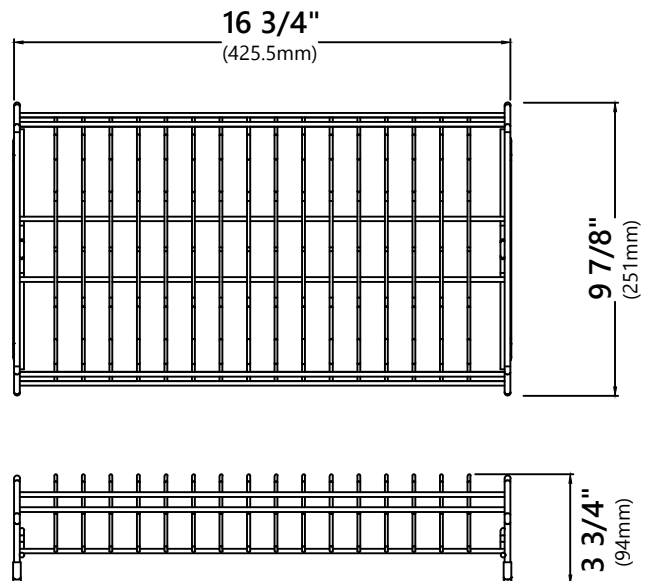
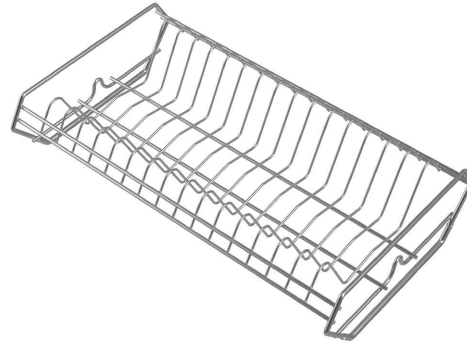
#### Features

- Durable Stainless Steel Construction
- Designed to Use with All Workstations
- Included with KWU120-45 kitchen sink
- Silicone non slip base coating in gloss black
- Holds 17 dishes

#### Warranty

Kraus Limited Lifetime Warranty

see website for details [www.kraususa.com](http://www.kraususa.com)



## KRM-11

### Multipurpose Roll-Up Dish Drying Rack

#### Rolling Mat Dimensions

Overall Dimensions: 16 7/8" x 12" x 3/8"

#### Features

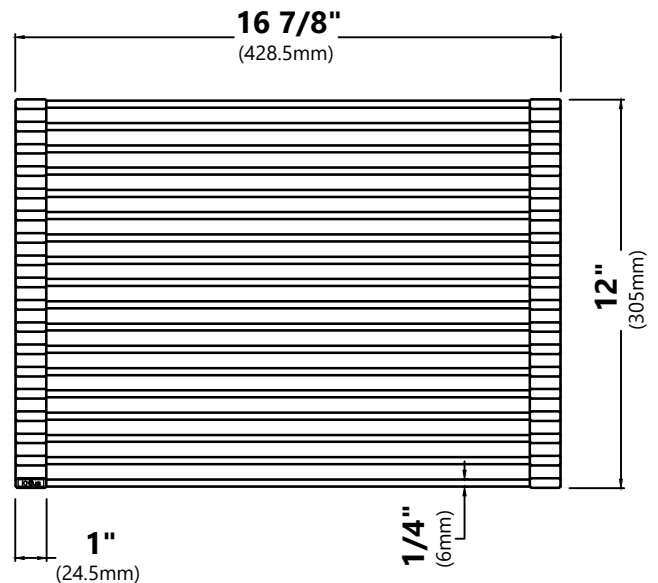
- Roll-up over-the-sink drying rack
- Stainless steel construction with non-slip silicone coating
- Rolls up into a compact cylinder for storage
- Dishwasher safe
- Heat-safe up to 400° F
- Holds up to 100 lbs
- BPA-free and FDA-approved
- For Use with KFR4-33, KGF1-30, KGF1-33, KGF2-30, KGF2-33, KWF210-30, KWF210-33, KWF210-36, KWF410-30, KWF410-33, KWF410-36, KWT310-30, KWT310-33, KWT311-25, KWU110-27, KWU110-30, KWU110-32, KWU111-17, KWU111-23, KWU112-33, KWU120-45 and KWU210-57 kitchen sinks

#### Available Colors

- Black
- Brown
- Dark Blue
- Dark Grey
- Light Grey
- Aqua
- Green
- Red
- Yellow

#### Warranty

Kraus One Year Limited Warranty  
see website for details [www.kraususa.com](http://www.kraususa.com)



## ST-1

### Stainless Steel Kitchen Sink Strainer

#### Strainer Dimensions

Overall Dimensions:  $\phi 4 \frac{1}{2}''$  x  $3 \frac{3}{4}''$

#### Features

- Premium Stainless Steel construction
- Fits Standard  $3 \frac{1}{2}''$  or  $4''$  Drain Opening
- Open/Close Stopper Prevents Debris from Clogging Drain Pipe

#### Available Finishes

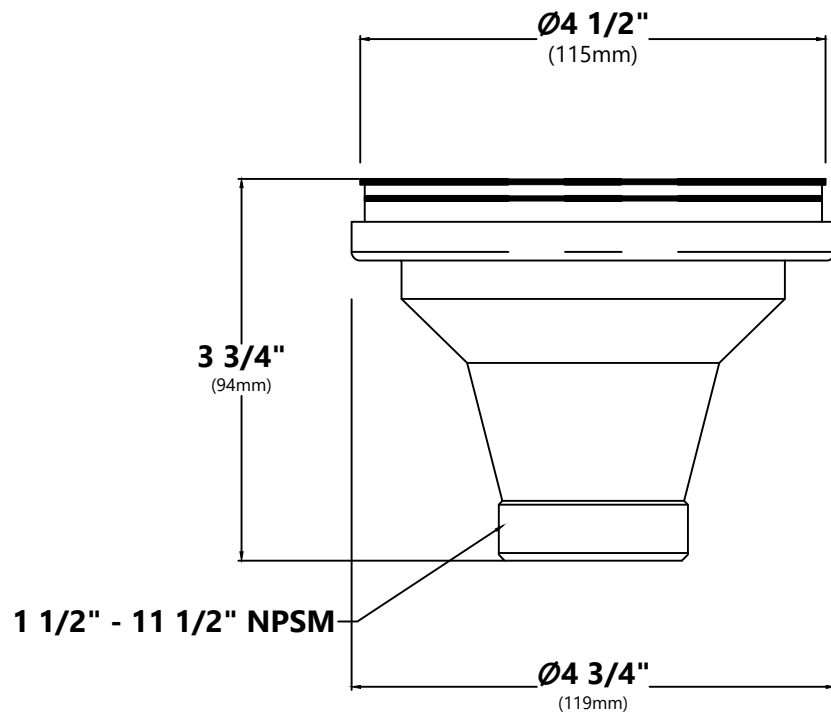
- Stainless Steel



#### Warranty

Kraus Limited Lifetime Warranty

see website for details [www.kraususa.com](http://www.kraususa.com)



## STC-2

### Removable Decorative Drain Cover

---

#### Drain Cap Dimensions

Overall Dimensions:  $\varnothing 4\ 1/2"$  x  $5/8"$

#### Features

- Premium Stainless Steel Construction
- Fits Standard  $3\ 1/2"$  Drain Opening
- Allows Water to Drain Easily When Installed
- Conceals Garbage Disposal and Waste Fittings for a Seamless Look
- Compatible with Standart Pro™, Pax™, Kore™, Outlast Microshield™ and Premier™ Kitchen sinks

#### Available Finishes

- Stainless Steel
- PVD Gunmetal



#### Warranty

Kraus Limited Lifetime Warranty

see website for details [www.kraususa.com](http://www.kraususa.com)

