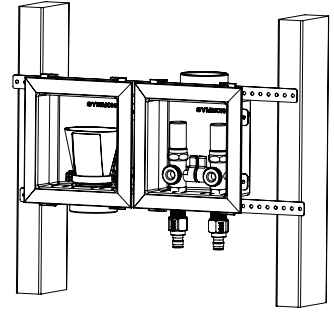




SYMMONS® LaundryMate®

LM600 LaundryMate® Valve Specification Submittal



Model Numbers

LM600 *LaundryMate® Drain Box with Valve*

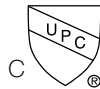
Options/Modifications

- A** *Water hammer arrestor size AA*
- F** *Funnel*
- P1** *Crimp PEX*
- P2** *Cold expansion PEX*

Note: Append appropriate -suffix to model number.

Compliance

- ASME A112.18.1/CSA B125.1
- ASSE 1010 (LM600A only)
- NSF 61.9, NSF 372



Feature Highlights

- Installation straps for 16" O.C. single stud bay mounting or direct-to-stud mounting
- Box material: PVC
- 1/2-14 NPSM with 1/2" Sweat Inlets, 3/4" washing machine outlets
- Valve can be installed as bottom or top supply
- Accommodates 1 layer of 1/2" drywall up to 2 layers of 5/8" drywall
- 2" PVC female direct glue drain
- Drain knockout for 5 psi testing
- Mounting straps
- 1/4 turn ball valves with color coded handles

Warranty

Limited Lifetime - to the original end purchaser in consumer/residential installations.

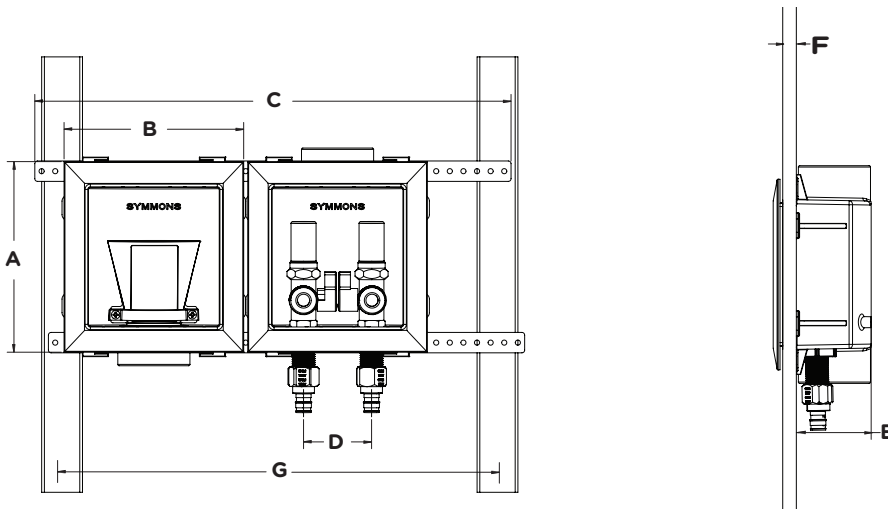
10 Years - for commercial/industrial installations. Refer to www.symmons.com/warranty for complete warranty information.



Architectural/Engineering Specification

Symmons LaundryMate® _____: with 1/4 turn ball valves, single-sided mounting tabs or installation straps that allow for top or bottom supply mounting. Accommodates single 1/2" drywall up to two layers of 5/8" drywall. Inlets include 1/2-14 NPSM with 1/2" sweat, 2" PVC female glue drain, drain knockout for 5 psi testing, 1/4 turn ball valves with color coded handles, washing machine drain line with hose clamp. Box material is PVC Optional "1/2" crimp PEX", "1/2" cold expansion PEX", "Funnel", "Size AA water hammer arrestor". NSF 61.9, NSF 372, ASSE 1010 (LM600A only), ASME A112.18.1/CSA B125.1 Compliant.

Dimensions



Measurements	
A	7", 178 mm
B	6-5/8", 168 mm
C	17-1/2", 445 mm
D	2 1/2" 64mm
E	2 3/4" 70mm
F	Min. 1/2", 13 mm Max. 1-1/4", 32 mm