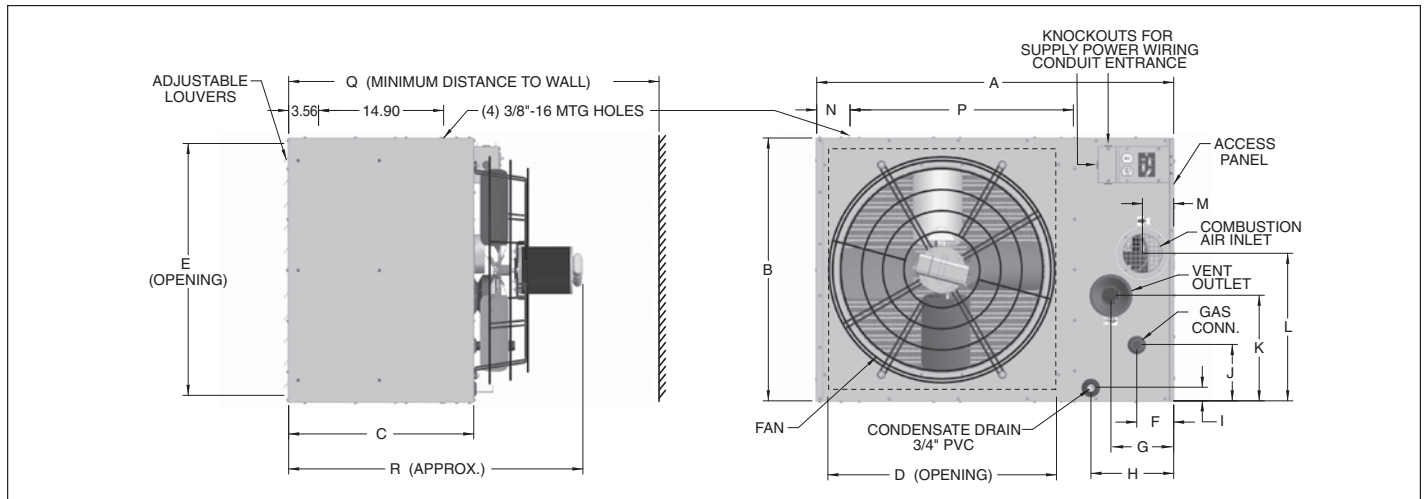


**Figure 9.1 - Dimensional Drawings - Model PTC**



**Table 9.1 - Dimensions (inches)**

Models	PTC 85	PTC110	PTC135	PTC155/156	PTC180	PTC 215	PTC260	PTC310
A	35.53	35.53	35.53	35.53	42.53	42.53	42.53	42.53
B	20.31	20.31	23.06	23.06	25.81	31.31	31.31	39.56
C	22.05	22.05	22.05	22.05	22.05	22.05	22.05	22.05
D	22.52	22.52	22.52	22.52	29.52	29.52	29.52	29.52
E	18.42	18.42	21.18	21.18	23.93	29.43	29.43	37.68
F	4.50	4.50	4.50	4.50	4.50	4.50	4.50	4.50
G	7.98	7.98	7.98	7.98	7.98	7.47	7.47	8.12
H	10.27	10.27	10.18	10.18	10.36	9.86	9.86	9.79
I	1.32	1.32	2.15	2.15	1.73	1.63	1.63	1.88
J	6.73	6.73	8.09	8.09	9.47	6.72	6.72	10.84
K	8.74	8.74	8.45	8.45	9.82	12.58	12.58	16.19
L	12.13	12.13	12.95	13.45	14.92	17.58	17.58	22.19
M	3.86	3.86	3.48	3.98	3.98	3.72	3.72	4.62
N	1.54	1.54	1.54	1.54	3.97	3.97	3.97	3.97
P	22.03	22.03	22.03	22.03	26.60	26.60	26.60	26.60
Q	45.83	45.83	45.83	45.83	45.83	45.83	46.83	46.83
R	33.83	33.83	33.83	33.83	33.83	33.83	34.83	34.83
Combustion Air Inlet Pipe	3	3	3	4	4	4	4	6
Vent Outlet Pipe	3	3	3	4	4	4	4	4
Gas Connection	1/2	1/2	1/2	1/2	1/2	3/4	3/4	3/4
Fan Diameter	18	18	20	20	22	24	24	26
Approx. Shipping Weight (lbs.)	125	128	165	165	215	265	265	310

**Table 9.2 - Clearances to Combustible Materials**

Unit Side	Clearance To Combustible Materials	Recommended Service Clearance
Top and Bottom	6"	6"
Access Side	6"	18"
Non-Access Side	6"	18"
Rear	18"	18"
Vent Connector	6"	6"