



GE APPLIANCES
a Haier company

Product Specifications

NAMV2TA ENHANCED AIR HANDLER WITH VARIABLE SPEED



**READ CAREFULLY.
KEEP THESE INSTRUCTIONS.**

NAMV2TA

PRODUCT SPECIFICATIONS

APPLICATION

- 2 - 5 ton systems
- Upflow, horizontal, and downflow capable
- Sequenced for demand management
- External access to heater circuit breakers

INSTALLATION

- Shipped in one piece, but may be disassembled into two separate pieces for ease of installation
- Multiposition - Factory ready for upflow, downflow, and horizontal left/right applications
- No external screw heads on the sides of the unit to fit in tight spaces

CABINET

- Thick foil faced insulation
- Improved gasketing on doors for better fit
- Filter rack with thumb screws for easy access and removal
- Baked polyester paint finished over galvanized steel for maximum durability
- Thick rubber gaskets between each section insure tight seal when converted to downflow
- High-strength, UV and heat resistant polymer drain pan designed for corrosion resistance
- Antimicrobial polymer drain pan built to resist mold and mildew growth
- 2% or less air leakage

COILS

- Total corrosion protection technology designed coil
- Enhanced tube-and-fin coil design
- Lanced fins for maximum heat transfer
- Factory tested for leakproof construction and precharged with nitrogen holding charge

COMPONENTS

- Efficient ECM variable speed motor
- 70 VA transformer
- Field installed 5 - 25kW electric heat kits with easy plug connections
- Built-in blower time delay for increased efficiency
- Sleeves on distributor tubing for added protection

CONTROLS

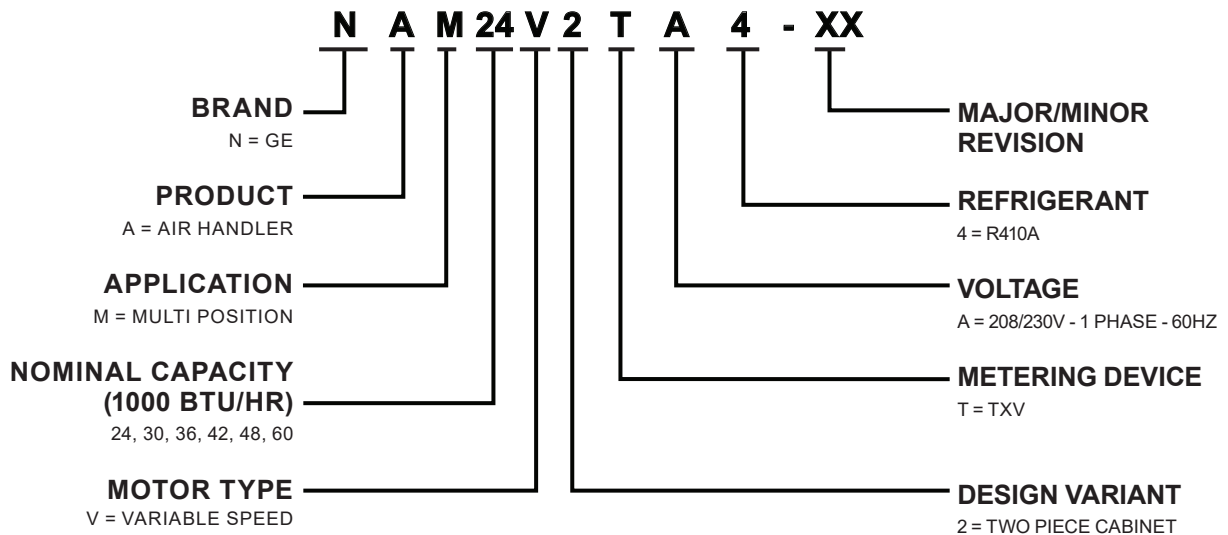
- Self diagnostics saves last 10 fault codes regardless of power interruption

WARRANTY

See warranty document for details.



MODEL NUMBER GUIDE



PHYSICAL

Model	Volts/Hz/Phase	Max. Elec. Heat Available (kW)	Transformer Size & Type	Filter Size (in.)	Refrigerant Connection (IDS)		Installed TXV Size	Weight (lbs.)
					Suction (in.)	Liquid (in.)		
NAM24V2TA4	208/230/60/1	9	70VA	(1) 20 x 20 x 1	3/4	3/8	12J18	141
NAM30V2TA4	208/230/60/1	15	70VA	(1) 20 x 20 x 1	3/4	3/8	12J18	154
NAM36V2TA4	208/230/60/1	20	70VA	(1) 20 x 20 x 1	3/4	3/8	12J19	159
NAM42V2TA4	208/230/60/1	20	70VA	(1) 20 x 24 x 1	7/8	3/8	12J20	189
NAM48V2TA4	208/230/60/1	25	70VA	(1) 20 x 24 x 1	7/8	3/8	12J20	189
NAM60V2TA4	208/230/60/1	25	70VA	(1) 20 x 24 x 1	7/8	3/8	12J20	199

INSTALLATION CLEARANCES WITH ELECTRIC HEAT

Cabinet	0 in. (0 mm)
To Plenum	0 in. (0mm)
To Outlet Duct within 3 ft. (914mm)	0 in. (0 mm)
Floor	See Note #1
Service / Maintenance	See Note #2

1 Units installed on combustible floors in the downflow position with electric heat require optional downflow combustible flooring base

2 Front service access - 24 in. (610 mm) minimum.

Note - If cabinet depth is more than 24 in. (610mm), allow a minimum of the cabinet depth plus 2 in. (51 mm).

ACCESSORIES

Description	Where Used	Kit Number
Circuit Breaker Cover Kit	All Models	82W01
Downflow Combustible Flooring Base	All Models	44K15
Horizontal Support Frame Kit	All Models	56J18
Side Return Unit Stand (Upflow)	All Models	45K32
Single-Point Power Source Control Box	All Models	21H39
ECB27-5CB-P	All Models	17D47
ECB27-9CB-P	All Models	17D52
ECB27-12.5CB-P	30, 36, 42, 48, 60	17D53
ECB27-15CB-P	30, 36, 42, 48, 60	17D54
ECB27-20CB-P	36, 42, 48, 60	17D55
ECB27-25CB-P	48, 60	17D56

ELECTRIC HEAT

Size	Model	C/B Size *	WHERE USED	Cat #
Electric Heat Kits with Circuit Breaker				
5 kW	ECB27-5CB-P	35A	24, 30, 36, 42, 48, 60	17D47
9 kW	ECB27-9CB-P	60A	24, 30, 36, 42, 48, 60	17D52
12.5 kW	ECB27-12.5CB-P	30A + 45A	30, 36, 42, 48, 60	17D53
15 kW	ECB27-15CB-P	35A + 60A	30, 36, 42, 48, 60	17D54
20 kW	ECB27-20CB-P	60A + 60A	36, 42, 48, 60	17D55
25 kW	ECB27-25CB-P	60A + 45A + 45A	48, 60	17D56

Replacement Circuit Breakers (2 pole)		
Volts	Size	Cat #
208/240V- 1 phase	25A	41K13
	30A	17K70
	35A	72K07
	40A	49K14
	45A	17K71
	50A	41K12
	60A	17K72

* Circuit breaker must match rated "Max C/B Size"; replace breaker as necessary.

ELECTRICAL

Model	Heater Model	Electric Heat Capacity				Blower Motor Full Load Amps ²	Minimum Circuit Ampacity (240/208 Volts) ³			Maximum Overcurrent Protection (240/208 Volts) ^{4,5}			Single Point Power Source	
		kW Input		Btuh Input ¹			CKT-1	CKT-2	CKT-3	CKT-1	CKT-2	CKT-3	Minimum Circuit Amp ³	Maximum Overcurrent Protection ⁵
		240 Volts	208 Volts	240 Volts	208 Volts									
NAM24V2	NONE	---	---	---	---	4.00	5/5	---	---	15/15	---	---	---	---
	ECB27-5CB-P	5.00	3.80	17100	12,800		31/28	---	---	35/30	---	---	31/28	35/30
	ECB27-9CB-P	9.00	6.80	30700	23,100		52/46	---	---	60/50	---	---	52/46	60/50
NAM30V2	NONE	---	---	---	---	3.90	5/5	---	---	15/15	---	---	---	---
	ECB27-5CB-P	5.00	3.80	17100	12800		31/28	---	---	35/30	---	---	31/28	35/30
	ECB27-9CB-P	9.00	6.80	30700	23100		52/46	---	---	60/50	---	---	52/46	35/30
	ECB27-12.5CB-P	12.50	9.40	42600	32000		27/24	44/38	---	30/25	45/40	---	71/61	80/70
	ECB27-15CB-P	15.00	11.30	51200	38400		31/28	52/45	---	35/30	60/45	---	83/72	90/80
NAM36V2	NONE	---	---	---	---	5.20	5/5	---	---	15/15	---	---	---	---
	ECB27-5CB-P	5.00	3.80	17100	12800		33/29	---	---	35/30	---	---	33/29	35/30
	ECB27-9CB-P	9.00	6.80	30700	23100		53/47	---	---	60/50	---	---	53/47	60/50
	ECB27-12.5CB-P	12.50	9.40	42600	32000		28/25	44/38	---	35/30	45/40	---	72/63	80/70
	ECB27-15CB-P	15.00	11.30	51200	38400		33/29	52/45	---	35/30	60/45	---	85/74	90/80
	ECB27-20CB-P	20.00	15.00	68200	51200		53/47	57/50	---	60/50	60/50	---	111/97	125/100
NAM42V2	NONE	---	---	---	---	7.40	10/10	---	---	20/20	---	---	---	---
	ECB27-5CB-P	5.00	3.80	17100	12800		35/31	---	---	35/35	---	---	35/31	35/35
	ECB27-9CB-P	9.00	6.80	30700	23100		56/49	---	---	60/50	---	---	56/49	60/50
	ECB27-12.5CB-P	12.50	9.40	42600	32000		31/27	44/38	---	35/30	45/40	---	74/65	80/70
	ECB27-15CB-P	15.00	11.30	51200	38400		35/31	52/45	---	35/35	60/45	---	87/76	90/80
	ECB27-20CB-P	20.00	15.00	68200	51200		56/49	57/50	---	60/50	60/50	---	113/99	125/100
NAM48V2	NONE	---	---	---	---	6.90	10/10	---	---	20/20	---	---	---	---
	ECB27-5CB-P	5.00	3.80	17100	12800		35/31	---	---	35/35	---	---	35/31	35/35
	ECB27-9CB-P	9.00	6.80	30700	23100		56/49	---	---	60/50	---	---	56/49	60/50
	ECB27-12.5CB-P	12.50	9.40	42600	32000		31/27	44/38	---	35/30	45/40	---	74/65	80/70
	ECB27-15CB-P	15.00	11.30	51200	38400		35/31	52/45	---	35/35	60/45	---	87/76	90/80
	ECB27-20CB-P	20.00	15.00	68200	51200		56/49	57/50	---	60/50	60/50	---	113/99	125/100
	ECB27-25CB-P	25.00	18.80	85300	64100		52/46	44/38	44/38	60/50	45/40	45/40	140/122	150/125
	ECB27-25CB-P	25.00	18.80	85300	64100		52/46	44/38	44/38	60/50	45/40	45/40	140/122	150/125
NAM60V2	NONE	---	---	---	---	6.90	10/10	---	---	20/20	---	---	---	---
	ECB27-5CB-P	5.00	3.80	17100	12800		35/31	---	---	35/35	---	---	35/31	35/35
	ECB27-9CB-P	9.00	6.80	30700	23100		56/49	---	---	60/50	---	---	56/49	60/50
	ECB27-12.5CB-P	12.50	9.40	42600	32000		31/27	44/38	---	35/30	45/40	---	74/65	80/70
	ECB27-15CB-P	15.00	11.30	51200	38400		35/31	52/45	---	35/35	60/45	---	87/76	90/80
	ECB27-20CB-P	20.00	15.00	68200	51200		56/49	57/50	---	60/50	60/50	---	113/99	125/100
	ECB27-25CB-P	25.00	18.80	85300	64100		52/46	44/38	44/38	60/50	45/40	45/40	140/122	150/125
	ECB27-25CB-P	25.00	18.80	85300	64100		52/46	44/38	44/38	60/50	45/40	45/40	140/122	150/125

NOTE - Circuit 1 Minimum Circuit Ampacity includes the Blower Motor Full Load Amps.

¹ Electric heater capacity only - does not include additional blower motor heat capacity.

² Amps shown are for blower motor only

³ Refer to National or Canadian Electrical Code manual to determine wire, fuse and disconnect size requirements. Use wires suitable for at least 167°F.

⁴ 208 Volt applications must replace circuit breakers with size noted in table.

⁵ HACR type circuit breaker or fuse.

BLOWER

NAM24V2 BLOWER PERFORMANCE								
0 through 0.80 In. w.g. External Static Pressure Range								
"ADJUST" Jumper Setting	Jumper Speed Positions							
	"HEAT" Speed				"COOL" Speed			
	1 cfm	2 cfm	3 cfm	4 cfm	1 cfm	2 cfm	3 cfm	4 cfm
+	460	685	885	1050	460	685	885	1050
NORM	400	575	795	940	400	575	795	940
-	365	515	715	830	365	515	715	830

NOTES - The effect of static pressure, filter and electric heater resistance is included in the air volumes listed. First stage cooling air volume is 70% of COOL speed setting. Continuous fan speed is approximately 28%, 38%, 70% and 100% (Jumper selectable) of the same second-stage COOL speed selected, minimum 250 cfm. Zoning System applications - minimum blower speed is 250 cfm.

NAM24V2 BLOWER WATTS									
AT "+" (Plus) SETTING ("Adjust" Jumper at "+" Setting)									
Jumper Speed Positions		Motor Watts @ Various External Static Pressures - In. w.g.							
		0.1	0.2	0.3	0.4	0.5	0.6	0.7	0.8
"HEAT" Speed	Tap 1	32	44	58	71	90	104	131	145
	Tap 2	56	85	103	121	139	165	190	207
	Tap 3	105	131	161	183	202	241	263	292
	Tap 4	164	194	220	253	277	310	330	360
"COOL" Speed	Tap 1	32	44	58	71	90	104	131	145
	Tap 2	56	85	103	121	139	165	190	207
	Tap 3	105	131	161	183	202	241	263	292
	Tap 4	164	194	220	253	277	310	330	360

AT "NORM" SETTING ("Adjust" Jumper at "NORM" Setting)									
Jumper Speed Positions		Motor Watts @ Various External Static Pressures - In. w.g.							
		0.1	0.2	0.3	0.4	0.5	0.6	0.7	0.8
"HEAT" Speed	Tap 1	27	42	52	59	79	99	114	133
	Tap 2	44	59	77	95	117	137	152	183
	Tap 3	79	108	126	159	181	199	231	252
	Tap 4	117	145	167	197	228	254	273	313
"COOL" Speed	Tap 1	27	42	52	69	79	99	114	133
	Tap 2	44	59	77	95	117	137	152	183
	Tap 3	79	108	126	159	181	199	231	252
	Tap 4	117	145	167	197	228	254	273	313

AT "-" (Minus) SETTING ("Adjust" Jumper at "-" Setting)									
Jumper Speed Positions		Motor Watts @ Various External Static Pressures - In. w.g.							
		0.1	0.2	0.3	0.4	0.5	0.6	0.7	0.8
"HEAT" Speed	Tap 1	24	40	48	60	76	94	106	117
	Tap 2	37	48	68	93	106	129	145	157
	Tap 3	70	85	106	129	153	181	203	222
	Tap 4	90	117	138	162	190	216	236	265
"COOL" Speed	Tap 1	24	40	48	60	76	94	106	117
	Tap 2	37	48	68	93	106	129	145	157
	Tap 3	70	85	106	129	153	181	203	222
	Tap 4	90	117	138	162	190	216	236	265

BLOWER

NAM30V2 BLOWER PERFORMANCE								
0 through 0.80 In. w.g. External Static Pressure Range								
"ADJUST" Jumper Setting	Jumper Speed Positions							
	"HEAT" Speed				"COOL" Speed			
	1 cfm	2 cfm	3 cfm	4 cfm	1 cfm	2 cfm	3 cfm	4 cfm
+	630	875	1095	1315	630	875	1095	1315
NORM	545	785	995	1195	545	785	995	1195
-	510	700	890	1075	510	700	890	1075

NOTES - The effect of static pressure, filter and electric heater resistance is included in the air volumes listed. First stage cooling air volume is 70% of COOL speed setting. Continuous fan speed is approximately 28%, 38%, 70% and 100% (Jumper selectable) of the same second-stage COOL speed selected, minimum 250 cfm. Zoning System applications - minimum blower speed is 250 cfm.

NAM30V2 BLOWER WATTS									
AT "+" (Plus) SETTING ("Adjust" Jumper at "+" Setting)									
Jumper Speed Positions		Motor Watts @ Various External Static Pressures - In. w.g.							
		0.1	0.2	0.3	0.4	0.5	0.6	0.7	0.8
"HEAT" Speed	Tap 1	35	55	76	95	116	138	164	179
	Tap 2	80	100	122	148	171	194	214	239
	Tap 3	140	167	189	216	237	273	291	322
	Tap 4	231	262	295	328	355	377	412	441
"COOL" Speed	Tap 1	35	55	76	95	116	138	164	179
	Tap 2	80	100	122	148	171	194	214	239
	Tap 3	140	167	189	216	237	273	291	322
	Tap 4	231	262	295	328	355	377	412	441

AT "NORM" SETTING ("Adjust" Jumper at "NORM" Setting)									
Jumper Speed Positions		Motor Watts @ Various External Static Pressures - In. w.g.							
		0.1	0.2	0.3	0.4	0.5	0.6	0.7	0.8
"HEAT" Speed	Tap 1	36	48	61	80	92	114	124	139
	Tap 2	61	84	104	122	143	169	186	210
	Tap 3	109	134	153	178	203	231	254	281
	Tap 4	174	205	238	264	284	310	338	372
"COOL" Speed	Tap 1	36	48	61	80	92	114	124	139
	Tap 2	61	84	104	122	143	169	186	210
	Tap 3	109	134	153	178	203	231	254	281
	Tap 4	174	205	238	264	284	310	338	372

AT "-" (Minus) SETTING ("Adjust" Jumper at "-" Setting)									
Jumper Speed Positions		Motor Watts @ Various External Static Pressures - In. w.g.							
		0.1	0.2	0.3	0.4	0.5	0.6	0.7	0.8
"HEAT" Speed	Tap 1	29	43	58	77	88	102	119	134
	Tap 2	44	64	89	106	125	157	174	202
	Tap 3	85	104	129	152	176	199	219	239
	Tap 4	133	157	185	207	231	258	285	317
"COOL" Speed	Tap 1	29	43	58	77	88	102	119	134
	Tap 2	44	64	89	106	125	157	174	202
	Tap 3	85	104	129	152	176	199	219	239
	Tap 4	133	157	185	207	231	258	285	317

BLOWER

NAM36V2 BLOWER PERFORMANCE								
0 through 0.80 In. w.g. External Static Pressure Range								
"ADJUST" Jumper Setting	Jumper Speed Positions							
	"HEAT" Speed				"COOL" Speed			
	1 cfm	2 cfm	3 cfm	4 cfm	1 cfm	2 cfm	3 cfm	4 cfm
+	920	1255	1410	1580	920	1255	1410	1580
NORM	815	1165	1315	1435	815	1165	1315	1435
-	720	1010	1155	1285	720	1010	1155	1285

NOTES - The effect of static pressure, filter and electric heater resistance is included in the air volumes listed. First stage cooling air volume is 70% of COOL speed setting. Continuous fan speed is approximately 28%, 38%, 70% and 100% (Jumper selectable) of the same second-stage COOL speed selected, minimum 250 cfm. Zoning System applications - minimum blower speed is 250 cfm.

NAM36V2 BLOWER WATTS									
AT "+" (Plus) SETTING ("Adjust" Jumper at "+" Setting)									
Jumper Speed Positions		Motor Watts @ Various External Static Pressures - In. w.g.							
		0.1	0.2	0.3	0.4	0.5	0.6	0.7	0.8
"HEAT" Speed	Tap 1	88	108	132	161	190	208	234	248
	Tap 2	174	212	237	269	304	328	370	385
	Tap 3	232	282	314	341	374	410	343	473
	Tap 4	332	365	409	438	480	520	546	576
"COOL" Speed	Tap 1	88	108	132	161	190	208	234	248
	Tap 2	174	212	237	269	304	328	370	386
	Tap 3	232	282	314	341	374	410	434	473
	Tap 4	332	365	409	438	480	520	546	576

AT "NORM" SETTING ("Adjust" Jumper at "NORM" Setting)									
Jumper Speed Positions		Motor Watts @ Various External Static Pressures - In. w.g.							
		0.1	0.2	0.3	0.4	0.5	0.6	0.7	0.8
"HEAT" Speed	Tap 1	70	89	113	137	155	188	199	233
	Tap 2	145	168	201	221	258	279	316	348
	Tap 3	200	223	265	293	316	359	374	403
	Tap 4	259	291	309	251	390	429	447	488
"COOL" Speed	Tap 1	70	89	113	137	155	188	199	233
	Tap 2	145	168	201	221	258	279	316	348
	Tap 3	200	223	265	293	316	359	374	403
	Tap 4	259	291	309	351	390	429	447	488

AT "-" (Minus) SETTING ("Adjust" Jumper at "-" Setting)									
Jumper Speed Positions		Motor Watts @ Various External Static Pressures - In. w.g.							
		0.1	0.2	0.3	0.4	0.5	0.6	0.7	0.8
"HEAT" Speed	Tap 1	50	78	97	119	144	163	185	199
	Tap 2	105	130	156	177	212	239	264	280
	Tap 3	144	167	197	224	255	281	316	340
	Tap 4	191	229	253	283	310	339	366	398
"COOL" Speed	Tap 1	50	78	97	119	144	163	185	199
	Tap 2	105	130	156	177	212	239	264	280
	Tap 3	144	167	197	224	255	281	316	340
	Tap 4	191	229	253	283	310	339	366	398

BLOWER

NAM42V2 BLOWER PERFORMANCE								
0 through 0.80 In. w.g. External Static Pressure Range								
"ADJUST" Jumper Setting	Jumper Speed Positions							
	"HEAT" Speed				"COOL" Speed			
	1 cfm	2 cfm	3 cfm	4 cfm	1 cfm	2 cfm	3 cfm	4 cfm
+	1100	1320	1540	1760	1100	1320	1540	1760
NORM	1000	1200	1400	1600	1000	1200	1400	1600
-	900	1080	1260	1440	900	1080	1260	1440

NOTES - The effect of static pressure, filter and electric heater resistance is included in the air volumes listed. First stage cooling air volume is 70% of COOL speed setting. Continuous fan speed is approximately 28%, 38%, 70% and 100% (Jumper selectable) of the same second-stage COOL speed selected, minimum 250 cfm. Zoning System applications - minimum blower speed is 250 cfm.

NAM42V2 BLOWER WATTS									
AT "+" (Plus) SETTING ("Adjust" Jumper at "+" Setting)									
Jumper Speed Positions		Motor Watts @ Various External Static Pressures - In. w.g.							
		0.1	0.2	0.3	0.4	0.5	0.6	0.7	0.8
"HEAT" Speed	Tap 1	121	154	177	199	233	252	283	315
	Tap 2	189	221	247	282	310	344	370	403
	Tap 3	283	312	341	382	422	454	481	515
	Tap 4	407	446	488	528	567	583	646	671
"COOL" Speed	Tap 1	121	154	177	199	233	252	283	315
	Tap 2	189	221	247	282	310	344	370	403
	Tap 3	283	312	341	382	422	454	481	515
	Tap 4	407	446	488	528	567	583	646	671

AT "NORM" SETTING ("Adjust" Jumper at "NORM" Setting)									
Jumper Speed Positions		Motor Watts @ Various External Static Pressures - In. w.g.							
		0.1	0.2	0.3	0.4	0.5	0.6	0.7	0.8
"HEAT" Speed	Tap 1	104	134	153	184	207	236	257	286
	Tap 2	142	171	203	234	253	298	327	351
	Tap 3	212	240	269	308	337	371	408	429
	Tap 4	309	341	367	406	441	476	516	559
"COOL" Speed	Tap 1	104	134	153	184	207	236	257	286
	Tap 2	142	171	203	234	253	298	327	351
	Tap 3	212	240	269	308	337	371	408	429
	Tap 4	309	341	367	406	441	476	516	559

AT "-" (Minus) SETTING ("Adjust" Jumper at "-" Setting)									
Jumper Speed Positions		Motor Watts @ Various External Static Pressures - In. w.g.							
		0.1	0.2	0.3	0.4	0.5	0.6	0.7	0.8
"HEAT" Speed	Tap 1	78	104	126	155	175	199	209	247
	Tap 2	115	139	168	196	218	247	274	309
	Tap 3	165	192	220	247	290	316	360	376
	Tap 4	237	269	301	327	356	407	430	481
"COOL" Speed	Tap 1	78	104	126	155	175	199	209	247
	Tap 2	115	139	168	196	218	247	274	309
	Tap 3	165	192	220	247	290	316	360	376
	Tap 4	237	269	301	327	356	407	430	481

BLOWER

NAM48V2 BLOWER PERFORMANCE								
0 through 0.80 In. w.g. External Static Pressure Range								
"ADJUST" Jumper Setting	Jumper Speed Positions							
	"HEAT" Speed				"COOL" Speed			
	1 cfm	2 cfm	3 cfm	4 cfm	1 cfm	2 cfm	3 cfm	4 cfm
+	1670	1870	2100	2200	1670	1870	2100	2200
NORM	1460	1670	1870	2100	1460	1670	1870	2100
-	1230	1410	1600	1800	1230	1410	1600	1800

NOTES - The effect of static pressure, filter and electric heater resistance is included in the air volumes listed. First stage cooling air volume is 70% of COOL speed setting. Continuous fan speed is approximately 28%, 38%, 70% and 100% (Jumper selectable) of the same second-stage COOL speed selected, minimum 250 cfm. Zoning System applications - minimum blower speed is 250 cfm.

NAM48V2 BLOWER WATTS									
AT "+" (Plus) SETTING ("Adjust" Jumper at "+" Setting)									
Jumper Speed Positions		Motor Watts @ Various External Static Pressures - In. w.g.							
		0.1	0.2	0.3	0.4	0.5	0.6	0.7	0.8
"HEAT" Speed	Tap 1	335	374	399	436	495	518	572	611
	Tap 2	459	502	537	586	644	689	724	759
	Tap 3	668	738	778	845	881	957	996	1019
	Tap 4	808	865	922	975	1003	1025	1017	987
"COOL" Speed	Tap 1	335	374	399	463	495	518	572	611
	Tap 2	459	502	537	586	644	689	724	759
	Tap 3	668	738	778	845	881	957	996	1019
	Tap 4	808	865	922	975	1003	1025	1017	987

AT "NORM" SETTING ("Adjust" Jumper at "NORM" Setting)									
Jumper Speed Positions		Motor Watts @ Various External Static Pressures - In. w.g.							
		0.1	0.2	0.3	0.4	0.5	0.6	0.7	0.8
"HEAT" Speed	Tap 1	225	264	289	336	358	396	432	464
	Tap 2	320	374	398	434	484	523	558	610
	Tap 3	451	489	529	583	619	682	721	768
	Tap 4	643	699	731	795	848	919	966	998
"COOL" Speed	Tap 1	225	264	289	336	358	396	432	464
	Tap 2	320	374	398	434	484	523	558	610
	Tap 3	451	489	529	583	619	682	721	768
	Tap 4	643	699	731	795	848	919	966	998

AT "-" (Minus) SETTING ("Adjust" Jumper at "-" Setting)									
Jumper Speed Positions		Motor Watts @ Various External Static Pressures - In. w.g.							
		0.1	0.2	0.3	0.4	0.5	0.6	0.7	0.8
"HEAT" Speed	Tap 1	146	178	207	227	265	299	317	359
	Tap 2	207	243	272	305	345	371	419	438
	Tap 3	290	347	383	412	447	486	525	548
	Tap 4	410	440	491	528	572	613	651	694
"COOL" Speed	Tap 1	146	178	207	227	265	299	317	359
	Tap 2	207	243	272	305	345	371	419	438
	Tap 3	290	347	383	412	447	486	525	548
	Tap 4	410	440	491	528	572	613	651	694

BLOWER

NAM60V2 BLOWER PERFORMANCE								
0 through 0.80 In. w.g. External Static Pressure Range								
"ADJUST" Jumper Setting	Jumper Speed Positions							
	"HEAT" Speed				"COOL" Speed			
	1 cfm	2 cfm	3 cfm	4 cfm	1 cfm	2 cfm	3 cfm	4 cfm
+	1695	1890	2140	2210	1695	1890	2140	2210
NORM	1525	1680	1850	2075	1525	1680	1850	2075
-	1300	1450	1630	1800	1300	1450	1630	1800

NOTES - The effect of static pressure, filter and electric heater resistance is included in the air volumes listed. First stage cooling air volume is 70% of COOL speed setting. Continuous fan speed is approximately 28%, 38%, 70% and 100% (Jumper selectable) of the same second-stage COOL speed selected, minimum 250 cfm. Zoning System applications - minimum blower speed is 250 cfm.

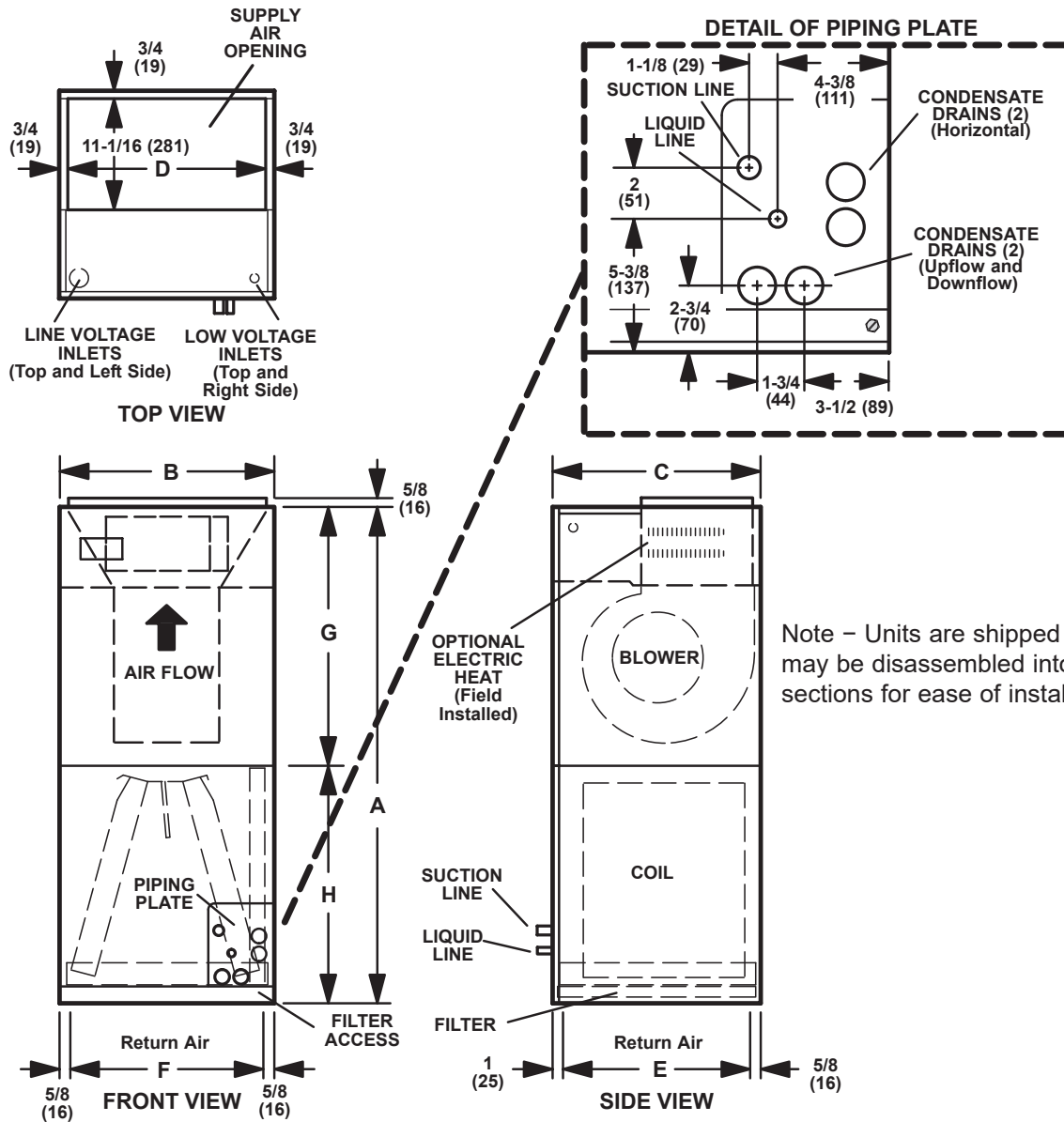
NAM60V2 BLOWER WATTS									
AT "+" (Plus) SETTING ("Adjust" Jumper at "+" Setting)									
Jumper Speed Positions		Motor Watts @ Various External Static Pressures - In. w.g.							
		0.1	0.2	0.3	0.4	0.5	0.6	0.7	0.8
"HEAT" Speed	Tap 1	334	368	412	449	491	532	557	603
	Tap 2	462	511	549	601	640	681	720	762
	Tap 3	670	710	765	820	868	921	963	1005
	Tap 4	757	810	853	909	961	1001	1034	1026
"COOL" Speed	Tap 1	334	368	412	449	491	532	557	603
	Tap 2	462	511	549	601	640	681	720	762
	Tap 3	670	710	765	820	868	921	963	1005
	Tap 4	757	810	853	909	961	1001	1034	1026

AT "NORM" SETTING ("Adjust" Jumper at "NORM" Setting)									
Jumper Speed Positions		Motor Watts @ Various External Static Pressures - In. w.g.							
		0.1	0.2	0.3	0.4	0.5	0.6	0.7	0.8
"HEAT" Speed	Tap 1	245	285	319	350	398	425	462	497
	Tap 2	330	368	414	443	469	505	558	600
	Tap 3	442	497	515	554	603	643	685	735
	Tap 4	600	653	701	752	798	842	889	935
"COOL" Speed	Tap 1	245	285	319	350	398	425	462	497
	Tap 2	330	368	414	443	469	505	558	600
	Tap 3	442	497	515	554	603	643	685	735
	Tap 4	600	653	701	752	798	842	889	935

AT "-" (Minus) SETTING ("Adjust" Jumper at "-" Setting)									
Jumper Speed Positions		Motor Watts @ Various External Static Pressures - In. w.g.							
		0.1	0.2	0.3	0.4	0.5	0.6	0.7	0.8
"HEAT" Speed	Tap 1	181	204	235	261	304	332	357	383
	Tap 2	218	259	283	315	357	390	422	457
	Tap 3	300	333	365	395	443	476	527	559
	Tap 4	400	430	470	515	543	592	639	678
"COOL" Speed	Tap 1	181	204	235	261	304	332	357	383
	Tap 2	218	259	283	315	357	390	422	457
	Tap 3	300	333	365	395	443	476	527	559
	Tap 4	400	430	470	515	543	592	639	678

UNIT DIMENSIONS - IN. (MM)

UPFLOW POSITION



Dimension	24		30		36		42/48		60	
	in.	mm	in.	mm	in.	mm	in.	mm	in.	mm
A	49.25	1251	51	1295	51	1295	58.5	1486	62.5	1588
B	21.25	540	21.25	540	21.25	540	21.25	540	21.25	540
C	20.63	524	22.625	575	22.625	575	24.625	625	24.625	625
D	19.75	502	19.75	502	19.75	502	19.75	502	19.75	502
E	19	483	21	533	21	533	23	584	23	584
F	20	508	20	508	20	508	20	508	20	508
G	24.625	625	26.375	670	26.375	670	27.875	708	27.875	708
H	24.625	625	24.625	625	24.625	625	30.625	778	34.625	879

All specifications and illustrations subject to change without notice and without incurring obligations.



GE APPLIANCES
a Haier company

All specifications and illustrations subject to change without notice and without incurring obligations.

Printed in the U.S.A.



GE APPLIANCES
a Haier company

**Caractéristiques
techniques du
produit**

NAMV2TA
**UNITÉ DE TRAITEMENT D'AIR
AMÉLIORÉE À VITESSE VARIABLE**



**LISEZ ET CONSERVEZ CES
INSTRUCTIONS**

NAMV2TA

CARACTÉRISTIQUES TECHNIQUES DU PRODUIT

APPLICATION

- Systèmes de 2 à 5 tonnes
- Capacité de flux ascendant, horizontal et descendant
- Séquencé pour la gestion de la demande
- Accès externe aux disjoncteurs du chauffage

INSTALLATION

- Expédié en une seule pièce, mais peut être démonté en deux pièces séparées pour faciliter l'installation
- Multiposition - Prêt en usine pour les applications de flux ascendant, descendant et horizontal gauche/droite
- Pas de têtes de vis saillantes sur les côtés de l'unité pour s'adapter aux espaces restreints

CARROSSERIE

- Isolant épais à revêtement en feuille
- Meilleure étanchéité des portes pour un meilleur ajustement
- Porte-filtre avec vis à serrage manuel pour un accès et un retrait faciles
- Peinture polyester cuite sur acier galvanisé pour une durabilité maximale
- Joints en caoutchouc épais entre chaque section assurant une étanchéité parfaite lors de la conversion en flux descendant
- Bac de vidange en polymère haute résistance qui résiste aux UV, à la chaleur et la corrosion
- Bac de vidange en polymère antimicrobien conçu pour résister à la moisissure
- Fuite d'air de 2 % ou moins

SERPENTINS

- Technologie de protection totale contre la corrosion
- Conception à tubes et ailettes améliorée
- Ailettes lancéolées pour un transfert de chaleur maximal
- Construction étanche testée en usine et préchargée avec une charge de rétention d'azote

COMPOSANTS

- Moteur efficace à commutation électronique et vitesse variable
- Transformateur 70 VA
- Trousses de chauffage électrique 5 - 25 kW installées sur le terrain avec connexions faciles
- Soufflante à temporisation intégrée pour une efficacité accrue
- Manchons sur les tuyaux du distributeur pour une protection supplémentaire

COMMANDES

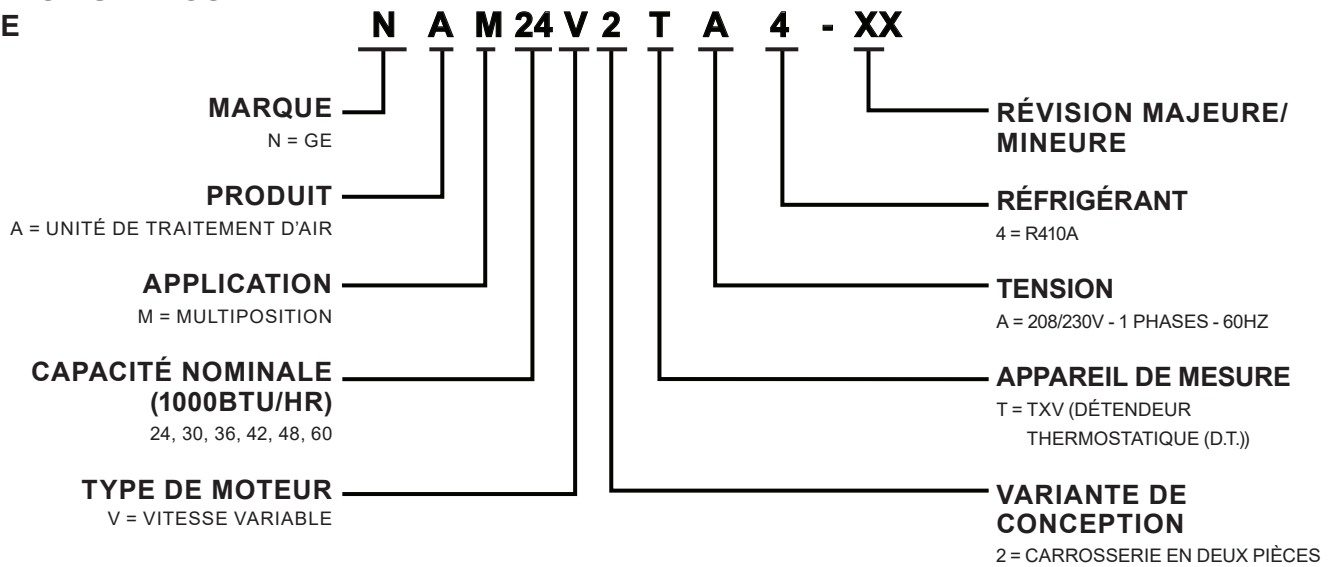
- Autodiagnostic qui enregistre les 10 derniers codes d'erreur indépendamment des coupures de courant

GARANTIE

Voir le document de garantie pour plus de détails.



GUIDE DES NUMÉROS DE MODÈLE



CARACTÉRISTIQUES PHYSIQUES

Modèle	Volts/Hz/Phase	Chauff. élect. max. disponible (kW)	Puiss. apparente transformateur	Dim. du filtre (po)	Connexion du réfrigérant (IDS)		Modèle D.T. installé	Poids (lb)
					Aspiration (po)	Liquide (po)		
NAM24V2TA4	208/230/60/1	9	70VA	(1) 20 x 20 x 1	3/4	3/8	12J18	141
NAM30V2TA4	208/230/60/1	15	70VA	(1) 20 x 20 x 1	3/4	3/8	12J18	154
NAM36V2TA4	208/230/60/1	20	70VA	(1) 20 x 20 x 1	3/4	3/8	12J19	159
NAM42V2TA4	208/230/60/1	20	70VA	(1) 20 x 24 x 1	7/8	3/8	12J20	189
NAM48V2TA4	208/230/60/1	25	70VA	(1) 20 x 24 x 1	7/8	3/8	12J20	189
NAM60V2TA4	208/230/60/1	25	70VA	(1) 20 x 24 x 1	7/8	3/8	12J20	199

DÉGAGEMENTS D'INSTALLATION AVEC LE CHAUFFAGE ÉLECTRIQUE

Carrosserie	0 in. (0 mm)
Au plénum	0 in. (0mm)
Au conduit de sortie à moins de 3 pi (914 mm)	0 in. (0 mm)
Plancher	Voir remarque #1
Entretien	Voir remarque #2

¹ Les unités installées en position de flux descendant sur des sols combustibles avec chaleur électrique nécessitent une base pour plancher combustible avec flux descendant en option

² Accès frontal pour l'entretien - 24 po (610 mm) minimum.

Remarque : Si la profondeur de l'enceinte est supérieure à 24 pouces (610 mm), ajoutez 2 pouces (51 mm) à la profondeur minimale d'enceinte.

ACCESSOIRES

Description	Cas d'emploi	Numéro de trousse
Trousse de capot de disjoncteur	Tous les modèles	82W01
Base pour plancher combustible avec flux descendant	Tous les modèles	44K15
Trousse de cadre de support horizontal	Tous les modèles	56J18
Support d'unité à retour latéral (flux ascendant)	Tous les modèles	45K32
Boîtier de commande pour source d'alimentation à point unique	Tous les modèles	21H39
ECB27-5CB-P	Tous les modèles	17D47
ECB27-9CB-P	Tous les modèles	17D52
ECB27-12.5CB-P	30, 36, 42, 48, 60	17D53
ECB27-15CB-P	30, 36, 42, 48, 60	17D54
ECB27-20CB-P	36, 42, 48, 60	17D55
ECB27-25CB-P	48, 60	17D56

CHAUFFAGE ÉLECTRIQUE

Puissance	Modèle	Intensité disjoncteur*	Cas d'emploi	N° Cat.
Trousses de chauffage électrique avec disjoncteur				
5 kW	ECB27-5CB-P	35A	24, 30, 36, 42, 48, 60	17D47
9 kW	ECB27-9CB-P	60A	24, 30, 36, 42, 48, 60	17D52
12.5 kW	ECB27-12.5CB-P	30A + 45A	30, 36, 42, 48, 60	17D53
15 kW	ECB27-15CB-P	35A + 60A	30, 36, 42, 48, 60	17D54
20 kW	ECB27-20CB-P	60A + 60A	36, 42, 48, 60	17D55
25 kW	ECB27-25CB-P	60A + 45A + 45A	48, 60	17D56

Disjoncteurs de rechange (2 pôles)		
Volts	Intensité	N° Cat.
208/240V- 1 phase	25A	41K13
	30A	17K70
	35A	72K07
	40A	49K14
	45A	17K71
	50A	41K12
	60A	17K72

* Le disjoncteur doit correspondre à l'intensité maximale nominale; remplacer le disjoncteur si nécessaire.

CARACTÉRISTIQUES ÉLECTRIQUES

Modèle	Modèle d'élément chauffant	Capacité de chauffage électrique				Intensité pleine charge moteur soufflante ²	Intensité minimale admissible du circuit (240/208 volts) ³			Protection maximale contre surintensités (240/208 volts) ^{4,5}			Source d'alimentation à point unique	
		Entrée - kW		Entrée - BTU/H ¹			CKT-1	CKT-2	CKT-3	CKT-1	CKT-2	CKT-3	Intensité minimale du circuit ³	Protection max. surintensités ⁵
		240 Volts	208 Volts	240 Volts	208 Volts									
NAM24V2	AUCUN	---	---	---	---	4.00	5/5	---	---	15/15	---	---	---	---
	ECB27-5CB-P	5.00	3.80	17100	12,800	4.00	31/28	---	---	35/30	---	---	31/28	35/30
	ECB27-9CB-P	9.00	6.80	30700	23,100	4.00	52/46	---	---	60/50	---	---	52/46	60/50
NAM30V2	AUCUN	---	---	---	---	3.90	5/5	---	---	15/15	---	---	---	---
	ECB27-5CB-P	5.00	3.80	17100	12800		31/28	---	---	35/30	---	---	31/28	35/30
	ECB27-9CB-P	9.00	6.80	30700	23100		52/46	---	---	60/50	---	---	52/46	35/30
	ECB27-12.5CB-P	12.50	9.40	42600	32000		27/24	44/38	---	30/25	45/40	---	71/61	80/70
	ECB27-15CB-P	15.00	11.30	51200	38400		31/28	52/45	---	35/30	60/45	---	83/72	90/80
NAM36V2	AUCUN	---	---	---	---	5.20	5/5	---	---	15/15	---	---	---	---
	ECB27-5CB-P	5.00	3.80	17100	12800		33/29	---	---	35/30	---	---	33/29	35/30
	ECB27-9CB-P	9.00	6.80	30700	23100		53/47	---	---	60/50	---	---	53/47	60/50
	ECB27-12.5CB-P	12.50	9.40	42600	32000		28/25	44/38	---	35/30	45/40	---	72/63	80/70
	ECB27-15CB-P	15.00	11.30	51200	38400		33/29	52/45	---	35/30	60/45	---	85/74	90/80
	ECB27-20CB-P	20.00	15.00	68200	51200		53/47	57/50	---	60/50	60/50	---	111/97	125/100
NAM42V2	AUCUN	---	---	---	---	7.40	10/10	---	---	20/20	---	---	---	---
	ECB27-5CB-P	5.00	3.80	17100	12800		35/31	---	---	35/35	---	---	35/31	35/35
	ECB27-9CB-P	9.00	6.80	30700	23100		56/49	---	---	60/50	---	---	56/49	60/50
	ECB27-12.5CB-P	12.50	9.40	42600	32000		31/27	44/38	---	35/30	45/40	---	74/65	80/70
	ECB27-15CB-P	15.00	11.30	51200	38400		35/31	52/45	---	35/35	60/45	---	87/76	90/80
	ECB27-20CB-P	20.00	15.00	68200	51200		56/49	57/50	---	60/50	60/50	---	113/99	125/100
NAM48V2	AUCUN	---	---	---	---	6.90	10/10	---	---	20/20	---	---	---	---
	ECB27-5CB-P	5.00	3.80	17100	12800		35/31	---	---	35/35	---	---	35/31	35/35
	ECB27-9CB-P	9.00	6.80	30700	23100		56/49	---	---	60/50	---	---	56/49	60/50
	ECB27-12.5CB-P	12.50	9.40	42600	32000		31/27	44/38	---	35/30	45/40	---	74/65	80/70
	ECB27-15CB-P	15.00	11.30	51200	38400		35/31	52/45	---	35/35	60/45	---	87/76	90/80
	ECB27-20CB-P	20.00	15.00	68200	51200		56/49	57/50	---	60/50	60/50	---	113/99	125/100
	ECB27-25CB-P	25.00	18.80	85300	64100		52/46	44/38	44/38	60/50	45/40	45/40	140/122	150/125
NAM60V2	AUCUN	---	---	---	---	6.90	10/10	---	---	20/20	---	---	---	---
	ECB27-5CB-P	5.00	3.80	17100	12800		35/31	---	---	35/35	---	---	35/31	35/35
	ECB27-9CB-P	9.00	6.80	30700	23100		56/49	---	---	60/50	---	---	56/49	60/50
	ECB27-12.5CB-P	12.50	9.40	42600	32000		31/27	44/38	---	35/30	45/40	---	74/65	80/70
	ECB27-15CB-P	15.00	11.30	51200	38400		35/31	52/45	---	35/35	60/45	---	87/76	90/80
	ECB27-20CB-P	20.00	15.00	68200	51200		56/49	57/50	---	60/50	60/50	---	113/99	125/100
	ECB27-25CB-P	25.00	18.80	85300	64100		52/46	44/38	44/38	60/50	45/40	45/40	140/122	150/125

REMARQUE - L'intensité minimale admissible du circuit 1 inclut l'intensité à pleine charge du moteur de la soufflante.

¹ Capacité de chauffage électrique uniquement, n'inclut pas la capacité de chauffage supplémentaire du moteur de soufflante.

² L'intensité indiquée concerne uniquement le moteur de la soufflante.

³ Reportez-vous au manuel du Code national de l'électricité canadien pour déterminer les exigences de calibre des fils, des fusibles et des disjoncteurs. Utilisez des fils adaptés à une température d'au moins 167 °F.

⁴ Les applications de 208 volts doivent remplacer les disjoncteurs par ceux dont les valeurs sont indiquées dans le tableau.

⁵ Disjoncteur ou fusible de type CVCA.

SOUFFLANTE

RENDEMENT DE LA SOUFFLANTE NAM24V2								
0 à 0,80 po d'eau Plage de la pression statique extérieure								
Réglage du cavalier « AJUSTER »	Positions De Vitesse Du Cavalier							
	Vitesse « CHAUFFAGE »				Vitesse « REFROIDISSEMENT »			
	1 cfm	2 cfm	3 cfm	4 cfm	1 cfm	2 cfm	3 cfm	4 cfm
+	460	685	885	1050	460	685	885	1050
NORM	400	575	795	940	400	575	795	940
-	365	515	715	830	365	515	715	830

REMARQUES - L'effet de la pression statique, de la résistance du filtre et du réchauffeur électrique est inclus dans les volumes d'air indiqués. Le volume d'air de refroidissement du premier étage correspond à 70 % du réglage de la vitesse COOL. La vitesse continue du ventilateur est d'environ 28 %, 38 %, 70 % et 100 % (sélectionnable par cavalier) de la même vitesse de REFROIDISSEMENT de deuxième étage sélectionnée, minimum 250 cfm. Applications du système de zonage - la vitesse minimale du ventilateur est de 250 cfm.

PUISSANCE DE LA SOUFFLANTE NAM24V2									
AU RÉGLAGE « + » (Plus) (cavalier « Ajuster » au réglage « + »)									
Positions de vitesse du cavalier		Puissance du moteur à diverses pressions statiques externes - Pouces d'eau							
		0.1	0.2	0.3	0.4	0.5	0.6	0.7	0.8
Vitesse Chauffage	Prise 1	32	44	58	71	90	104	131	145
	Prise 2	56	85	103	121	139	165	190	207
	Prise 3	105	131	161	183	202	241	263	292
	Prise 4	164	194	220	253	277	310	330	360
Vitesse Refroidissement	Prise 1	32	44	58	71	90	104	131	145
	Prise 2	56	85	103	121	139	165	190	207
	Prise 3	105	131	161	183	202	241	263	292
	Prise 4	164	194	220	253	277	310	330	360

AU RÉGLAGE « NORMAL » (cavalier « Ajuster » au réglage « NORMAL »)									
Positions de vitesse du cavalier		Puissance du moteur à diverses pressions statiques externes - Pouces d'eau							
		0.1	0.2	0.3	0.4	0.5	0.6	0.7	0.8
Vitesse Chauffage	Prise 1	27	42	52	59	79	99	114	133
	Prise 2	44	59	77	95	117	137	152	183
	Prise 3	79	108	126	159	181	199	231	252
	Prise 4	117	145	167	197	228	254	273	313
Vitesse Refroidissement	Prise 1	27	42	52	69	79	99	114	133
	Prise 2	44	59	77	95	117	137	152	183
	Prise 3	79	108	126	159	181	199	231	252
	Prise 4	117	145	167	197	228	254	273	313

AU RÉGLAGE « - » (Moins) (cavalier « Ajuster » au réglage « 1 »)									
Positions de vitesse du cavalier		Puissance du moteur à diverses pressions statiques externes - Pouces d'eau							
		0.1	0.2	0.3	0.4	0.5	0.6	0.7	0.8
Vitesse Chauffage	Prise 1	24	40	48	60	76	94	106	117
	Prise 2	37	48	68	93	106	129	145	157
	Prise 3	70	85	106	129	153	181	203	222
	Prise 4	90	117	138	162	190	216	236	265
Vitesse Refroidissement	Prise 1	24	40	48	60	76	94	106	117
	Prise 2	37	48	68	93	106	129	145	157
	Prise 3	70	85	106	129	153	181	203	222
	Prise 4	90	117	138	162	190	216	236	265

SOUFFLANTE

RENDEMENT DE LA SOUFFLANTE NAM30V2								
0 à 0,80 po d'eau Plage de la pression statique extérieure								
Réglage du cavalier « AJUSTER »	Positions De Vitesse Du Cavalier							
	Vitesse « CHAUFFAGE »				Vitesse « REFROIDISSEMENT »			
	1 cfm	2 cfm	3 cfm	4 cfm	1 cfm	2 cfm	3 cfm	4 cfm
+	630	875	1095	1315	630	875	1095	1315
NORM	545	785	995	1195	545	785	995	1195
-	510	700	890	1075	510	700	890	1075

REMARQUES - L'effet de la pression statique, de la résistance du filtre et du réchauffeur électrique est inclus dans les volumes d'air indiqués. Le volume d'air de refroidissement du premier étage correspond à 70 % du réglage de la vitesse COOL. La vitesse continue du ventilateur est d'environ 28 %, 38 %, 70 % et 100 % (sélectionnable par cavalier) de la même vitesse de REFROIDISSEMENT de deuxième étage sélectionnée, minimum 250 cfm. Applications du système de zonage - la vitesse minimale du ventilateur est de 250 cfm.

PUISSANCE DE LA SOUFFLANTE NAM30V2									
AU RÉGLAGE « + » (Plus) (cavalier « Ajuster » au réglage « + »)									
Positions de vitesse du cavalier		Puissance du moteur à diverses pressions statiques externes - Pouces d'eau							
		0.1	0.2	0.3	0.4	0.5	0.6	0.7	0.8
Vitesse Chauffage	Prise 1	35	55	76	95	116	138	164	179
	Prise 2	80	100	122	148	171	194	214	239
	Prise 3	140	167	189	216	237	273	291	322
	Prise 4	231	262	295	328	355	377	412	441
Vitesse Refroidissement	Prise 1	35	55	76	95	116	138	164	179
	Prise 2	80	100	122	148	171	194	214	239
	Prise 3	140	167	189	216	237	273	291	322
	Prise 4	231	262	295	328	355	377	412	441

AU RÉGLAGE « NORMAL » (cavalier « Ajuster » au réglage « NORMAL »)									
Positions de vitesse du cavalier		Puissance du moteur à diverses pressions statiques externes - Pouces d'eau							
		0.1	0.2	0.3	0.4	0.5	0.6	0.7	0.8
Vitesse Chauffage	Prise 1	36	48	61	80	92	114	124	139
	Prise 2	61	84	104	122	143	169	186	210
	Prise 3	109	134	153	178	203	231	254	281
	Prise 4	174	205	238	264	284	310	338	372
Vitesse Refroidissement	Prise 1	36	48	61	80	92	114	124	139
	Prise 2	61	84	104	122	143	169	186	210
	Prise 3	109	134	153	178	203	231	254	281
	Prise 4	174	205	238	264	284	310	338	372

AU RÉGLAGE « - » (Moins) (cavalier « Ajuster » au réglage « 1 »)									
Positions de vitesse du cavalier		Puissance du moteur à diverses pressions statiques externes - Pouces d'eau							
		0.1	0.2	0.3	0.4	0.5	0.6	0.7	0.8
Vitesse Chauffage	Prise 1	29	43	58	77	88	102	119	134
	Prise 2	44	64	89	106	125	157	174	202
	Prise 3	85	104	129	152	176	199	219	239
	Prise 4	133	157	185	207	231	258	285	317
Vitesse Refroidissement	Prise 1	29	43	58	77	88	102	119	134
	Prise 2	44	64	89	106	125	157	174	202
	Prise 3	85	104	129	152	176	199	219	239
	Prise 4	133	157	185	207	231	258	285	317

SOUFFLANTE

RENDEMENT DE LA SOUFFLANTE NAM36V2								
0 à 0,80 po d'eau Plage de la pression statique extérieure								
Réglage du cavalier « AJUSTER »	Positions De Vitesse Du Cavalier							
	Vitesse « CHAUFFAGE »				Vitesse « REFROIDISSEMENT »			
	1	2	3	4	1	2	3	4
	cfm	cfm	cfm	cfm	cfm	cfm	cfm	cfm
+	920	1255	1410	1580	920	1255	1410	1580
NORM	815	1165	1315	1435	815	1165	1315	1435
-	720	1010	1155	1285	720	1010	1155	1285

REMARQUES - L'effet de la pression statique, de la résistance du filtre et du réchauffeur électrique est inclus dans les volumes d'air indiqués. Le volume d'air de refroidissement du premier étage correspond à 70 % du réglage de la vitesse COOL. La vitesse continue du ventilateur est d'environ 28 %, 38 %, 70 % et 100 % (sélectionnable par cavalier) de la même vitesse de REFROIDISSEMENT de deuxième étage sélectionnée, minimum 250 cfm. Applications du système de zonage - la vitesse minimale du ventilateur est de 250 cfm.

PUISSANCE DE LA SOUFFLANTE NAM36V									
AU RÉGLAGE « + » (Plus) (cavalier « Ajuster » au réglage « + »)									
Positions de vitesse du cavalier		Puissance du moteur à diverses pressions statiques externes - Pouces d'eau							
		0.1	0.2	0.3	0.4	0.5	0.6	0.7	0.8
Vitesse Chauffage	Prise 1	88	108	132	161	190	208	234	248
	Prise 2	174	212	237	269	304	328	370	385
	Prise 3	232	282	314	341	374	410	343	473
	Prise 4	332	365	409	438	480	520	546	576
Vitesse Refroidissement	Prise 1	88	108	132	161	190	208	234	248
	Prise 2	174	212	237	269	304	328	370	386
	Prise 3	232	282	314	341	374	410	434	473
	Prise 4	332	365	409	438	480	520	546	576

AU RÉGLAGE « NORMAL » (cavalier « Ajuster » au réglage « NORMAL »)									
Positions de vitesse du cavalier		Puissance du moteur à diverses pressions statiques externes - Pouces d'eau							
		0.1	0.2	0.3	0.4	0.5	0.6	0.7	0.8
Vitesse Chauffage	Prise 1	70	89	113	137	155	188	199	233
	Prise 2	145	168	201	221	258	279	316	348
	Prise 3	200	223	265	293	316	359	374	403
	Prise 4	259	291	309	251	390	429	447	488
Vitesse Refroidissement	Prise 1	70	89	113	137	155	188	199	233
	Prise 2	145	168	201	221	258	279	316	348
	Prise 3	200	223	265	293	316	359	374	403
	Prise 4	259	291	309	351	390	429	447	488

AU RÉGLAGE « - » (Moins) (cavalier « Ajuster » au réglage « 1 »)									
Positions de vitesse du cavalier		Puissance du moteur à diverses pressions statiques externes - Pouces d'eau							
		0.1	0.2	0.3	0.4	0.5	0.6	0.7	0.8
Vitesse Chauffage	Prise 1	50	78	97	119	144	163	185	199
	Prise 2	105	130	156	177	212	239	264	280
	Prise 3	144	167	197	224	255	281	316	340
	Prise 4	191	229	253	283	310	339	366	398
Vitesse Refroidissement	Prise 1	50	78	97	119	144	163	185	199
	Prise 2	105	130	156	177	212	239	264	280
	Prise 3	144	167	197	224	255	281	316	340
	Prise 4	191	229	253	283	310	339	366	398

SOUFFLANTE

RENDEMENT DE LA SOUFFLANTE NAM42V2								
0 à 0,80 po d'eau Plage de la pression statique extérieure								
Réglage du cavalier « AJUSTER »	Positions De Vitesse Du Cavalier							
	Vitesse « CHAUFFAGE »				Vitesse « REFROIDISSEMENT »			
	1 cfm	2 cfm	3 cfm	4 cfm	1 cfm	2 cfm	3 cfm	4 cfm
+	1100	1320	1540	1760	1100	1320	1540	1760
NORM	1000	1200	1400	1600	1000	1200	1400	1600
-	900	1080	1260	1440	900	1080	1260	1440

REMARQUES - L'effet de la pression statique, de la résistance du filtre et du réchauffeur électrique est inclus dans les volumes d'air indiqués. Le volume d'air de refroidissement du premier étage correspond à 70 % du réglage de la vitesse COOL. La vitesse continue du ventilateur est d'environ 28 %, 38 %, 70 % et 100 % (sélectionnable par cavalier) de la même vitesse de REFROIDISSEMENT de deuxième étage sélectionnée, minimum 250 cfm. Applications du système de zonage - la vitesse minimale du ventilateur est de 250 cfm.

PUISSANCE DE LA SOUFFLANTE NAM42V2									
AU RÉGLAGE « + » (Plus) (cavalier « Ajuster » au réglage « + »)									
Positions de vitesse du cavalier		Puissance du moteur à diverses pressions statiques externes - Pouces d'eau							
		0.1	0.2	0.3	0.4	0.5	0.6	0.7	0.8
Vitesse Chauffage	Prise 1	121	154	177	199	233	252	283	315
	Prise 2	189	221	247	282	310	344	370	403
	Prise 3	283	312	341	382	422	454	481	515
	Prise 4	407	446	488	528	567	583	646	671
Vitesse Refroidissement	Prise 1	121	154	177	199	233	252	283	315
	Prise 2	189	221	247	282	310	344	370	403
	Prise 3	283	312	341	382	422	454	481	515
	Prise 4	407	446	488	528	567	583	646	671

AU RÉGLAGE « NORMAL » (cavalier « Ajuster » au réglage « NORMAL »)									
Positions de vitesse du cavalier		Puissance du moteur à diverses pressions statiques externes - Pouces d'eau							
		0.1	0.2	0.3	0.4	0.5	0.6	0.7	0.8
Vitesse Chauffage	Prise 1	104	134	153	184	207	236	257	286
	Prise 2	142	171	203	234	253	298	327	351
	Prise 3	212	240	269	308	337	371	408	429
	Prise 4	309	341	367	406	441	476	516	559
Vitesse Refroidissement	Prise 1	104	134	153	184	207	236	257	286
	Prise 2	142	171	203	234	253	298	327	351
	Prise 3	212	240	269	308	337	371	408	429
	Prise 4	309	341	367	406	441	476	516	559

AU RÉGLAGE « - » (Moins) (cavalier « Ajuster » au réglage « 1 »)									
Positions de vitesse du cavalier		Puissance du moteur à diverses pressions statiques externes - Pouces d'eau							
		0.1	0.2	0.3	0.4	0.5	0.6	0.7	0.8
Vitesse Chauffage	Prise 1	78	104	126	155	175	199	209	247
	Prise 2	115	139	168	196	218	247	274	309
	Prise 3	165	192	220	247	290	316	360	376
	Prise 4	237	269	301	327	356	407	430	481
Vitesse Refroidissement	Prise 1	78	104	126	155	175	199	209	247
	Prise 2	115	139	168	196	218	247	274	309
	Prise 3	165	192	220	247	290	316	360	376
	Prise 4	237	269	301	327	356	407	430	481

SOUFFLANTE

RENDEMENT DE LA SOUFFLANTE NAM48V2								
0 à 0,80 po d'eau Plage de la pression statique extérieure								
Réglage du cavalier « AJUSTER »	Positions De Vitesse Du Cavalier							
	Vitesse « CHAUFFAGE »				Vitesse « REFROIDISSEMENT »			
	1 cfm	2 cfm	3 cfm	4 cfm	1 cfm	2 cfm	3 cfm	4 cfm
+	1670	1870	2100	2200	1670	1870	2100	2200
NORM	1460	1670	1870	2100	1460	1670	1870	2100
-	1230	1410	1600	1800	1230	1410	1600	1800

NOTES - The effect of static pressure, filter and electric heater resistance is included in the air volumes listed. First stage cooling air volume is 70% of COOL speed setting. Continuous fan speed is approximately 28%, 38%, 70% and 100% (Jumper selectable) of the same second-stage COOL speed selected, minimum 250 cfm. Zoning System applications - minimum blower speed is 250 cfm.

PUISSANCE DE LA SOUFFLANTE NAM48V2									
AU RÉGLAGE « + » (Plus) (cavalier « Ajuster » au réglage « + »)									
Positions de vitesse du cavalier		Puissance du moteur à diverses pressions statiques externes - Pouces d'eau							
		0.1	0.2	0.3	0.4	0.5	0.6	0.7	0.8
Vitesse Chauffage	Tap 1	335	374	399	436	495	518	572	611
	Tap 2	459	502	537	586	644	689	724	759
	Tap 3	668	738	778	845	881	957	996	1019
	Tap 4	808	865	922	975	1003	1025	1017	987
Vitesse Refroidissement	Tap 1	335	374	399	463	495	518	572	611
	Tap 2	459	502	537	586	644	689	724	759
	Tap 3	668	738	778	845	881	957	996	1019
	Tap 4	808	865	922	975	1003	1025	1017	987

AU RÉGLAGE « NORMAL » (cavalier « Ajuster » au réglage « NORMAL »)									
Positions de vitesse du cavalier		Puissance du moteur à diverses pressions statiques externes - Pouces d'eau							
		0.1	0.2	0.3	0.4	0.5	0.6	0.7	0.8
Vitesse Chauffage	Tap 1	225	264	289	336	358	396	432	464
	Tap 2	320	374	398	434	484	523	558	610
	Tap 3	451	489	529	583	619	682	721	768
	Tap 4	643	699	731	795	848	919	966	998
Vitesse Refroidissement	Tap 1	225	264	289	336	358	396	432	464
	Tap 2	320	374	398	434	484	523	558	610
	Tap 3	451	489	529	583	619	682	721	768
	Tap 4	643	699	731	795	848	919	966	998

AU RÉGLAGE « - » (Moins) (cavalier « Ajuster » au réglage « 1 »)									
Positions de vitesse du cavalier		Puissance du moteur à diverses pressions statiques externes - Pouces d'eau							
		0.1	0.2	0.3	0.4	0.5	0.6	0.7	0.8
Vitesse Chauffage	Tap 1	146	178	207	227	265	299	317	359
	Tap 2	207	243	272	305	345	371	419	438
	Tap 3	290	347	383	412	447	486	525	548
	Tap 4	410	440	491	528	572	613	651	694
Vitesse Refroidissement	Tap 1	146	178	207	227	265	299	317	359
	Tap 2	207	243	272	305	345	371	419	438
	Tap 3	290	347	383	412	447	486	525	548
	Tap 4	410	440	491	528	572	613	651	694

SOUFFLANTE

RENDEMENT DE LA SOUFFLANTE NAM60V2								
0 à 0,80 po d'eau Plage de la pression statique extérieure								
Réglage du cavalier « AJUSTER »	Positions De Vitesse Du Cavalier							
	Vitesse « CHAUFFAGE »				Vitesse « REFROIDISSEMENT »			
	1 cfm	2 cfm	3 cfm	4 cfm	1 cfm	2 cfm	3 cfm	4 cfm
+	1695	1890	2140	2210	1695	1890	2140	2210
NORM	1525	1680	1850	2075	1525	1680	1850	2075
-	1300	1450	1630	1800	1300	1450	1630	1800

NOTES - The effect of static pressure, filter and electric heater resistance is included in the air volumes listed. First stage cooling air volume is 70% of COOL speed setting. Continuous fan speed is approximately 28%, 38%, 70% and 100% (Jumper selectable) of the same second-stage COOL speed selected, minimum 250 cfm. Zoning System applications - minimum blower speed is 250 cfm.

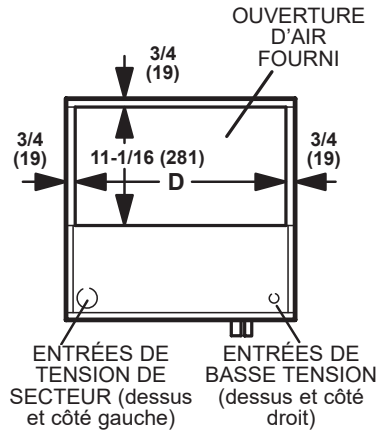
PUISSANCE DE LA SOUFFLANTE NAM60V2									
AU RÉGLAGE « + » (Plus) (cavalier « Ajuster » au réglage « + »)									
Positions de vitesse du cavalier		Puissance du moteur à diverses pressions statiques externes - Pouces d'eau							
		0.1	0.2	0.3	0.4	0.5	0.6	0.7	0.8
Vitesse Chauffage	Tap 1	334	368	412	449	491	532	557	603
	Tap 2	462	511	549	601	640	681	720	762
	Tap 3	670	710	765	820	868	921	963	1005
	Tap 4	757	810	853	909	961	1001	1034	1026
Vitesse Refroidissement	Tap 1	334	368	412	449	491	532	557	603
	Tap 2	462	511	549	601	640	681	720	762
	Tap 3	670	710	765	820	868	921	963	1005
	Tap 4	757	810	853	909	961	1001	1034	1026

AU RÉGLAGE « NORMAL » (cavalier « Ajuster » au réglage « NORMAL »)									
Positions de vitesse du cavalier		Puissance du moteur à diverses pressions statiques externes - Pouces d'eau							
		0.1	0.2	0.3	0.4	0.5	0.6	0.7	0.8
Vitesse Chauffage	Tap 1	245	285	319	350	398	425	462	497
	Tap 2	330	368	414	443	469	505	558	600
	Tap 3	442	497	515	554	603	643	685	735
	Tap 4	600	653	701	752	798	842	889	935
Vitesse Refroidissement	Tap 1	245	285	319	350	398	425	462	497
	Tap 2	330	368	414	443	469	505	558	600
	Tap 3	442	497	515	554	603	643	685	735
	Tap 4	600	653	701	752	798	842	889	935

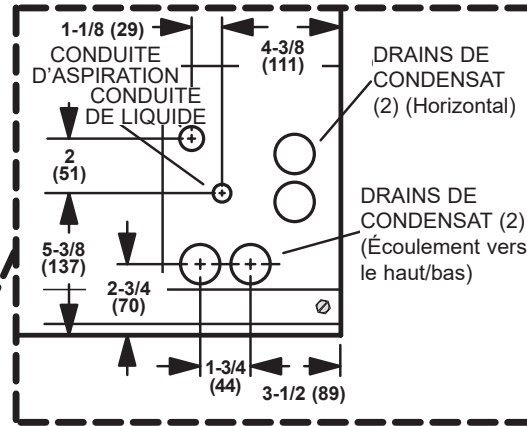
AU RÉGLAGE « - » (Moins) (cavalier « Ajuster » au réglage « 1 »)									
Positions de vitesse du cavalier		Puissance du moteur à diverses pressions statiques externes - Pouces d'eau							
		0.1	0.2	0.3	0.4	0.5	0.6	0.7	0.8
Vitesse Chauffage	Tap 1	181	204	235	261	304	332	357	383
	Tap 2	218	259	283	315	357	390	422	457
	Tap 3	300	333	365	395	443	476	527	559
	Tap 4	400	430	470	515	543	592	639	678
Vitesse Refroidissement	Tap 1	181	204	235	261	304	332	357	383
	Tap 2	218	259	283	315	357	390	422	457
	Tap 3	300	333	365	395	443	476	527	559
	Tap 4	400	430	470	515	543	592	639	678

DIMENSIONS DE L'UNITÉ - PO (MM)

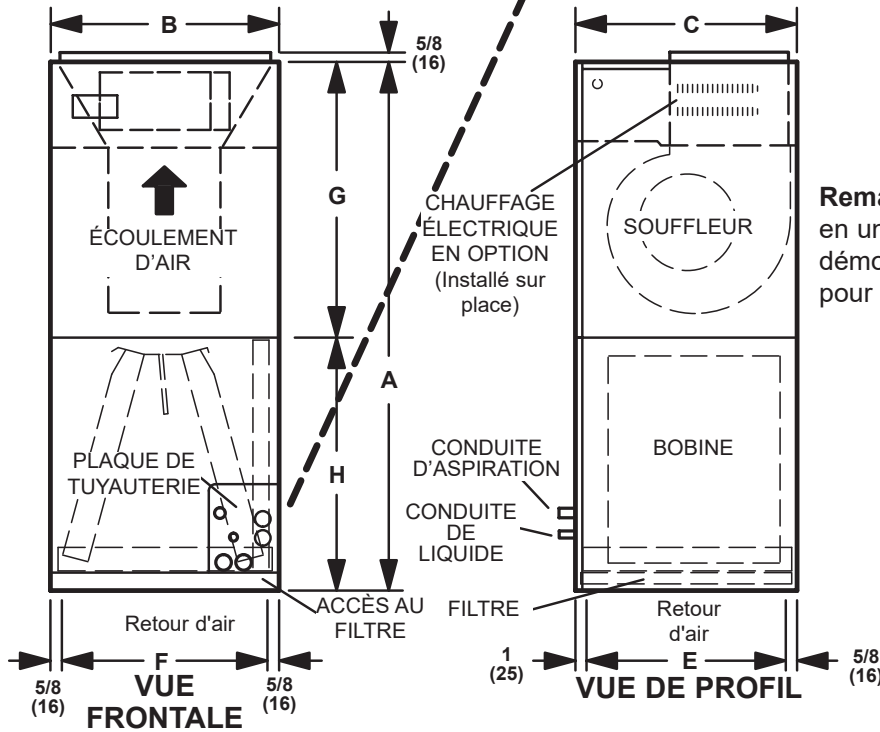
POSITION D'ÉCOULEMENT



DÉTAILS DE LA PLAQUE DE TUYAUTERIE



VUE DE DESSUS



Remarque - Les unités sont expédiées en une seule pièce, mais peuvent être démontées en deux pièces séparées pour faciliter l'installation

Dimension	24		30		36		42/48		60	
	in.	mm	in.	mm	in.	mm	in.	mm	in.	mm
A	49.25	1251	51	1295	51	1295	58.5	1486	62.5	1588
B	21.25	540	21.25	540	21.25	540	21.25	540	21.25	540
C	20.63	524	22.625	575	22.625	575	24.625	625	24.625	625
D	19.75	502	19.75	502	19.75	502	19.75	502	19.75	502
E	19	483	21	533	21	533	23	584	23	584
F	20	508	20	508	20	508	20	508	20	508
G	24.625	625	26.375	670	26.375	670	27.875	708	27.875	708
H	24.625	625	24.625	625	24.625	625	30.625	778	34.625	879

Toutes les spécifications et illustrations sont sujettes à modification sans préavis et sans obligations.



GE APPLIANCES
a Haier company

Toutes les spécifications et illustrations
sont sujettes à modification sans préavis
et sans obligation.

Imprimé aux États-Unis