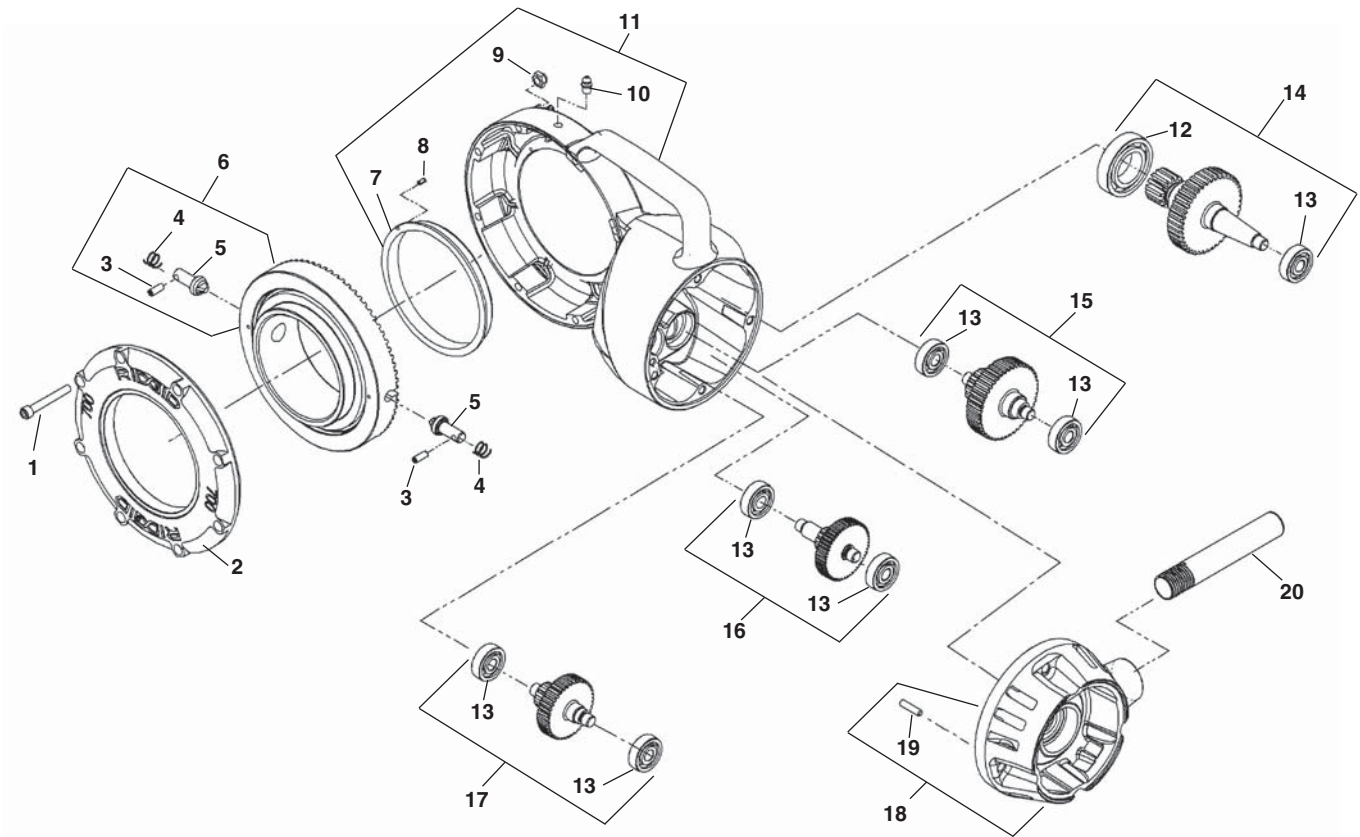


### Gearhead Components

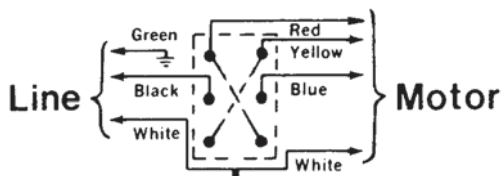


**NOTE: Order parts by Catalog Number only.  
DO NOT order by Reference Number.**

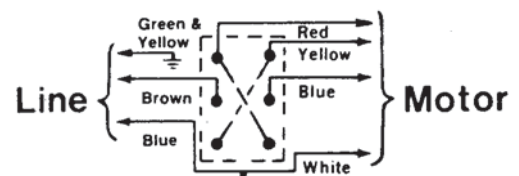
Ref. No.	Catalog No.	Description	Ref. No.	Catalog No.	Description
1	46775	Screw (8)	12	76522	Bearing
2	43345	Cover	13	45060	Bearing (7)
3	32475	Spring Pin (2)	14	44900	4th Gear Assembly
4	44915	Spring (2)	15	44830	3rd Gear Assembly
5	44910	Adapter Pawl (2)	16	44820	1st Gear Assembly
6	43395	Face Gear Assembly	17	44825	2nd Gear Assembly
7	44060	Bearing	18	45165	Dowel Pin
8	89085	Roll Pin 1/8" x 1/4"	19	43335	Fan Housing Assembly
9	83890	Lock Nut (8)	20	46615	Torque Arm
10	46860	Grease Fitting			
11	42970	Gear Case Assembly (Includes Ref. No. 1)			

### Wiring Diagram (115/230V)

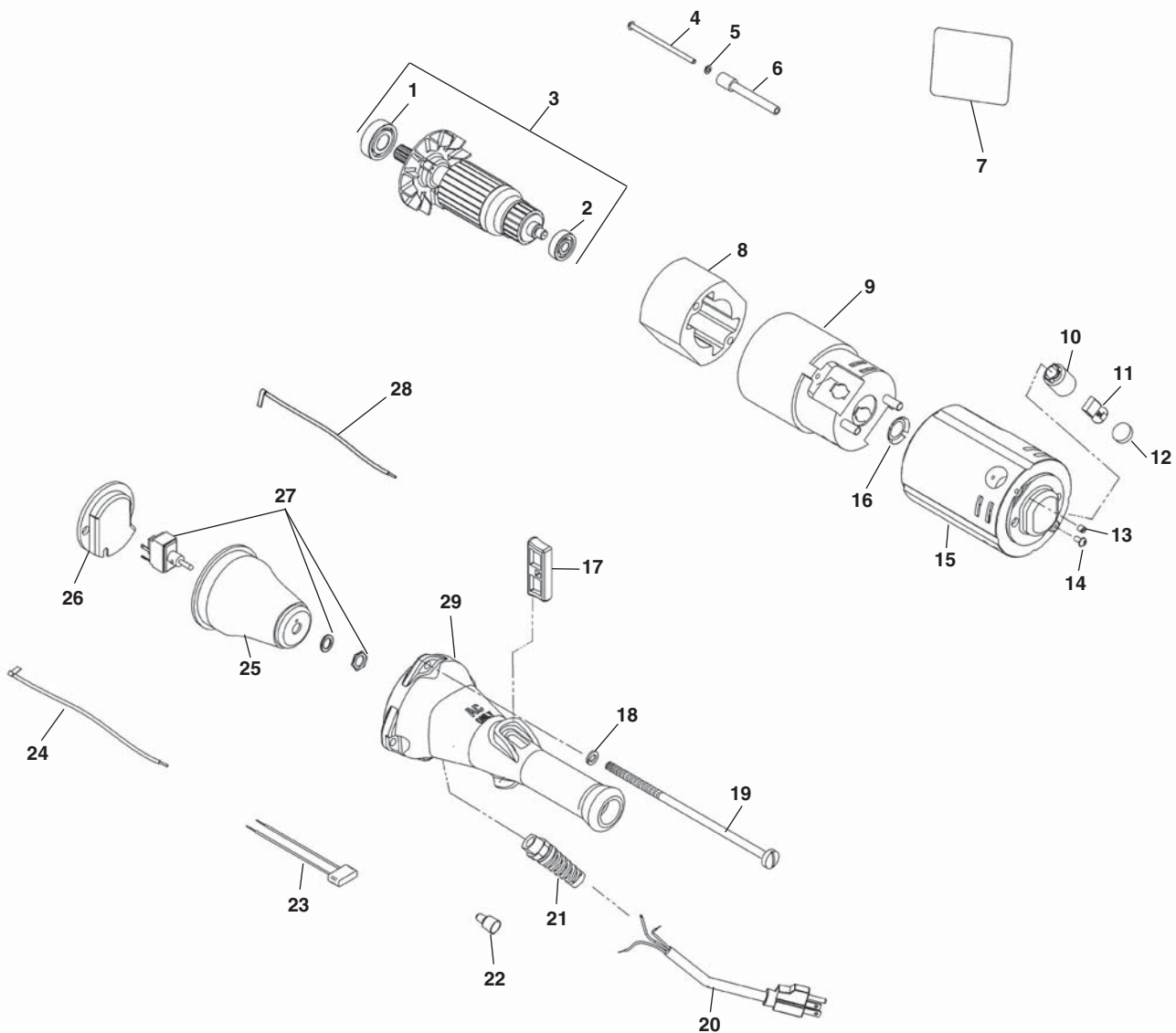
#### Standard Color Code



#### European Color Code



**Electrical Components – Type 2**



**NOTE: Order parts by Catalog Number only.  
DO NOT order by Reference Number.**

Ref. No.	Catalog No.	Description	Ref. No.	Catalog No.	Description
1	44565	Bearing	16	44790	Load Spring
2	44760	Bearing	17	97260	Switch Button
3	44055	Armature Assembly 115V	18	40770	Lock Washer (4)
4	18596	Armature Assembly 230V	19	44785	Tie Bolt (4)
4	18486	Field Mounting Screw (2)	20	31938	Power Cord 115V
5	58542	Lock Washer (2)	20	31943	Power Cord 230V
6	18566	Field Screw Sleeve (2)	21	29788	Cord Retainer
7	27418	Warning Decal	22	44635	Wire Nut
8	27408	Field 115V Type 2	23	18406	Suppressor
8	27413	Field 230V Type 2	24	44880	Brush Lead - Blue
9	18506	Field Insulator Sleeve	25	43390	Switch Insulator
10	44795	Brush Holder (2)	26	27403	Motor Housing Insulator
11	44815	Brush Assembly (2)	27	44905	Switch
12	45660	Brush Cap (2)	28	44885	Brush Lead - White
13	39770	Set Screw (2)	29	27398	Handle Type 2
14	45420	Ground Screw			
15	18676	Motor Housing Assy. (Includes Ref. Nos. 12 and 13)			