

TRIO MAX & MAX H₂O

3-Pass Mid Mass Boiler, With or Without Tankless

PurePro®

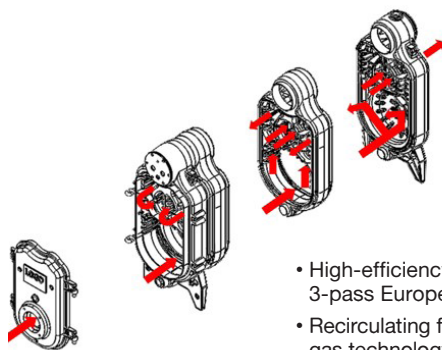


CAST IRON BOILERS

Features

- 3-6 section available DOE Output 123,000-216,000 BTU'S
- 87% Energy Star rated
- 20-Year warranty transferable
- 3-Pass Mid Mass wet base European design with GG20 silicon infused cast iron
- Multi-Fuel Oil, Propane or Natural Gas available; Propane or Natural Gas available on 3 & 4 section boilers
- 1-1/4" supply and return piping
- 3/4" DHW Coil connections
- Can be fired #2 oil up to 20% Bio-Fuel
- Strong box crating
- Full swing door for easy serviceability
- Direct vent capable 3-4 section
- Available with Beckett, Carlin and Riello burners on oil
- DHW Coil enclosed in the burner jacket for clean look installation

The TRIO MAX & MAX H₂O by PurePro® combine high efficiencies, convenient serviceability, built in DHW in the MAX H₂O and Mid Mass European 3-Pass Technology. It is constructed of GG20-rated cast iron for Thermal Shock Protection and durability. The TRIO MAX & MAX H₂O boilers come standard with a Hydrolevel 3250 Hydrostat, which combines Temperature Limit Control, LWCO and Boiler Reset in one easy-to-use control. TRIO Max H₂O is the only residential European 3-Pass boiler with a built-in coil to provide you with ample hot water, heat and longevity.



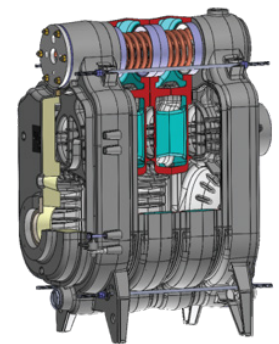
- High-efficiency, 3-pass European design
- Recirculating flue gas technology

MAX
MAX H₂O



Optional Component: Smart Hot Water Cube

Smart Hot Water (SHW) cube allows the user to set their home/away schedule with WiFi Smart Switch, removing the need for the boiler to maintain temperature at all times. This significantly reduces the amount of fuel burned compared to standard tankless coil boilers, which consistently stay hot.

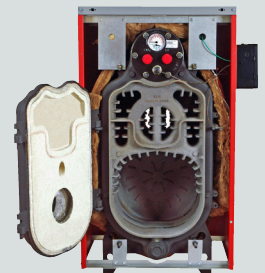


RHW Responsive Hot Water Technology

TRIO MAX H₂O only

Technology built into the HydroStat recognizes a fast drop in boiler temperature when no heat call exists; responds by firing the boiler prior to reaching the low limit to provide MAX hot water production.

This removes the normal delay in tankless coil boilers providing hot water via a standard triple aquastat.



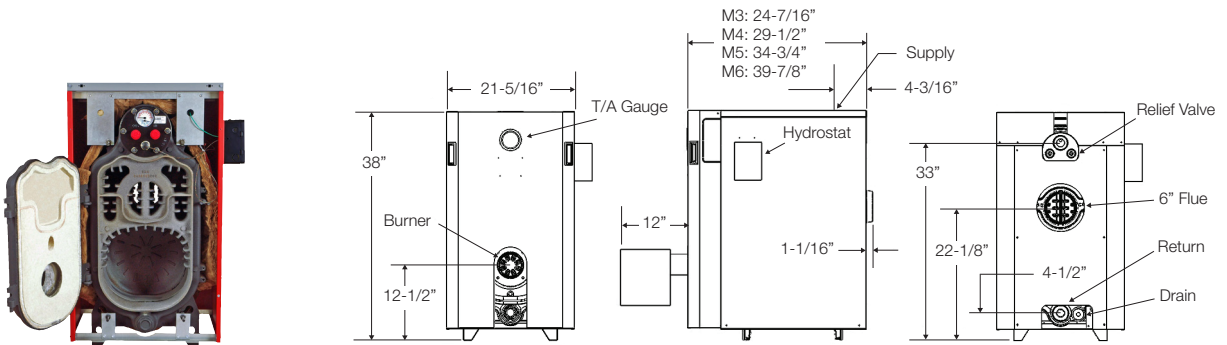
Specifications

PurePro Boiler Model#	Firing Rate (#2 Fuel)	PurePro Burner Model #	Burner	Nozzle	Input (BTU/hr)	DOE Capacity (BTU/hr)	Net IBR (BTU/hr)	AFUE Rating	Tankless Coil Cap. GPM	Water Capacity	Approx. Shipping Weight
PROM3(T)	1.0	PRO707765	Beckett AFG	.85-60B	140,000	123,000	107,000	87.1	3.5 GPM	11.3	420/440 lbs.
	1.15	PRO707766	Beckett AFG	.90-60B	161,000	140,000	122,000	86.3	4.0 GPM		
	1.0	PRO707769	Carlin Select	.85-70B	140,000	123,000	107,000	87.1	3.5 GPM		
	1.15	PRO707769	Carlin Select	.90-70B	161,000	140,000	122,000	86.3	4.0 GPM		
	1.0	PRO708860	Carlin DV	.85-70B	140,000	123,000	107,000	87.1	3.5 GPM		
	1.15	PRO708860	Carlin DV	.90-70B	161,000	140,000	122,000	86.3	4.0 GPM		
	1.0	PRO707760	Riello F5	.75-60W	140,000	123,000	107,000	87.1	3.5 GPM		
	1.15	PRO707760	Riello F5	.85-60W	161,000	140,000	122,000	86.3	4.0 GPM		
	1.0	PRO707764	Riello BF5 DV	.75-60W	140,000	123,000	107,000	87.1	3.5 GPM		
	1.15	PRO707764	Riello BF5 DV	.85-60W	161,000	140,000	122,000	86.3	4.0 GPM		
PROM4(T)	1.25	PRO707766	Beckett AFG	1.00-60W	175,000	154,000	134,000	87.1	4.4 GPM	14.2	510/530 lbs.
	1.4	PRO707766	Beckett AFG	1.10-60B	196,000	171,000	149,000	86.5	4.9GPM		
	1.25	PRO707770	Carlin Select	1.00-70B	175,000	154,000	134,000	87.1	4.4 GPM		
	1.4	PRO707770	Carlin Select	1.10-70B	196,000	171,000	149,000	86.5	4.9 GPM		
	1.25	PRO708860	Carlin DV	1.00-70B	175,000	154,000	134,000	87.1	4.4 GPM		
	1.25	PRO707761	Riello F5	1.00-60W	175,000	154,000	134,000	87.1	4.4 GPM		
	1.4	PRO707761	Riello F5	1.10-60W	196,000	171,000	149,000	86.5	4.9 GPM		
PROM5(T)	1.5	707767	Beckett CF375	1.25-60B	210,000	185,000	161,000	87.2	5.3 GPM	17	600/620 lbs.
	1.7	707767	Beckett CF375	1.35-60B	238,000	208,000	181,000	86.5	5.9 GPM		
	1.5	PRO707771	Carlin Select	1.25-60B	210,000	185,000	161,000	87.2	5.3 GPM		
	1.7	PRO707771	Carlin Select	1.35-60B	238,000	208,000	181,000	86.5	5.9 GPM		
	1.5	PRO707762	Riello F5	1.25-60W	210,000	185,000	161,000	87.2	5.3 GPM		
	1.7	PRO707763	Riello F10	1.35-45B	238,000	208,000	181,000	86.5	5.9 GPM		
PROM6(T)	1.75	707767	Beckett CF375	1.50-60B	245,000	216,000	188,000	87.3	6.2 GPM	19.8	690/710 lbs.
	1.75	PRO707771	Carlin Select	1.50-45B	245,000	216,000	188,000	87.3	6.2 GPM		
	1.75	PRO707763	Riello F10	1.50-45B	245,000	216,000	188,000	87.3	6.2 GPM		

Additional information to be added as it becomes available from AHRI.



*Direct Vent Only:
Models M3 and M4
**Energy Star rated



OPTIONAL PUREPRO ENERGY MANAGER: Part #'s: PRO6000Z / PRO6000C



OPTIONAL COMPONENTS:

PurePro offers a complete line of 41- and 80- gallon indirect-fired water heaters to complement the TRIO boiler. Ask about the Plug 'n Go PLUS, the only pre-piped, pre-wired, packaged indirect water heaters in the industry!

SYSTEM CIRCULATOR PACKAGE – Part # PRO707630

- For zone valve operation only
- Taco 007, includes flanges
- 9' long whip with Quick Connect feature when used with TRIO Energy Manager PRO 6000

3+1 EZ ZONE PAK – Part # PRO707640

5+1 EZ ZONE PAK – Part # PRO707650

Boiler Header System with 3 pre-installed zone valve bodies and an additional high flow port for an indirect water heater.

