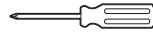


# INSTALLATION



## Tools:

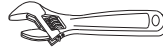
Philips Screwdriver



Silicone sealant



Adjustable wrench



Hex wrench



Pliers



Pipe tape



## Cleaning:

To maintain and protect the fine luster of all products, clean with a soft damp cloth only. **DO NOT USE** harsh chemicals or cleaners as they may harm the protective finish.

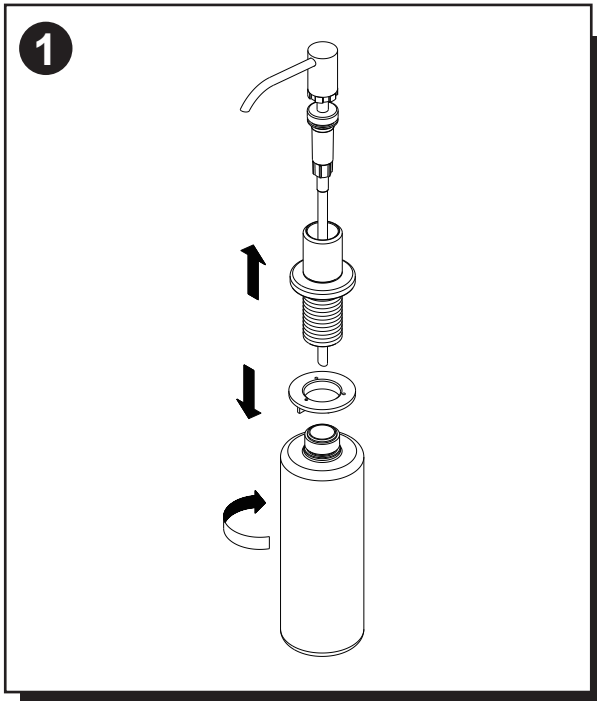
PRO100 and PRO100BN  
Available in Polished Chrome and Brushed Nickel.

## Warning and Notes:

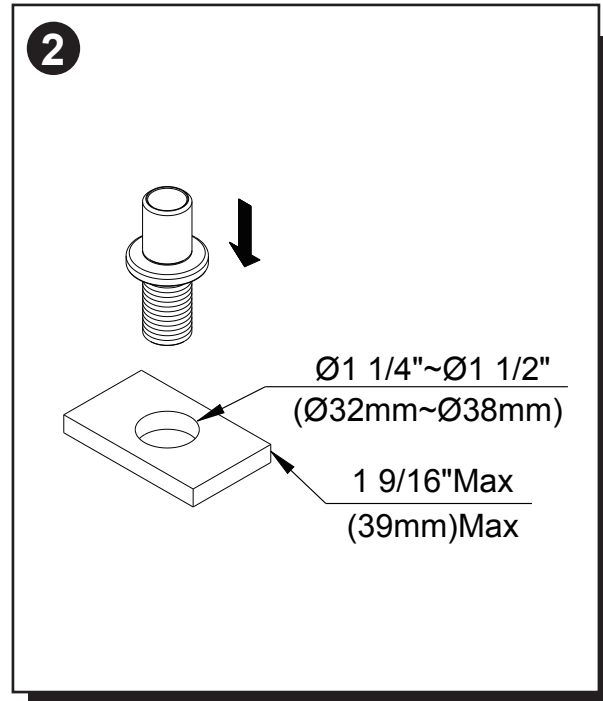
This product is used to illustrate installation.

## Installation Steps:

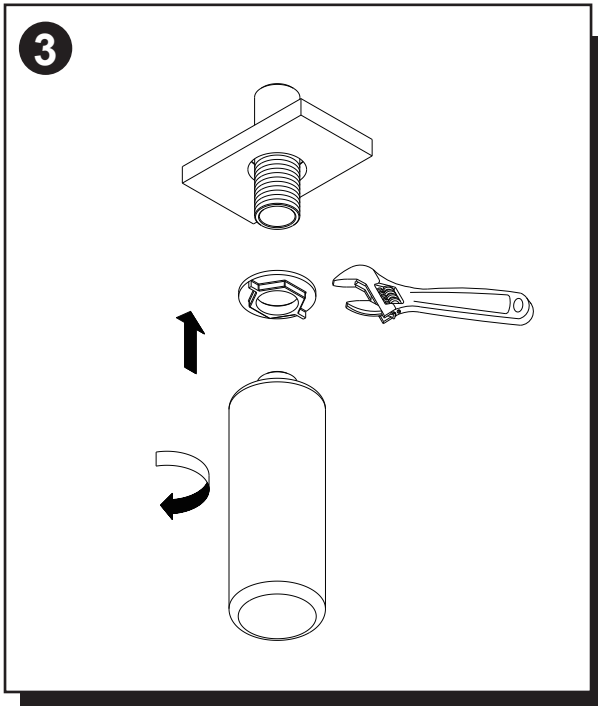
### Soap Dispenser



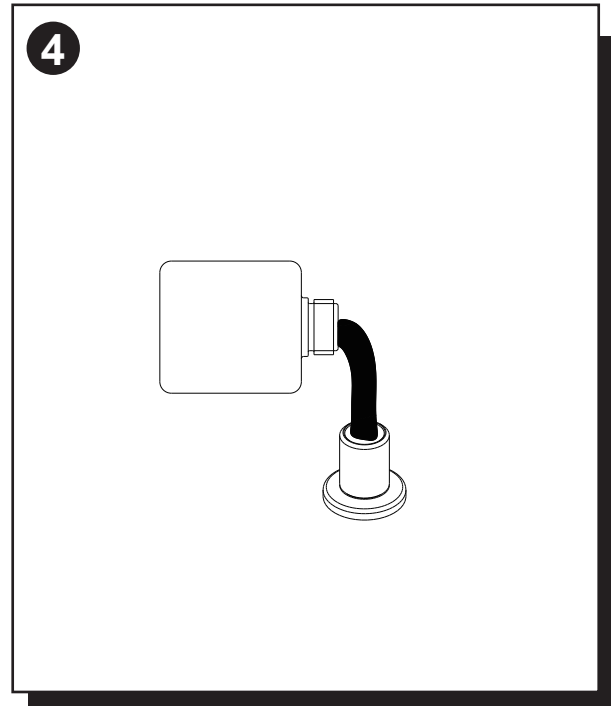
Remove the dispensing head assembly, washer and nut from soap dispenser sleeve.



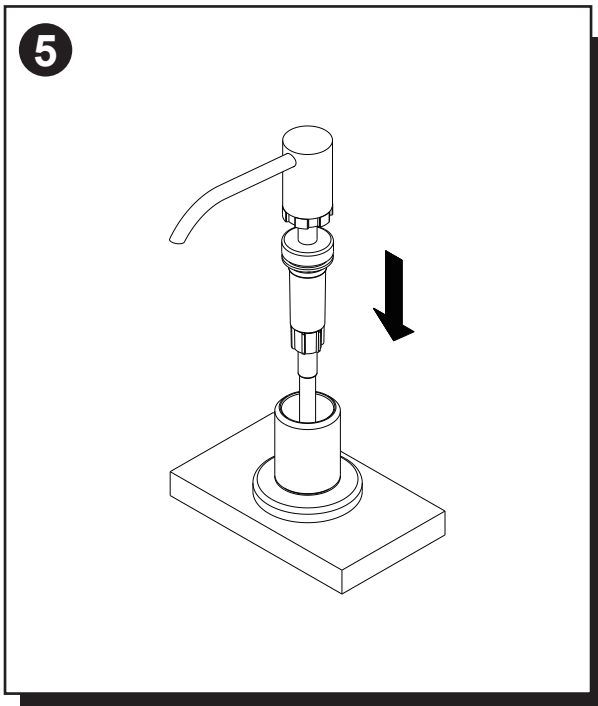
Insert soap dispenser sleeve through sink hole and secure with washer and nut.



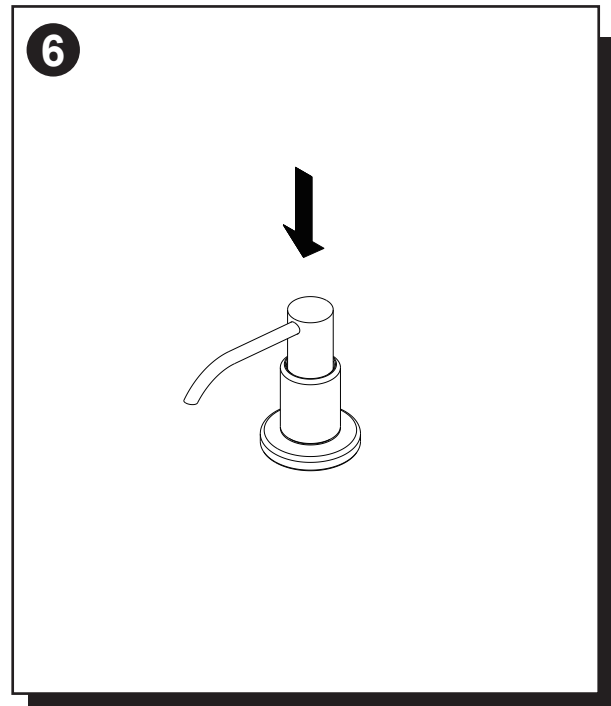
Screw soap bottle into soap dispenser sleeve, tighten by Adjustable wrench.



Pour in liquid soap ( or hand lotion).



Put the pump nozzle and plastic pump into sleeve.



Pump dispensing head several times until soap/lotion comes out freely.