

Part #:
PRO1200-12 and PRO1200BN-12

Traditional Single Handle Lavatory Faucet

Features

- Metal Lever Handle
- Ceramic Disc Cartridge
- 9/16"-24UNEF Inlet
- Brass Pop-Up Drain
- Optional Lift Rod Plug Included
- Optional Deck Plate Included
- Single or three hole installation
- 1/2" 14 NSPM Inlet
- Limited Lifetime Warranty
- 100% Factory Pressure Tested

Performance

- Max 1.2 gpm (4.5 L/min) at 60 psi

Compliance Certifications

- ASME A112.18.1/CSA B125.1
- IAPMO/cUPC
- NSF/ANSI/CAN 61-9: Q ≤ 1
- NSF/ANSI/CAN 372
- ADA Compliant
- IAPMO Green
- EPA WaterSense

NSF/ANSI/CAN 372
 NSF/ANSI/CAN 61-9: Q ≤ 1



GREEN
 Water Efficiency

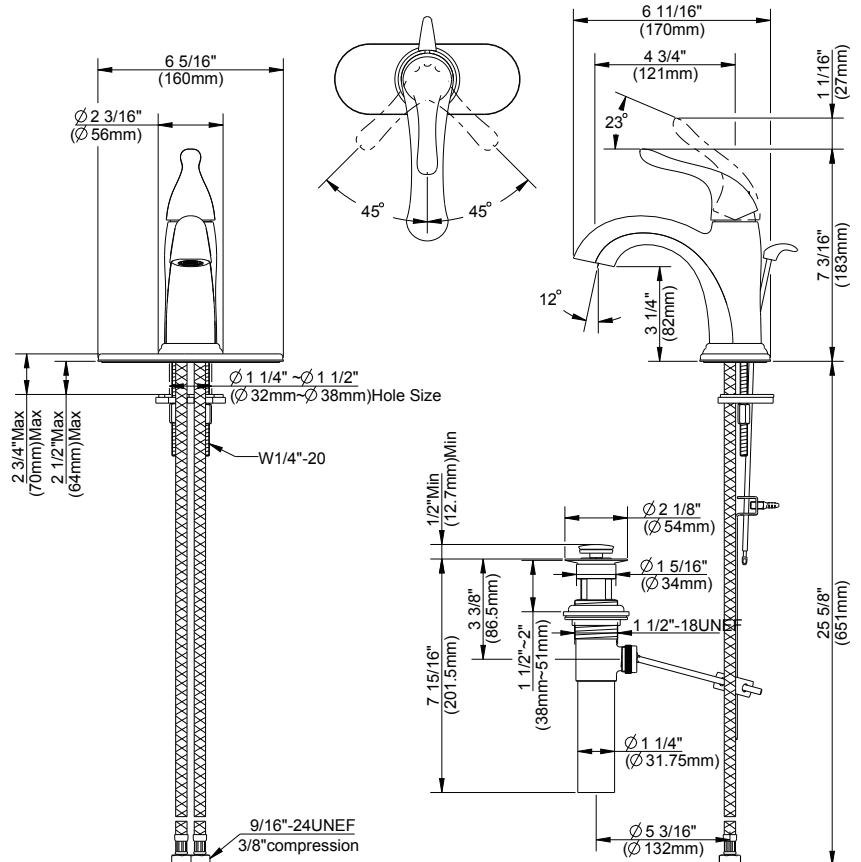


Available Finishes

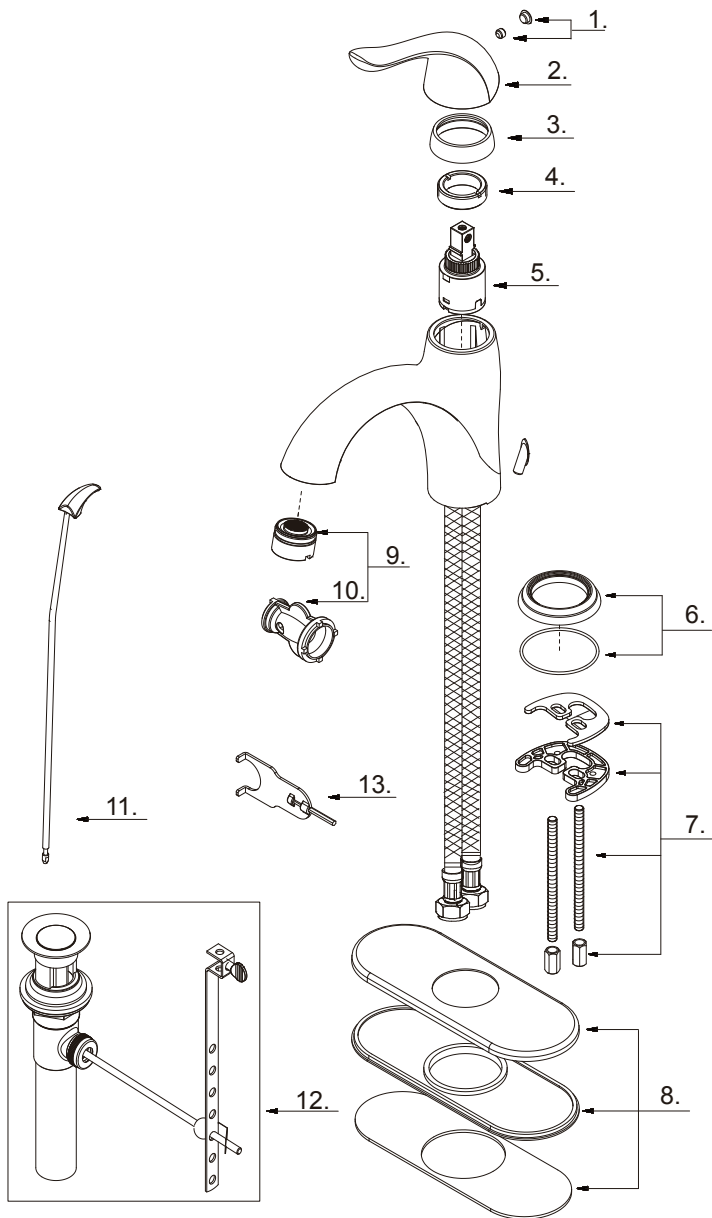
No Suffix = Polished Chrome
 BN = Brushed Nickel



Product Specification Diagram



Exploded Drawing



| No | Part Name | Part No |
|----|----------------------------|-------------|
| 1 | Index Button | A66D558 |
| 2 | Metal Handle | A069215* |
| 3 | Trim Cap | A103005* |
| 4 | Locking Nut | A104322 |
| 5 | Ceramic Disc Cartridge | A507906N |
| 6 | Base Trim Ring | A66F537* |
| 7 | Mounting Hardware Assembly | A603106 |
| 8 | Deck Plate Assembly | A66F594* |
| 9 | Aerator 1.2 gpm | A66D658N*-T |
| 10 | Wrench | A031245 |
| 11 | Lift Rod | A025166* |
| 12 | Pop-up Assembly | A556200* |
| 13 | Wrench | A031022NI |

*If replacement is ever required, must indicate finish.