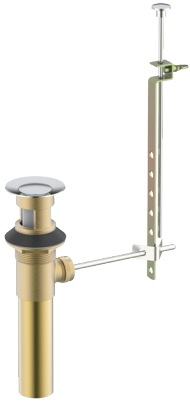
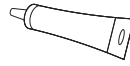


# INSTALLATION



## Tools:

Silicone sealant



## Cleaning:

To maintain and protect the fine luster of all products, clean with a soft damp cloth only. **DO NOT USE** harsh chemicals or cleaners as they may harm the protective finish.

PRO18GPU and PRO18GPUBN  
Available in Polished Chrome and Brushed Nickel.

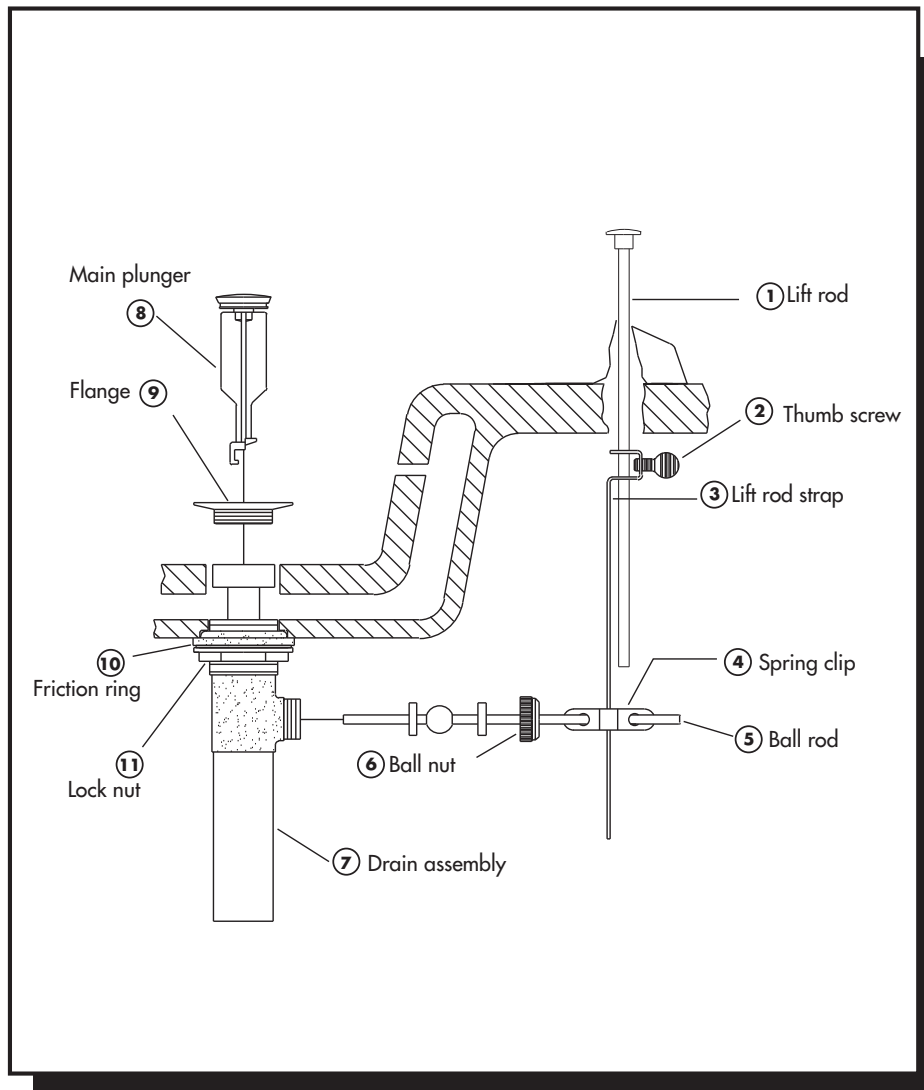
## Warning and Notes:

This product is used to illustrate installation.

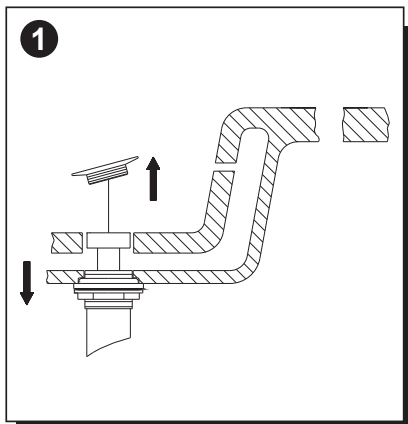
## Installation Steps:

### Pop-Up Drain With Lift Rod

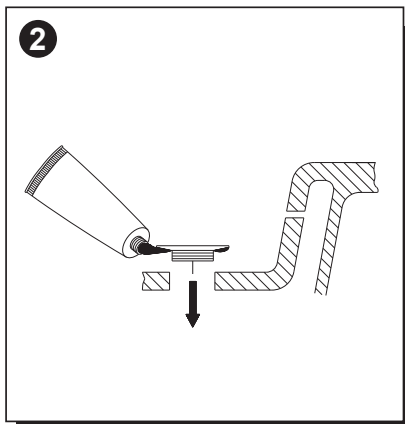
Be sure to leave enough room between knob and faucet when rod is at down position.



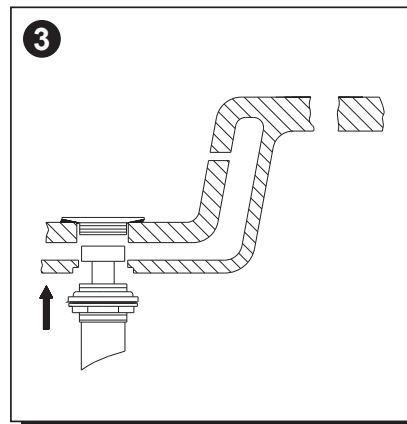
## Pop-up Drain Installation



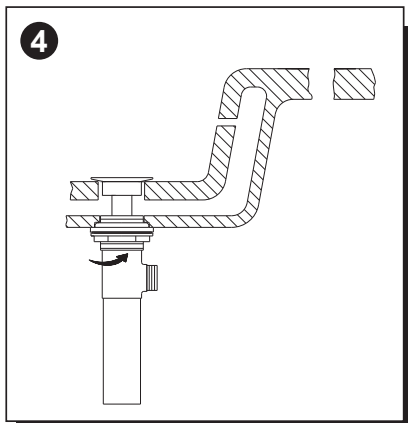
1. Remove old pop-up drain assembly, if necessary.



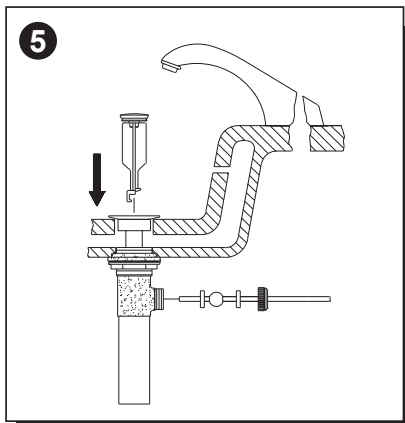
2. Place a ring of silicone sealant around drain opening of sink.



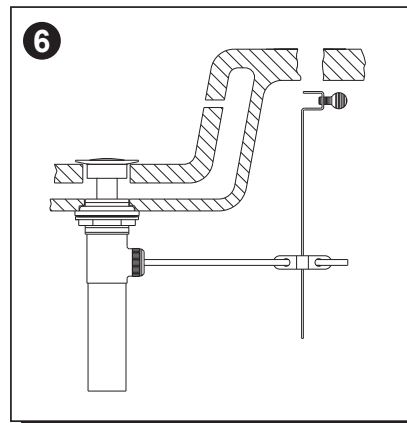
3. Insert threaded end of drain body up through drain hole and attach flange to body.



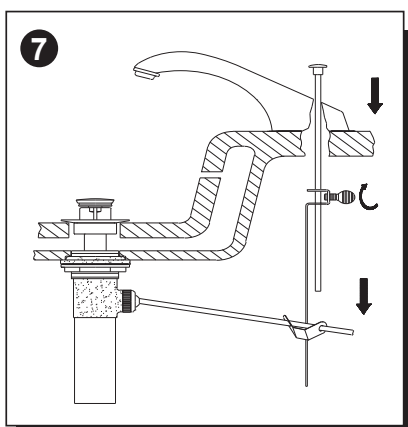
4. Thread lock nut from underside of sink until rubber washer sits securely inside opening of sink. Tighten lock nut.



5. Insert main plunger into drain. Insert ball rod into rod port and into hole at bottom of main plunger.



6. Place one end of spring clip on end of ball rod. Pass the tip of the rod through the hole in the lift rod strap and then through the hole on the other end of the spring clip .



7. Insert bottom of lift rod into hole at top of lift rod strap. Tighten with thumb screw.