

Part #:
PRO4620 and PRO4620BN

Transitional Two Handle Widespread Lavatory Faucet

Features

- Metal Lever Handles
- Ceramic Disc Cartridge
- 1/2"-14NPSM Inlet
- 3 Hole 6" - 12" Installation
- Brass Pop-Up Drain
- Limited Lifetime Warranty
- 100% Factory Pressure Tested

Performance

- Max 1.2 gpm (4.5 L/min) at 60 psi

Compliance Certifications

- ASME A112.18.1/CSA B125.1
- IAPMO/cUPC
- NSF/ANSI/CAN 61-9: Q ≤ 1
- NSF/ANSI/CAN 372
- ADA Compliant
- IAPMO Green
- EPA WaterSense

NSF/ANSI/CAN 372
NSF/ANSI/CAN 61-9:Q ≤ 1



GREEN
Water Efficiency

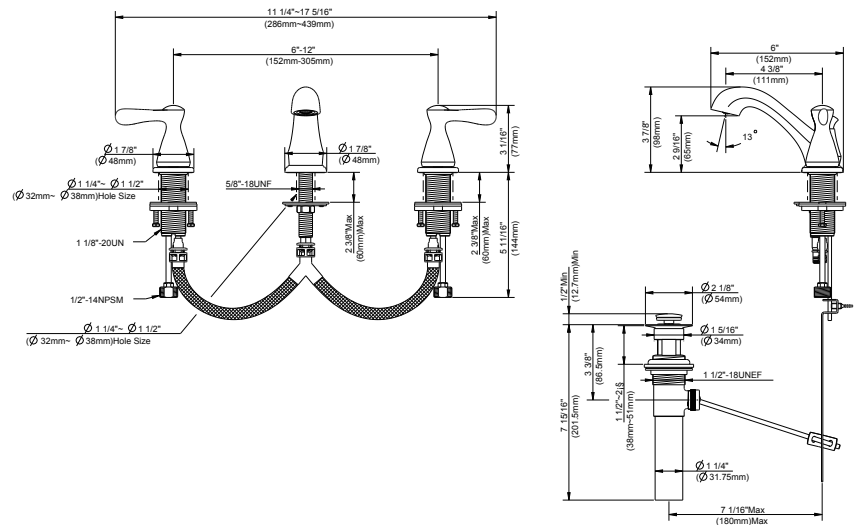


Available Finishes

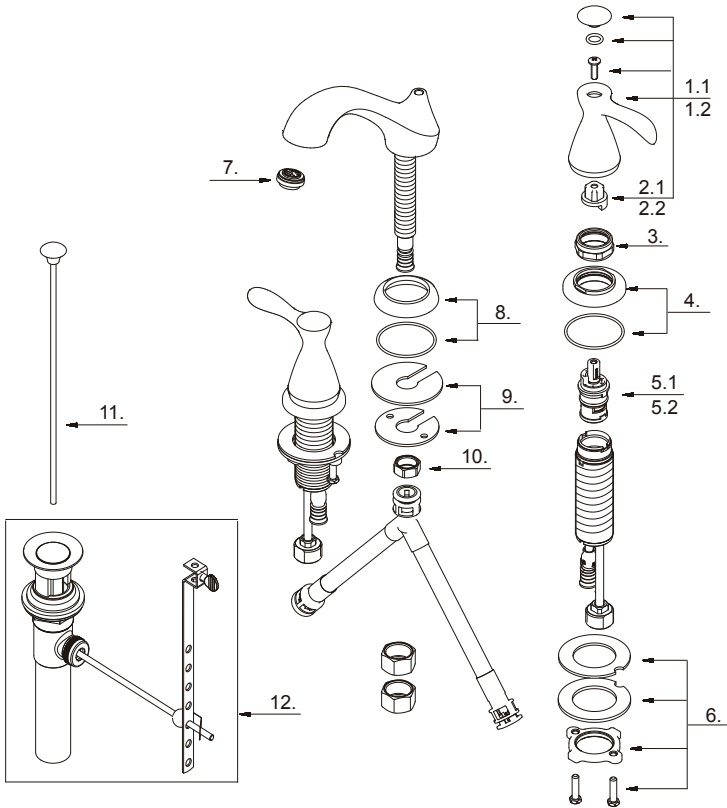
PRO4620 = Polished Chrome
PRO4620BN = Brushed Nickel



Product Specification Diagram



Exploded Drawing



No	Part Name	Part No
1.1	Metal Handle Assembly - Cold	A662A83C*
1.2	Metal Handle Assembly - Hot	A662A83H*
2.1	Handle Adapter - Cold	A110114C
2.2	Handle Adapter - Hot	A110114H
3	Retainer Nut	A016002CP
4	Handle Trim Ring	A66F646*
5.1	Ceramic Disc Cartridge - Hot	A507003N
5.2	Ceramic Disc Cartridge - Cold	A507004N
6	Handle Mounting Hardware Assembly	A66D900ZN-H
7	Aerator 1.2 gpm	A553055N
8	Spout Trim Ring	A66F647*
9	Mounting Spout Hardware	A603233
10	Connecting Hose	A135141N
11	Lift Rod	A025041*
12	Pop-up Assembly	A556200L*

*If replacement is ever required, must indicate finish.