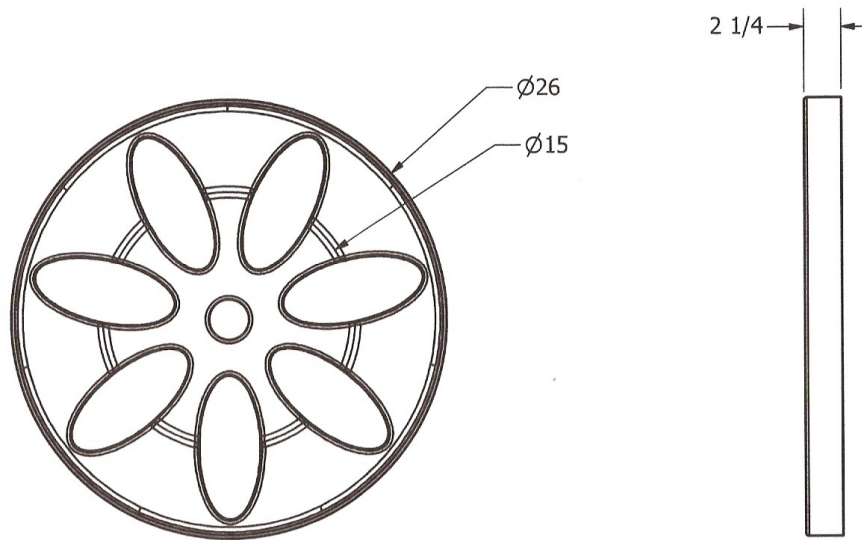




# Plastic base

Base for 420 lb propane cylinder



26" circumference and 2" 1/4 thick

6,5 pounds

Over 1000 lb resistance at - 40 °

