

Lead Free Brass Ball Valve with PRESS Connections



Lead Free Brass Ball Valve with PRESS Connections

The lead free Press ball valves are forged brass that combine reliable operation with maximum economy. Now with multiagency approvals, the PurePro® full port ball valve is ideal for various fluids, drinking water, fire protection, and general plumbing and HVAC applications. Valves are ANSI 3rd party Lead Free* certified.

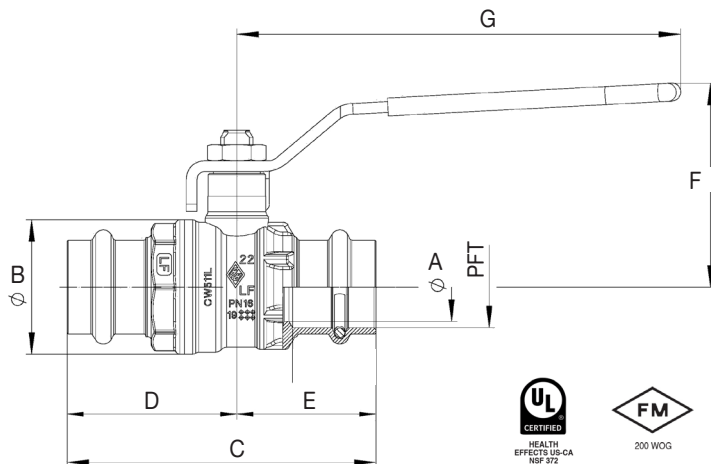
Features:

- Drip Fit O-rings
- 2 piece
- No soldered-in end pieces
- Blow out proof stem, SLT coated LF brass
- Adjustable packing
- Dual O-rings (Viton+NBR)
- P.T.F.E. seats and double O-ring stem packing
- 100% electronically tested in the open and closed position at 80 psi
- Valve to be used in fully open or fully closed position
- Made in lead free dezincification resistant brass (LF-DZR)

Performance rating:

- Valve design rating: Working pressure 200 CWP
- Temperature range: -4°F to 250°F

Specifications										
Webb#	Mfr. #	Size	Dimensions (in.)							Weight (lbs.)
			A	B	C	D	E	F	G	
765848	PRO9322LF-12	1/2"	0.55	1.22	2.93	1.62	1.31	1.77	3.78	0.41
765850	PRO9322LF-34	3/4"	0.75	1.46	3.37	1.85	1.52	2.22	4.84	0.71
765845	PRO9322LF-1	1"	0.94	1.76	3.81	2.11	1.70	2.32	4.84	1.01
765847	PRO9322LF-114	1-1/4"	1.19	2.11	4.17	2.24	1.93	2.85	5.94	1.52
765846	PRO9322LF-112	1-1/2"	1.50	2.64	5.23	2.78	2.45	3.09	5.94	2.56
765849	PRO9322LF-2	2"	1.95	3.39	6.27	3.29	2.98	3.7	6.3	4.39



Size	Insertion Depth
1/2"	0.71"
3/4"	0.91"
1"	0.91"
1-1/4"	1.02"
1-1/2"	1.42"
2"	1.57"



* The wetted surfaces of this product shall contain no more than 0.25% lead by weighted average. Complies with CA AB1953, VT Act 193, MD HB372, LA HB471 and Federal Public Law 111380. ANSI 3rd party approved and listed.

