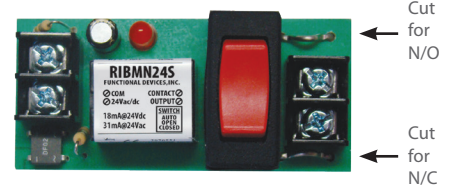
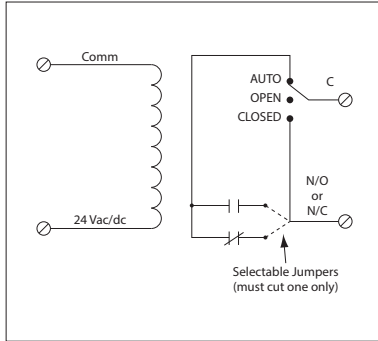




**15 AMP TRACK MOUNT CONTROL RELAY**

**RIBMN24S**

2.75" Track Mount Relay 15 Amp SPST  
 + **Override** with 24 Vac/dc Coil



**SPECIFICATIONS**

**# Relays & Contact Type:** One (1) SPST Continuous Duty Coil  
**Expected Relay Life:** 10 million cycles minimum mechanical  
**Operating Temperature:** -30 to 140° F  
**Humidity Range:** 5 to 95% (noncondensing)  
**Operate Time:** 6ms  
**Relay Status:** LED On = Activated  
**Dimensions:** 1.250" x 2.750" x 1.000" (without track)  
 1.250" x 2.750" x 1.500" (including track)  
**Track Mount:** 2.750"  
**Approvals:** UL Listed, UL916, UL864, C-UL  
 California State Fire Marshal, CE, RoHS  
**Gold Flash:** No  
**Override Switch:** Yes

**Contact Ratings:**  
 15 Amp General Use @ 125 Vac  
 10 Amp General Use @ 277 Vac  
 10 Amp Resistive @ 30 Vdc (N/O)  
 7 Amp Resistive @ 30 Vdc (N/C)  
 1/2 HP @ 125 Vac  
 1 HP @ 250 Vac  
 1/4 HP @ 277 Vac  
 C300 Pilot Duty

**Coil Current:**  
 26 mA @ 20 Vac  
 31 mA @ 24 Vac  
 48 mA @ 35 Vac  
 14 mA @ 20 Vdc  
 18 mA @ 24 Vdc  
 28 mA @ 35 Vdc

**Coil Voltage Input:**  
 24 Vac/dc ; 50-60 Hz  
 Drop Out = 3 Vac / 3.8 Vdc  
 Pull In = 20 Vac / 20 Vdc

**Notes:**  
 • Must cut appropriate jumper to select Normally Open or Normally Closed