

The Ranco® ETC is a microprocessor based family of electronic temperature controls, designed to provide on/off control for commercial heating, cooling, air conditioning and refrigeration. The ETC is equipped with a liquid crystal display (LCD) that provides a constant readout of the sensed temperature, and a touch keypad that allows the user to easily and accurately select the setpoint temperature, differential and heating/cooling mode of the operation. Models are available that operate on either line voltage (120/208/240V AC) or low voltage (24V AC).



APPLICATIONS

With its wide temperature setpoint range and selectable heating or cooling modes, the ETC can be used for a wide variety of applications including multiple compressor control, two stage heating, ventilation control, automatic changeover, condenser fan cycling, space and return air temperature control, water cooled condensers and control with alarm function.

FEATURES

- Wide setpoint temperature range (-30°F to 220°F) and differential adjustment (1°F to 30°F)
- Simple keypad programming of setpoint temperature, differential and cooling/heating modes
- Two individually programmable stages for heating and/or cooling
- LCD display readout of sensor temperature, control settings, relay status and onboard diagnostics
- LED (Light Emitting Diode) backlight to improve visibility of the display in low light ambient applications.
- IP67 rated (water and dust resistant) thermistor-based probe to remotely monitor temperature
- The sensor probe can be retrofitted in the field by the use of factory installed interconnect
- Remote temperature sensing up to 400 feet
- Two SPDT output relays
- User-selectable Fahrenheit/Celsius scales
- Lockout switch to prevent tampering by unauthorized personnel
- Choice of line voltage and low voltage models available
- Optional 0 to 10 volt analog output available for remote temperature indication

SPECIFICATIONS

Input Voltage	120 or 208/240V AC (24V AC optional), 50/60 Hz
Temperature Range	-30°F to 220°F
Differential Range	1°F to 30°F
Switch Action	SPDT
Sensor	Thermistor, 1.94 in. long x 0.25 in. diameter with 8 ft. cable, IP67 rated
Power Consumption	120/208/240V AC: 100 milliamps 24V AC: 2-6V AC

Relay Electrical Ratings

	120V	208/240V
NO Contact		
Full-load amps	9.8 A	4.9 A
Locked rotor amps	58.8 A	29.4 A
Resistive amps	9.8 A	4.9 A
Horsepower	1/2 hp	1/2 hp
NC Contact		
Full-load amps	5.8 A	2.9 A
Locked rotor amps	34.8 A	17.4 A
Resistive amps	5.8 A	2.9 A
Horsepower	1/4 hp	1/4 hp

Pilot Duty: 125 VA at 120/208/240 VAC

Control Ambient Temperature

Operating	-20°F to 140°F (-29°C to 60°C)
Storage	-40°F to 176°F (-40°C to 80°C)
Ambient Humidity	0 to 95%, RH, Non-condensing
0 to 10V Output Impedance	1K
Enclosure	NEMA 1, Plastic
Agency Approvals	UL Listed, File E94419, Guide XAPX CSA Certified, File LR68340, Class 4813 02

ETC ORDERING INFORMATION

Part Numbers	Input Voltage	No. of Stages	0 - 10 V Output
ETC-211020-000	120/240	2	No
ETC-211120-000	120/240	2	Yes
ETC-212020-000	24	2	No
ETC-212120-000	24	2	Yes

OPERATION

Liquid Crystal Display (LCD)

The LCD display provides a constant readout of the sensor temperature and indicates if either of the two output relays is energized. When the **S1** annunciator is constantly illuminated during operation, the Stage 1 relay is energized. Likewise, when the **S2** annunciator is constantly illuminated during operation, the Stage 2 relay is energized. The display is also used with the keypad to allow the user to adjust the setpoint temperatures, differentials and heating/cooling modes for each stage.

Backlight

When any of the 3 mode keys are pressed, the backlight is activated and the ETC is in control mode. Press the SET key to begin program mode.

Control Setup

The temperature setpoint refers to the temperature at which the normally open (NO) contacts of the output relay will open. Determine the loads to be controlled and the operating modes required for each stage, cooling or heating.

- When the cooling mode is chosen, the differential is above the setpoint. The relay will de-energize as the temperature falls to the setpoint.
- When the heating mode is chosen, the differential is below the setpoint. The relay will de-energize as the temperature rises to the setpoint.

The ETC two stage control can be set up for two stages of heating, two stages of cooling or one stage cooling plus one stage heating. Refer to Figures 1, 2 and 3 for a visual representations of different control setups.

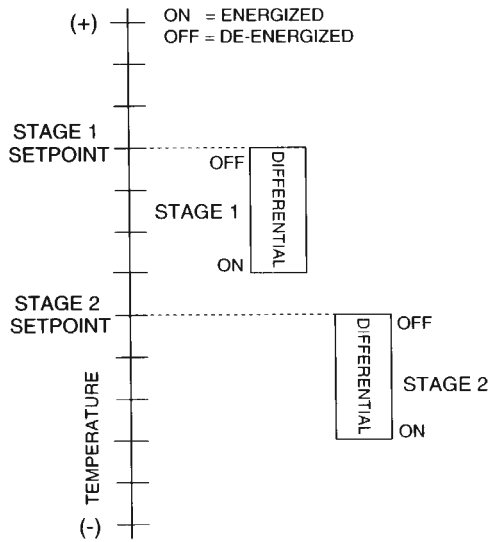


Figure 1: Two Stage Heating Example

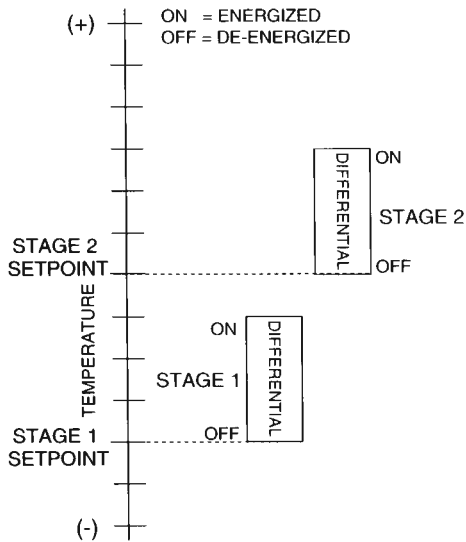


Figure 2: Two Stage Cooling Example

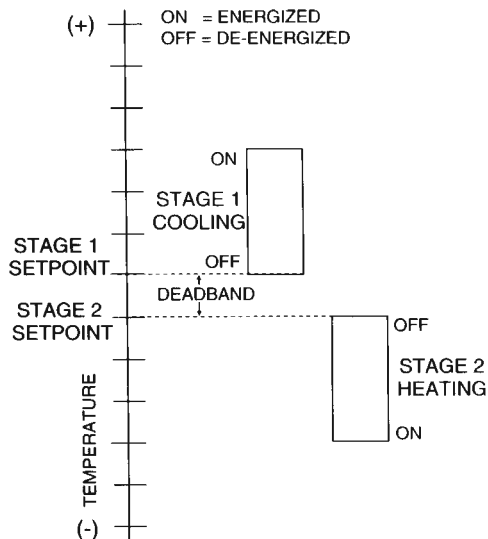


Figure 3: One Stage Cooling and One Stage Heating Example

Programming Steps and Display Mode

The ETC two stage can be programmed in seven simple steps using the LCD display and the three keys on the face of the control.

Step 1 To start programming, press the **SET** key once to access the Fahrenheit/Celsius mode. The display will show the current status, either **F** for degrees Fahrenheit or **C** for degrees Celsius. Then press either the up \uparrow or down \downarrow arrow key to toggle between the **F** or **C** designation.

Stage 1

Step 2 Press the **SET** key again to access the stage 1 setpoint. The LCD will display the current setpoint and the **S1** annunciator will be blinking on and off to indicate that the control is in the setpoint mode. Then press either the up \uparrow key to increase or the down \downarrow key to decrease the setpoint to the desired temperature.

Step 3 Press the **SET** key again to access the stage 1 differential. The LCD will display the current differential and the **DIF 1** annunciator will be blinking on and off to indicate that the control is in the differential mode. Then press either the up \uparrow key to increase or the down \downarrow key to decrease the differential to the desired setting.

Step 4 Press the **SET** key again to access the stage 1 cooling or heating mode. The LCD will display the current mode, either **C1** for cooling or **H1** for heating. Then press either the up \uparrow or down \downarrow key to toggle between the **C1** or **H1** designation.

Stage 2

Step 5 Press the **SET** key again to access the stage 2 setpoint. The LCD will display the current setpoint and the **S2** annunciator will be blinking on and off to indicate that the control is in the setpoint mode. Then press either the up \uparrow key to increase or the down \downarrow key to decrease the setpoint to the desired temperature.

Step 6 Press the **SET** key again to access the stage 2 differential. The LCD will display the current differential and the **DIF 2** annunciator will be blinking on and off to indicate that the control is in the differential mode. Then press either the up \uparrow key to increase or the down \downarrow key to decrease the differential to the desired setting.

Step 7 Press the **SET** key again to access the stage 2 cooling or heating mode. The LCD will display the current mode, either **C2** for cooling or **H2** for heating. Then press either the up \uparrow or down \downarrow key to toggle between the **C2** or **H2** designation. Press the **SET** key once more and programming is complete.

Refer to Page 3 for an illustrated guide to programming the ETC.

NOTE: The ETC will automatically end programming if no keys are depressed for a period of thirty seconds. Any settings that have been input to the control will be accepted at that point.

All control settings are retained in non-volatile memory if power to ETC is interrupted for any reason. Re-programming is not necessary after power outages or disconnects unless different control settings are required.

Step	Annunciator	Description	Display
1	F or C	Fahrenheit or Celsius Scale	
2	S1 (blinking)	Stage 1 Setpoint Temperature	
3	DIF 1 (blinking)	Stage 1 Differential Temperature	
4	C1/H1	Stage 1 Cooling or Heating Mode	
5	S2 (blinking)	Stage 2 Setpoint Temperature	
6	DIF 2 (blinking)	Stage 2 Differential Temperature	
7	C2/H2	Stage 2 Cooling or Heating Mode	

Lockout Switch

The ETC is provided with a lockout switch to prevent tampering by unauthorized personnel. When placed in the **LOCK** position, the keypad is disabled and no changes to the settings can be made. When placed in the **UNLOCK** position, the keypad will function normally.

To access the lockout switch, disconnect the power supply and open the control. The switch is located on the inside cover about 2 inches above the bottom. (see Figure 4). To disable the keypad, slide the switch to the left **LOCK** position. To enable the keypad, slide the switch to the right **UNLOCK** position. All ETC controls are shipped with this switch in the **UNLOCK** position.

TROUBLESHOOTING ERROR MESSAGES

Display Messages

- E1** Appears when either the up ↑ or down ↓ key is pressed when not in the programming mode.
To correct: If the **E1** message appears even when no keys are being pressed, replace the control.
- E2** Appears if the control settings are not properly stored in memory.
To correct: Check all settings and correct if necessary.
- EP** Appears when the probe is open, shorted or sensing a temperature that is out of range.
To correct: Check to see if the sensed temperature is out of range. If not, check for probe damage by comparing it to a known ambient temperature between -30°F and 220°F. Replace the probe if necessary.
- EE** Appears if the EEPROM data has been corrupted.
To correct: This condition cannot be field repaired. Replace the control.
- CL** Appears if calibration mode has been entered.
To correct: Remove power to the control for at least five seconds. Reapply power. If the **CL** message still appears, replace the control.

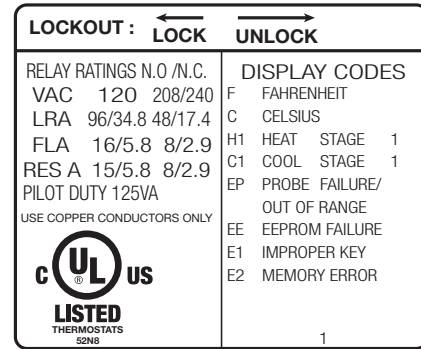


Figure 4: Lockout Switch

INSTALLATION INSTRUCTIONS

WARNING



Electrical Shock Hazard - Turn off power at the main power source before installing the ETC control. DO NOT restore electrical power to the unit until the ETC control is properly installed and cover assembled.



Fire Hazard - DO NOT locate the ETC control in an explosive atmosphere as a fire could result due to possible spark generation in the control.



All ETC Controls are designed as temperature controls and are not used as temperature limit controls.



Where failure or malfunction of the ETC control could cause personal injury or property damage, other devices (limit or safety controls) or systems (alarm or supervisory) intended to warn or protect against failure or malfunction of the ETC control must be installed.

INSTRUCTIONS CONCERNANT L'INSTALLATION

AVERTISSEMENT



Risque de choc électrique - Couper le courant à la source d'alimentation principale avant d'installer le contrôleur ETC. NE PAS rétablir l'alimentation électrique de l'appareil avant que le contrôleur ETC ne soit correctement installé et que le couvercle ne soit assemblé.



Risque d'incendie - Ne pas placer le contrôleur ETC dans une atmosphère explosive car un incendie pourrait être déclenché par d'éventuelles étincelles survenant dans le contrôleur.



Toutes les commandes de l'ETC sont conçues pour contrôler la température et ne sont pas utilisées comme témoins des limites de température.



Si une défaillance du contrôleur ETC peut causer des blessures ou des dommages matériels, d'autres dispositifs (contrôles des limites ou de la sécurité) ou des systèmes (d'alarme ou de surveillance) destinés à prévenir ou à protéger contre une défaillance ou un dysfonctionnement du contrôleur ETC, doivent être installés.



CAUTION

Read all of the information in these instructions before installing or operating the ETC control.

The schematic drawings and other information included in these installation instructions are for the purpose of illustration and general reference only.

ETC controls are not to be located in areas of significant moisture, dirt or dust as use of the control in such environment may cause personal injury or property damage and is likely to shorten the control life.

It is the responsibility of the installer and the user to assure that the application and use of the ETC control is in compliance with all applicable federal, state, and local laws, regulations and ordinances, including, without any limitation, all requirements imposed under the National Electric Code and any applicable building codes.



PRÉCAUTIONS

Lire toutes les informations contenues dans ces instructions avant d'installer ou d'utiliser le contrôleur ETC.

Les schémas et toutes les autres informations figurant dans ces instructions d'installation sont indiqués à des fins d'illustration et de référence générale seulement.

Les contrôleurs ETC ne doivent pas être placés dans des zones ayant un taux d'humidité élevé, de la saleté ou de la poussière, car l'utilisation du contrôleur dans de tels environnements peut engendrer des blessures ou des dommages matériels et est susceptible de raccourcir la durée de vie du contrôleur.

Il est de la responsabilité de l'installateur et de l'utilisateur de s'assurer que l'installation et l'utilisation du contrôleur ETC soit faites en conformité avec tous les règlements, lois, et ordonnances fédéraux, provinciaux, et locaux, y compris, sans y être limité, toutes les exigences imposées par la National Electric Code ainsi que tous les codes du bâtiment, en vigueur.

CONTROL MOUNTING

Mount the ETC to a wall or any flat surface using a combination of any two or more of the slotted holes located on the back of the control case. The control's components are not position sensitive, but should be mounted so that they can be easily wired and adjusted. Avoid excessive conditions of moisture, dirt, dust and corrosive atmosphere. The ETC has provisions for 1/2 inch conduit connections. The conduit hub should be secured to the conduit before securing the hub to the plastic housing of the control. When using the conduit entry in the rear of the case, a standard plug should be inserted into the conduit hole in the bottom. Caution should be exercised not to damage the control circuit board or wiring when installing a conduit connector.

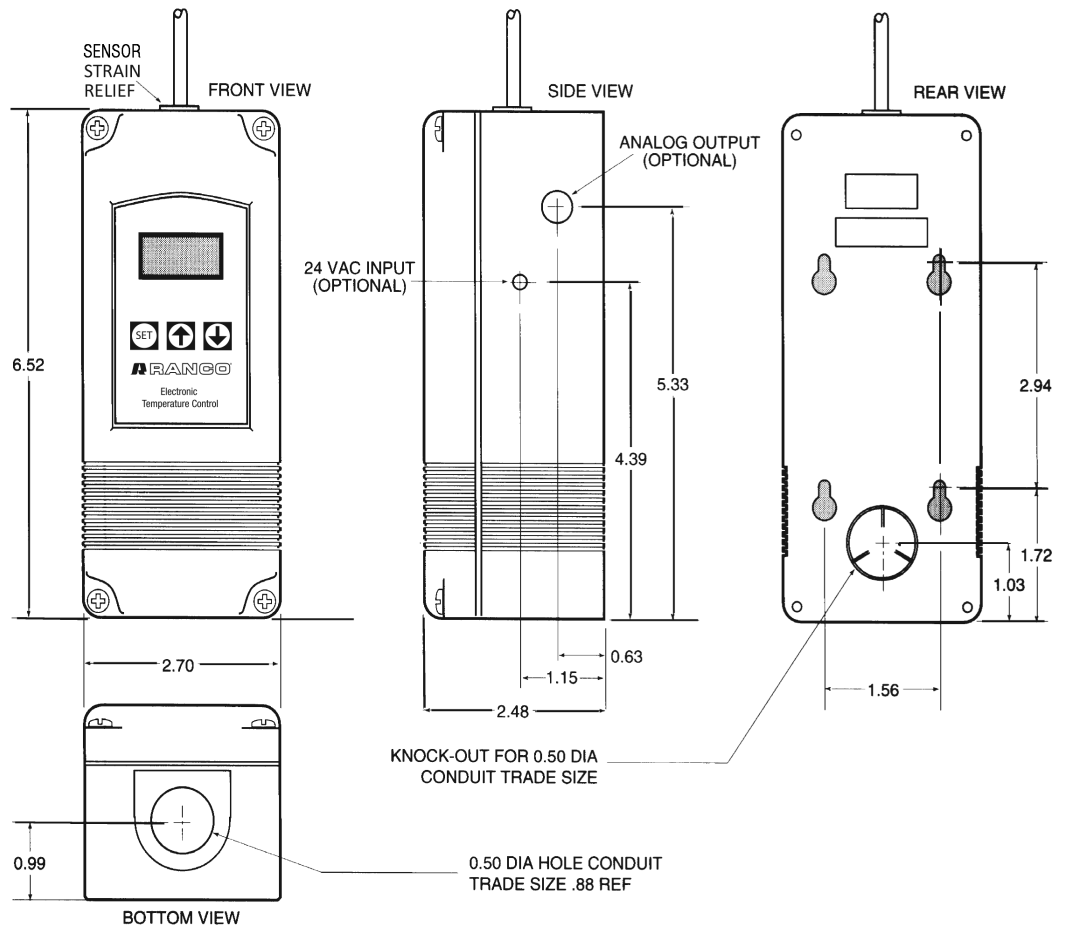


Figure 5: Dimensions (Inches)

CONTROL WIRING

General

- All wiring should conform to the National Electric Code and local regulations.
- The total electrical load must not exceed the maximum rating of the control (see Specifications).
- Use copper conductors only.
- Electrical leads should not be taut; allow slack for temperature change and vibration.

Input and Output Wiring

For typical wiring diagrams, refer to Figures 6 and 7. All connections are made to the power (lower) circuit board. When using the 24V AC powered models, the 24V AC input lines must enter through the sidewall of the case. Refer to Figure 5 for location of the entry hole.

Analog Output

ETC models are available with an optional 0 to 10 volt analog output. This signal is a linear representation of the sensor temperature with 0 volts = -30°F and 10 volts = 220°F. See figure 8 for wiring information and Figure 5 for location of the entry hole. The reference for this output is designated by the "-" symbol on the wiring diagram. The output signal is designated by the "+" symbol.

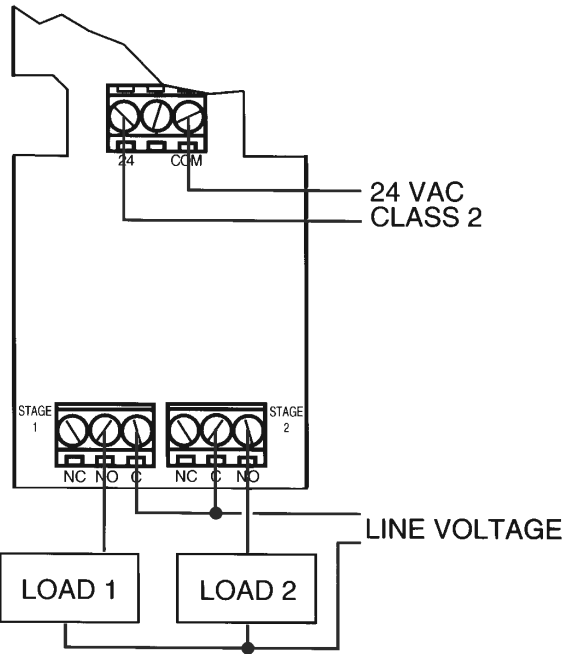


Figure 7: Typical Wiring Diagram for 24 VAC Power Input and Line Voltage Switching.

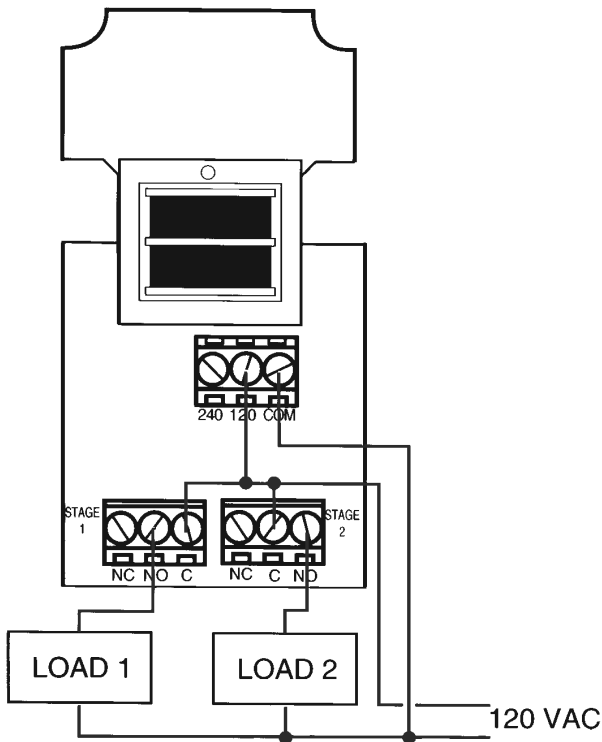


Figure 6: Typical Voltage Wiring Diagram.

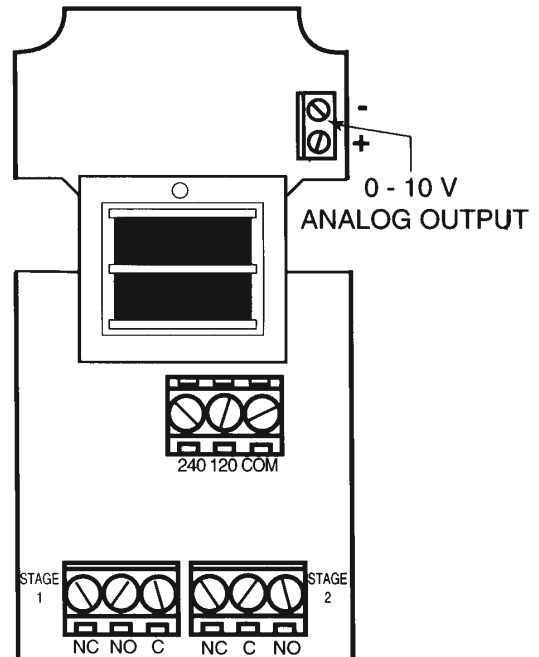


Figure 8: 0-10 V Analog Output Located on Power (Lower) Circuit Board

FIELD REPAIRS

Field calibrating or repairs to the ETC control must not be attempted. Sensors and replacement controls are available through Ranco wholesalers.

SENSOR MOUNTING

For space sensing, mount the sensor where it will be unaffected by heat/cool discharge or radiated heat sources. Spot sensing requires the sensor to be in good contact with the surface being sensed. The sensor can be inserted in a bulb well for immersion sensing.

EXTENDING SENSOR

CAUTION: Sensor wiring splices may be made external from the control.

CAUTION: Disconnect power to control before wiring to avoid possible electrical shock or damage to the controller.

Additional cable can be spliced to the sensor cable to increase the length beyond the standard 8 feet. It can be extended up to 400 feet. The cable should be at least 22 AWG or larger to keep additional resistance to a minimum.

All splices and wire lengths added to the sensor cable should be made according to acceptable wiring practices and should conform to the National Electrical Code and local regulations. Use copper conductors only. Shielded cable is not required. The sensor is not polarity sensitive.

Checkout Procedure

1. Before applying power, make sure installation and wiring connections are correct.
2. Apply power to the control and observe one or more cycles of operation.
3. If performance indicates a problem, check sensor resistance to determine if sensor or control is at fault.
4. To check sensor resistance, disconnect sensor and measure the resistance across the leads while measuring temperature at the sensor.

SENSOR REPLACEMENT



Figure 9: Sensor replacement on Display (Upper) Circuit Board.

Sensor Replacement

ETC models are available with Quick Connect Sensor feature that allows for easy sensor replacement due to damage or wear. To access the sensor connector, disconnect the power supply and open the control. Remove single screw located in the center of the Display Upper Circuit Board and carefully remove Display Board Circuit. Remove Sensor Strain Relief to allow sensor to be removed from unit. See Figure 5 for location of sensor strain relief. The sensor connection is made at the P1 Connector on the Display Upper Circuit Board. See figure 9 for connection information.

**Replacement Sensor - Order
Part No. 1309007-048**



Customer Service Telephone 1.800.304.6563
Customer Service Facsimile 1.800.426.0804
HVACCustomerService@robertshaw.com

For Technical Service
Telephone 1.800.445.8299
TechnicalService@robertshaw.com

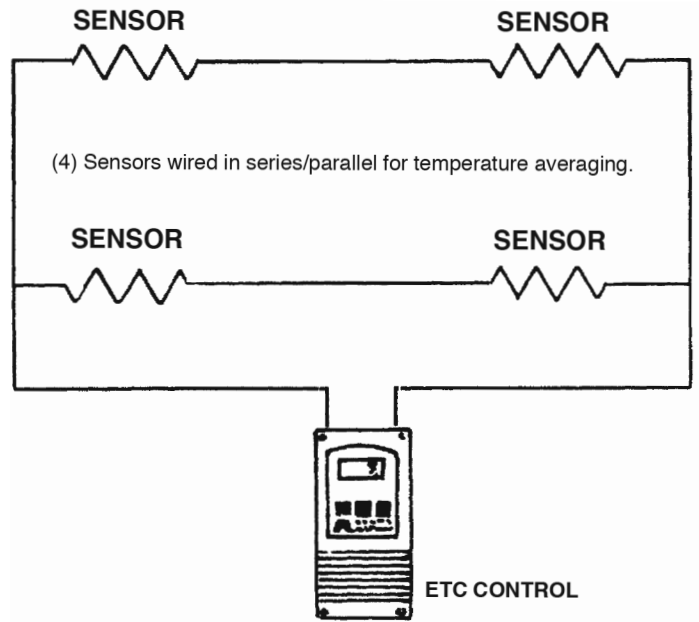


Figure 10

SPECIFICATIONS

The 1309007-048 sensor is a negative temperature coefficient (NTC) thermistor sensor. The sensor resistance decreases with temperature increase. It is .25 x 1.94 long with 8 feet #22 AWG cable. The thermistor has a reference resistance of 30,000 ohms at 77°F (25°C).

Deg. C.	Deg. F.	RES. Nom.
-40	-40	1,010,000
-30	-22	531,000
-20	-4	291,200
-10	14	166,000
0	32	97,960
10	50	59,700
20	68	37,470
25	77	30,000
30	86	24,170
40	104	15,980
50	122	10,810
60	140	7,464
70	158	5,200
80	176	3,774
90	194	2,753
100	212	2,036
110	230	1,531

Figure 11:
Resistance vs Temperature of 1309007-048.
Sensor including 8 foot cable.



Robertshaw®, Ranco®, Paragon® and Uni-Line® are trademarks of Robertshaw, its subsidiaries and/or affiliated companies. All other brands mentioned may be the trademarks of their respective owners.

www.uni-line.com
www.robertshaw.com
©2015 Robertshaw
08/15-352-00008-00